

# Section 4

## Power Monitoring and Control

### PowerLogic™ Energy and Power Management Systems 4-2

Power Monitoring Software	4-4
EcoStruxure Power Monitoring Expert Software	4-4
EcoStruxure PowerSCADA Operation	4-6
Power Quality Meters	4-7
ION9000 Series Advanced Power Quality Meters	4-7
PowerLogic ION7400 Utility Feeder Meter	4-9
PowerLogic PM8000 Advance Power Quality Meters	4-11
Power Quality Meter Selection	4-12
Power and Energy Meters	4-13
Series 5000 Power Meters	4-13
ION6200 Power and Energy Meter	4-13
Series 3500 Energy and Power Meter	4-14
PowerLogic PM3000 Power and Energy Meters	4-15
iEM3000 Energy Meters	4-16
Power and Energy Meter Selection	4-18
PowerLogic Energy Meter	4-19
PowerLogic EM4200 Enercept Meter	4-19
Multi Circuit Energy Meters	4-20
PowerLogic Branch Circuit Power Meter	4-21
PowerLogic EM4900 Series Multi-Circuit Meters	4-23
Communications	4-25
Com'X Data Loggers and Energy Servers	4-25
Link150 Ethernet Gateway	4-26
Engineering Services	4-26
Integration and Equipment	4-30
System Integration	4-30
Factory Assembled Equipment	4-30
PowerLogic High Density Metering	4-32

### Power Quality Improvement Solutions 4-33

Power Factor Correction	4-34
VarSet Standard Capacitor Banks	4-35
VarSet Detuned Capacitor Banks	4-36
VarSet Fast Capacitor Banks	4-38
VarSet Current Transformers	4-39
AccuSine PFV+ Electronic VAR Control	4-40
AccuSine Current Transformers	4-41
VarSet Hybrid	4-43
Harmonic Filtration	4-44
AccuSine PCS+ Active Harmonic Filter (AHF)	4-44
AccuSine PCSn Active Harmonic Filter (AHF)	4-45



EcoStruxure Power Monitoring Expert Software



ION9000 Power and Energy Meters



ION7550 and ION7650 Power and Energy Meters



PowerLogic PM8000 Power and Energy Meters



Ethernet Gateways



Com'X Data Loggers and Energy Servers



Vamp 321 Arc Flash Protection and Mitigation



Sepam Series 80



AccuSine PCS+ AccuSine PFV+



VarSet Low-Voltage Capacitor Banks

POWER MONITORING AND CONTROL

4

**Join the Next Generation of Power and Energy Management**  
**More performance. More intelligence. More integration.**

Our industry-leading systems offer the latest in technological advancements to help you simultaneously maximize reliability, availability, and quality, as well as improve operational and cost efficiency for your entire enterprise. You'll benefit from:

- **Holistic approach**  
Our solutions aggregate data from all your energy assets, including power, building, and process systems, into one user-friendly view so you can make more informed decisions and address problems efficiently.
- **Actionable intelligence**  
Our solutions provide real-time and historical information to multiple stakeholders anywhere in the world, including easy-to-use analytics, alarms and controls, as well as regulatory compliance and financial reporting.
- **Proactive capabilities**  
Our sophisticated products help you analyze and identify future needs so you can develop a long-term plan for things like energy purchasing, demand response, load changes, and equipment maintenance or replacement.



**Advanced Power Management**

Delivers power quality, availability, and reliability

- Maximize facility uptime by reducing power outages and ensuring back-up power generation
- Verify reliable power equipment operation and proactively optimize power networks
- Improve power reliability, availability, and quality through proactive analytics and diagnostics
- Optimize existing infrastructure capacity and avoid over-building
- Prolong asset life with proactive maintenance and optimization
- Reduce peak demand and power factor penalties with monitoring, alerts, and corrective actions
- Deliver enhanced network protection and control with data integration and automation

**Superior Energy Management**

Delivers cost and operational efficiencies

- Identify, prioritize, and verify savings through automated load management, benchmarking, and progress reporting
- Improve sustainability performance with greenhouse gas emissions tracking and industry compliance reporting
- Improve rates with energy suppliers through demand response programming
- Confirm ROI for system improvements with advanced reporting and analysis
- Identify billing discrepancies and avoid contract penalties by validating utility bills and confirming onsite generation benefits
- Encourage conservation among tenants, departments, and processes through cost allocation reporting

**Don't settle for fragmented views and unreliable data**

Maximize performance with a fully integrated power management solution

You'll benefit from our decades of expertise in electrical system management, hardware and software development, and integration. Our solutions are designed for compatibility so your installation is both optimized and more efficient. Our systems are modular and interoperable for better continuity of supply, enhanced safety for people and equipment, and more effective monitoring and control. Plus, our full range of in-person and remote services keep your system operating at peak performance.

Application

	Data Presentation & Management		Data Acquisition, Alarms & Monitoring			
	Enterprise	Online Energy Analysis	Supervisory Control & Data Acquisition	Power Monitoring System	Tenant Submetering	
	Data Centers; Industrial Buildings, Property Management, Utilities	Utilities	Water/Wastewater, Heavy Process Industry, Data Centers, Critical Power	Industrial, large commercial buildings, Military Bases, Healthcare	Commercial Buildings, Government Buildings, Military Bases	
Cost Management	Meter Application					
	Automatic Meter Reading			.	....	..
	Revenue Metering			.	....	..
	WAGES Utility Pulses				...	
	Sub-billing	...	...			....
	Measurement & Verification	....	..		...	
	Cost Allocation & Utility Billing					
	Energy Usage Analysis	....	...	.	..	.
	Procurement Optimization	..	...	.	.	
	Allocate Energy Costs	.			.	
	Interval Benchmarking & Profiling	....	...	.	..	
	Total Load Aggregation	....				
	Energy Efficiency					
	Emissions Tracking	..	...			
	Power Factor Correction	.	.		...	
	Peak Demand Reduction	..	.	...	...	
	Demand Response & Curtailment			...	...	
	Ensure Power Quality	Improve Maintenance Practices				
Commissioning & Troubleshooting				...	....	
Equipment Monitoring: transformers, MCCs, switchgear, switchboards, circuit breaker status, protective equipment, capacitors, generators, panelboards, PDU, UPS, etc.				...	....	
Facility Planning						
Identify Equipment Capacity					...	
Determine Transformer Stress					...	
Equipment Asset Optimization		..		..	...	
Improve Efficiency						
Balance Circuit Loading					...	
Balance Generator Usage					...	
Optimize Chiller & Mechanical Equipment				.		
Network Management	System Monitoring & Analysis					
	Transient Voltage Detection				....	
	Sag/Swell Disturbance Monitoring				....	
	Power Quality & Harmonic Analysis				....	
	Power Quality Compliance	....		.	...	
	Alarm & System Diagnostics					
	Electrical Distribution Alarm & Event Analysis	.		...	....	
	Waveform capture viewing				....	
Remote alarm notification			....	...		
Engineering Services	Energy Services					
	Total Energy Control Services	....	see Engineering Services, page 4-26		...	
	Peak Shaving/Generator Control			....	..	see Engineering Services, page 4-26
	Load Management/ Shedding	see Engineering Services, page 4-26		....	..	
	WAGES				...	
	Advanced Reliability Services					
	Auto Throw Over (ATO)			....	..	see Engineering Services, page 4-26
	Emergency Power Supply System Test Reporting				....	
	Sequence of Events Recording (1ms time/ stamp)	see Engineering Services, page 4-26		....	...	
	GPS Time Stamping			....	...	
	Power System Control			....	.	
	Network Protection			....	..	
	Consulting Services					
	System Studies (SC/TCC/ Arc Flash)			see Engineering Services, page 4-26		
Power System Assessments						



- Manage power quality, availability, and reliability
- Optimize use of your electrical and infrastructure assets
- Drive energy efficiency initiatives and improve financial performance

## EcoStruxure Power Monitoring Expert Software

### EcoStruxure Power Monitoring Expert

EcoStruxure™ Power Monitoring Expert is an integrated power & energy management software platform that enables you to optimize your power distribution infrastructure, maximize operational efficiency, and improve your bottom-line performance. This complete, interoperable, and scalable solution will help you

- Maximize facility uptime and reliability
- Analyze and mitigate power quality related issues
- Track and optimize equipment performance
- Analyze energy consumption, uncover savings opportunities and accurately allocate energy related costs
- Enable compliance with power quality and energy standards such as ANSI/IEEE and ISO50001

### Typical Applications

- Monitor the facility electrical network to verify reliable operation and proactively optimize performance
- Maximize facility uptime by improving response to power-related events and restore operations quickly
- Perform root cause analysis to power-related disturbances through sequence of events reporting
- Analyze and isolate the source of power quality problems
- Analyze total energy use from all electrical and piped utilities identify waste and reduce cost
- Improve sustainability performance with greenhouse gas emissions tracking and industry compliance reporting
- Identify billing discrepancies and avoid contract penalties by validating utility bills to verify accuracy
- Allocate energy costs to departments to drive accountability, awareness and support energy action programs like ISO50001
- Reduce peak demand and power factor penalties with monitoring, alerts, and corrective actions
- Negotiate rates with energy suppliers and enable participation in demand response programs
- Confirm return on investment for infrastructure improvements with advanced reporting and analysis
- Optimize existing infrastructure capacity and avoid over-building
- Prolong asset life with proactive maintenance and optimization

### Functional Components:

- Power quality analytics
  - Monitor events and waveform plotting system-wide
  - Monitor harmonics, K-factor, crest factor, symmetrical components
  - Diagnose and isolate PQ problems to increase reliability
  - Automatically detect and report on voltage disturbances
  - Quickly evaluate PQ events plotted on standard ITIC curve
- Customized real-time monitoring
  - Access real-time status of sensitive power distribution components
  - Trend chart tools with customized views to reveal patterns and anomalies quickly
- Data analytics and visualization
  - Smart dashboards with configurable presentation widgets and kiosk options
  - Powerful graphics templates and libraries
  - Automated power quality reports and waveform analysis tools
  - Comprehensive templates for energy and power reporting, with flexible report distribution options
- Alarm and event management
  - Powerful alarm triggering, notification, and analysis tools
  - Accurate time-stamped sequence of events reporting for power system event root cause analyses
- Robust technical infrastructure
  - Solid data acquisition architecture including ready-to-use communications drivers with many electrical distribution devices
  - Fully compatible with current operating systems and databases
  - Interoperable with integration to other systems and devices through open data and protocol standards (ODBC, OPC, XML, Modbus, Web/SOAP Services)
  - Scalable to thousands of metered points through flexible deployment options



### Modular Design:

Power Monitoring Expert also features many application modules that add specific functionality to extend the base platform. Available modules include

- Energy Analysis
- UPS Performance
- Breaker Performance
- Energy Cost Allocation & Billing
- Automated Generator Testing

**Segment Editions:**

Power Monitoring Expert also features segment-specific solutions for data centers, healthcare, industry and buildings, delivering pre-engineered functionality customized to meet your needs.



**EcoStruxure Power Monitoring Expert Data Center Edition**

- Decrease the number and duration of unplanned outages
- Manage power capacity and redundancy
- Improve effectiveness of maintenance activities
- Improve power distribution efficiency
- Support energy cost allocation and billing



**EcoStruxure Power Monitoring Expert Data Healthcare Edition**

- Improve energy availability
- Manage power system reliability
- Perform power quality analysis and management
- Support energy efficiency initiatives to improve financial performance



**EcoStruxure Power Monitoring Expert Data Buildings Edition**

- Ensure electrical system health
- Optimize operational efficiency
- Gain energy insight
- Improve energy accountability

Description	Catalog Number
Power Monitoring Expert Standard Edition BASE license (includes 1 Engineering Client)	PSWSANCZZSPEZZ
Power Monitoring Expert Data Center Edition BASE license (includes 1 Engineering Client)	PSWSDNCZZSPEZZ
Power Monitoring Expert Healthcare Edition BASE license (includes 1 Engineering Client)	PSWSHCNCZZSPEZZ
Power Monitoring Expert Buildings Edition BASE license (includes 1 Engineering Client)	PSWSBNCZZSPEZZ
5 Device Pack for Power Monitoring Expert software	PSWDANCZZNPEZZ
25 Device Pack for Power Monitoring Expert software	PSWDBNCZZNPEZZ
50 Device Pack for Power Monitoring Expert software	PSWDCNCZZNPEZZ
100 Device Pack for Power Monitoring Expert software	PSWDDNCZZNPEZZ
200 Device Pack for Power Monitoring Expert software	PSWDFNCZZNPEZZ
Unlimited Devices for Power Monitoring Expert software	PSWDZNCZZSPEZZ
Engineering Client for Power Monitoring Expert software	PSWCENCZZNPEZZ
Web Client for Power Monitoring Expert software	PSWCWNCZZNPEZZ
Unlimited Engineering and Web Clients for Power Monitoring Expert software	PSWCZNCZZSPEZZ
Event Notification Module for Power Monitoring Expert software	PSWVMNCZZSPEZZ
Cost Allocation & Billing Module for Power Monitoring Expert software	PSWMBNCZZSPEZZ
Breaker Performance Module for Power Monitoring Expert software	PSWVMXNCZZSPEZZ
Energy Analysis Module for Power Monitoring Expert software	PSWVMZNCZZSPEZZ
Energy Awareness Module for Power Monitoring Expert software	PSWVMYNCZZSPEZZ
UPS Performance Module for Power Monitoring Expert software	PSWVMUNCZZSPEZZ
EPSS Module for Power Monitoring Expert software (HealthCare)	PSWVMENCZZSPEZZ
Generator Performance Module for Power Monitoring Expert software (Data Centers)	PSWVMGNCZZSPEZZ
IT Billing Module for Power Monitoring Expert software (Data Centers)	PSWVMTNCZZSPEZZ
Power Capacity Module for Power Monitoring Expert software (Data Centers)	PSWVMPCZZSPEZZ
Power Efficiency Module for Power Monitoring Expert software (Data Centers)	PSWVMNCCZZSPEZZ
SQL Server 2012 License - 2 CORES	IE7SQLCZSNPEZZ



## EcoStruxure PowerSCADA Operation

- Increase uptime of power systems
- Provides accurate and actionable information in real time
- Highlights issues, remediation, and their impacts

EcoStruxure™ PowerSCADA Operation is electrical distribution network monitoring and control software that provides vital tools to enhance your power system reliability and operational efficiency. Its powerful architecture combines our proven expertise in electrical distribution with the speed and control of high-performance SCADA to reduce outages while increasing power system efficiency. An excellent fit for virtually every industry and application, PowerSCADA Operation delivers exceptional scalability so that it can grow to match your changing business requirements while driving down the total cost of ownership. Components interact seamlessly across Schneider Electric's extensive product portfolio and third party suppliers.

- Dynamic electrical network view to improve production, reduce costs and boost safety
- Highly reliable monitoring and control tailored to unique electrical network needs
- Detailed electrical information across the multi-vendor network
- Fast issue resolution and reporting to improve electrical network quality and energy use
- Report KPIs, energy costs, and filtered alarming
- Real-time visualization of the network
- Disturbance waveform views for analysis and control for remediation

For quoting and pricing, please contact PowerLogic Sales at 615-287-3535.

New!

## ION9000 Series Advanced Power Quality Meters

Web enabled PowerLogic ION9000 series meters are used to monitor electric distribution networks, service entrances and substations. It enables businesses to manage complex energy supply contracts that include power quality guarantees. Low-range current accuracy makes it ideal for independent power producers and cogeneration applications that require the accurate bi-directional measurement of energy. It is well suited to load curtailment, equipment monitoring and control and energy pulsing and totalization applications. Integrate it with Power Management Software applications. The ION9000T captures extremely fast voltage events that are missed by most other power meters, enabling advanced diagnostics and high-resolution event associations for fast, conclusive diagnosis and resolution to transient voltages.



### ION9000 Power and Energy Meter Features

PQ compliance reporting and basic PQ analysis:

- Monitors and logs parameters in support of international PQ standards
  - IEC 61000-4-30 Class A (test methods as per IEC 62586-2)
- High resolution waveform capture: triggered manually or by alarm. Captured waveforms available directly from the meter via FTP in a COMTRADE format, and viewable in the meter's web interface.
- Generates PQ compliance reports accessible via onboard web pages:
- Harmonic analysis:
  - THD and TDD per phase, min/max, custom alarming
  - Individual harmonic magnitudes and angles on voltage and current, up to the 63rd harmonic
- Disturbance detection and capture: sag/swell on any current and voltage channel, alarm on disturbance event, waveform capture with per-event information
- Patented disturbance direction detection: provides indication of the captured disturbance occurring upstream or downstream of the meter; timestamped results provided in the event log, with degree of certainty of disturbance direction
- Transient capture of events 20 microseconds or longer in duration on any voltage channel with waveform capture and per-event information
- PowerLogic ION9000T provides high-speed transient capture (HSTC) of voltage events 100 nanoseconds or longer in duration and up to 10,000 V in magnitude on voltage channels and with an alarm on the event, the ION9000T provides high-speed and disturbance waveform captures, as well as per-event statistics on each transient.

Metering precision:

- IEC 61557-12 PMD/SD/K70/0.2 and PMD/SS/K70/0.2 3000m (performance measuring and monitoring devices (PMD))
- Class 0.1S accuracy IEC 62053-22, ANSI C12.20 Class 0.1 (active energy)
- Industry leading Class 0.5S accuracy for reactive energy (IEC 62053-24)
- Cycle-by-cycle RMS measurements updated every cycle
- Full 'multi-utility' WAGES metering support
- Net metering
- Anti-tamper protection seals and hardware metrology lock

Cybersecurity:

- Security events logging with Syslog protocol support
- HTTPS secure protocol
- Ability to enable or disable any communication port and any protocol per port
- Anti-tamper protection seals and hardware metrology lock
- User accounts with strong passwords  
Used with Schneider Electric's advanced software tools, provides detailed PQ reporting across entire network:
- EN 50160 compliance report
- IEEE 519 harmonic compliance report
- IEC 61000-4-30 report
- Power quality compliance summary  
Energy reports for consumption analysis and cost management
- WAGES dashboards and reports  
Display of waveforms and PQ data from all connected meters
- Onboard web-based waveform viewer
- EcoStruxure Power Events Analysis, including alarm management, sequency of events, and root cause analysis

Data and event logging:

- Onboard data and event logging
- 2 GB of standard non-volatile memory
- No data gaps due to network outages or server downtime
- Min/max log for standard values
- 100 user-definable data logs, recording up to 16 parameters on a cycle-by-cycle or other user definable interval
- Continuous logging or snapshot, triggered by setpoint and stopped after defined duration

- Trend energy, demand and other measured parameters
- Forecasting via web pages: average, minimum and maximum for the next four hours and next four days
- Advanced time-of-use capability
- Security/event log: alarm conditions, metering configuration changes, power outages, firmware download, and user login/logout all timestamped to ±1 millisecond

Alarming and control:

- 50+ definable alarms to log critical event data, trigger waveform recording, or perform control function
- Trigger on any condition, with 1/2-cycle and 1-second response time
- Combine alarms using Boolean logic enabling customization of alarms
- Alarm notification via email
- In conjunction with Schneider Electric's EcoStruxure software, alarms, software alarms, and alarm frequency are categorized and trended enabling sequence of events and root cause analyses

**Table 4.1: Typical PowerLogic ION9000 Power and Energy Meter Ordering Configurations**

Description <sup>[1]</sup>	Catalog Number
ION9000 meter, DIN mount, no display, HW kit	<a href="#">METSEION92030</a>
ION9000 meter, DIN mount, 192 mm display, B2B adapter, HW kit	<a href="#">METSEION92040</a>
ION9000 meter, high-speed transient capture, DIN mount, no display, HW kit	<a href="#">METSEION95030</a>
ION9000 meter, high-speed transient capture, DIN mount, 192 mm display, B2B adapter, HW kit	<a href="#">METSEION95040</a>
Remote display, color LCD, 96 x 96 mm	<a href="#">METSEPM89RD96</a>
Remote display, color touchscreen, 192 x 192 mm	<a href="#">METSERD192</a>
I/O module, 2 relay outputs, 6 digital inputs	<a href="#">METSEPM89M2600</a>
I/O module, 2 analog outputs, 4 analog inputs	<a href="#">METSEPM89M0024</a>
ION9000 meter hardware kit – plugs, terminal guards, spare grounding screw, DIN clips	<a href="#">METSE9HWK</a>
RD192 remote display hardware kit	<a href="#">METSERD192HWK</a>
ION9000 B2B adapter	<a href="#">METSE9B2BMA</a>
ION9000 USB cover hardware kit	<a href="#">METSE9USBK</a>
ION9000 Current Input hardware kit – terminal screws, CT covers	<a href="#">METSE9CTHWK</a>
Battery replacement kit – ION7400/ION9000/PM8000	<a href="#">METSEPMBATK</a>
ION7x50 Mounting Adapter Kit	<a href="#">METSE7x4MAK</a>

[1] NOTE: Contact your local Schneider Electric representative for complete ordering information.





PowerLogic ION7400

### PowerLogic ION7400 Utility Feeder Meter

The PowerLogic ION7400 utility feeder meter is a highly accurate, extremely reliable power and energy meter with unmatched flexibility and usability. The meter combines accurate 3-phase energy and power measurements with data logging, power quality analysis, alarming and I/O capabilities not typically available in such a compact meter.

The panel or DIN mounted ION7400 meter is flexible enough to fit into a utility's existing billing or SCADA system, providing industry leading cost management (Class 0.2) and network management (Class S PQ) data. It is compliant with stringent international standards that guarantee their metering accuracy and power quality measurements. Ideal for installations that are responsible for maintaining the operation and profitability of a facility.

#### Applications and benefits

- Maximize profits by providing the highest output possible with the least amount of risk to availability.
- Optimize availability and reliability of electrical systems and equipment.
- Monitor power quality (PQ) for compliance and to prevent problems.
- Meters fully supported by EcoStruxure Power Monitoring Expert and PowerSCADA Operation Software.

#### Main Characteristics

- Precision metering
- PQ compliance reporting and basic PQ analysis
- Used with EcoStruxure Power Monitoring Expert software, provides detailed PQ reporting across entire network
- Onboard data and event logging
- Alarming and control
- Excellent quality: ISO 9001 and ISO 14000 certified manufacturing.

Table 4.2: PowerLogic ION7400 Meters

Description	Catalog Number
ION7400 Panel mount meter (integrated display with optical port and 2 energy pulse LEDs)	<a href="#">METSEION7400</a>
DIN rail mount - utility meter base	<a href="#">METSEION7403</a>
ION7400 Panel mount meter (integrated display with optical port and 2 energy pulse LEDs), 20-60 Vdc control power	<a href="#">METSEION7410</a>
DIN rail mount - utility meter base, 20-60 Vdc control power	<a href="#">METSEION7413</a>

Table 4.3: PowerLogic ION7400 Accessories

Description	Catalog Number
Remote display, 3 metre cable, mounting hardware for 30mm hole (nut & centering pin), mounting hardware for DIN96 cutout (92x92mm) adapter plate	<a href="#">METSEPM89RD96</a>
Digital I/O module (6 digital inputs & 2 relay outputs)	<a href="#">METSEPM89M2600</a>
Analog I/O module (4 analog inputs & 2 analog outputs)	<a href="#">METSEPM89M0024</a>
Display Cable, 10 meters	<a href="#">METSECAB10</a>



PowerLogic ION7400 showing active alarms.

PowerLogic ION7400 with harmonics display.

PowerLogic ION7400 with phasor display.

Table 4.4: PowerLogic ION7400 Features

Description		ION7400
<b>General</b>		
Use on LV and MV systems		■
Current accuracy (5A Nominal)		0.1 % reading
Voltage accuracy (90-690 V AC L-L, 50, 60, 400 Hz)		0.1 % reading
Active energy accuracy		0.2 %
Number of samples/cycle or sample frequency		256
<b>Instantaneous rms values</b>		
Current, voltage, frequency		■
Active, reactive, apparent power	Total and per phase	■
Power factor	Total and per phase	■
Current measurement range (autoranging)		0.05 - 10 A
<b>Energy values</b>		
Active, reactive, apparent energy		■
Settable accumulation modes		■
<b>Demand values</b>		
Current	Present and max. values	■
Active, reactive, apparent power	Present and max. values	■
Predicted active, reactive, apparent power		■
Synchronisation of the measurement window		■
Setting of calculation mode	Block, sliding	■
<b>Power quality measurements</b>		
Harmonic distortion	Current and voltage	■
	Via front panel and web page	63
Individual harmonics	Via EcoStruxure software	127
Waveform capture		■
Detection of voltage swells and sags		■
Flicker		■
Fast acquisition	1/2 cycle data	■
EN 50160 compliance checking		■
Customizable data outputs (using logic and math functions)		■
<b>Data recording</b>		
Min/max of instantaneous values		■
Data logs		■
Event logs		■
Trending/forecasting		■
SER (Sequence of event recording)		■
Time stamping		■
GPS synchronization (+/- 1 ms)		■
Memory (in Mbytes)		512 10 MB for Frameworks
<b>Display and I/O</b>		
Front panel display 89 mm (3.5 in.) TFT		■
Wiring self-test		■
Pulse output		1
Digital		6 in / 2 out
Analogue		4 in / 2 out
Digital or analogue outputs (max, including pulse output)		1 digital 8 relay 8 analog
<b>Communication</b>		
RS 485 port		1
10/100BaseTX		2
Serial port (Modbus, ION, DNP3)		■
Ethernet port (Modbus/TCP, ION TCP, DNP3 TCP, IEC 61850 [2])		■
USB port (mini type B)		■
ANSI C12.19 Optical port		■
<b>Standards</b>		
IEC 61000-4-30, IEC 61000-4-7, IEC 61000-4-15, IEC 61326-1, ANSI C12.20, IEC 62052-11, IEC 62053-22, CLC/TR50579		

[2] All the communication ports may be used simultaneously.



**Address power issues before they cause problems**

- Monitor harmonics to mitigate excessive heating and premature failure of transformers
- Use trending and alarming to detect fluctuations in current pull of critical equipment to prevent motor failure
- Utilize millisecond time stamping to analyze sequence of events
- Identify root cause by analyzing electrical faults with patented disturbance direction detection
- Identify power quality issues per EN 50160, including frequency inconsistency, voltage fluctuations and unbalance, and harmonic contribution
- Allocate costs for water, air, gas, electricity, and steam (WAGES) across departments, phases of industrial process, or cost centers
- Utilize time-of-use calendar to capture electrical consumption for specific times, including on/off peak and holidays

**Table 4.5: PM8000 Power and Energy Meter Catalog Numbers**

Description	Catalog Number
96 x 96 panel mount meter, LV DC power	METSEPM8210
DIN rail mount meter, LV DC power	METSEPM8213
DIN rail mount meter with remote display, LV DC power	METSEPM8214
PM8000 Panel Mount Meter with Integrated Display	METSEPM8240
PM8000 DIN Rail Mount Meter without Display	METSEPM8243
PM8000 DIN Rail Mount Meter + Remote Display	METSEPM8244
Remote Display, Color LCD, 96 x 96	METSEPM89RD96
I/O module, 2 relay outputs, 6 digital inputs	METSEPM89M2600
I/O module, 2 analog outputs, 4 analog inputs	METSEPM89M0024
Display Cable, 10 meters	METSECAB10
Display Cable, 3 meters	METSECAB3
Display Cable, 1 meters	METSECAB1
Sealing kit	METSEPM8000SK
Mounting adapter kit (ANSI 4")	METSEPM8AK
Replacement hardware kit, PM8000 meter	METSEPM8HWK
Replacement hardware kit, PM8000 remote display	METSEPM8RDHWK

**PowerLogic PM8000 Advance Power Quality Meters**

These compact meters help ensure the reliability and efficiency of your facility by making the management of power quality, availability, and reliability easy. Measure, understand, and act on insightful power and energy data gathered from your entire system.

**The best choice for power management**

PM8000 meters combine accurate 3-phase energy and power measurements with data logging, power quality analysis, alarming and I/O capabilities not typically available in such compact meters. Four-metered current inputs allow direct measurement of 3-phase currents and neutral current for enhanced view of harmonics. Dual Ethernet ports support daisy-chaining, removing need for an Ethernet switch inside power equipment, while redundant ring topology provides enhanced availability. Modular, field installable I/O provides expandable scalability. Patented ION technology combines convenient, pre-configured functionality with the ability to customize the meter configuration to meet unique requirements. This embedded capability can save the expense and complexity of additional equipment, both today and tomorrow. Plus, simple installation and networking make energy information quickly accessible, while integration with EcoStruxure™ software and your energy management system make it immediately actionable.

**Table 4.6: PM8000 Series Features**

Intermediate meter		
<b>General</b>		
Use on LV and MV systems		■
Current accuracy (5A Nominal)		0.1 % reading
Voltage accuracy (57 V LN/100 V LL to 400 V LN/690 V LL)		0.1 % reading
Active energy accuracy		0.2 %
Number of samples/cycle or sample frequency		256
<b>Instantaneous rms values</b>		
Current, voltage, frequency		■
Active, reactive, apparent power	Total and per phase	■
Power factor	Total and per phase	■
Current measurement range (autoranging)		0.05–10 A
<b>Energy values</b>		
Active, reactive, apparent energy		■
Settable accumulation modes		■
<b>Demand values</b>		
Current	Present and max. values	■
Active, reactive, apparent power	Present and max. values	■
Predicted active, reactive, apparent power		■
Synchronization of the measurement window		■
Setting of calculation mode	Block, sliding	■
<b>Power quality measurements</b>		
Harmonic distortion	Current and voltage	■
Individual harmonics	Via front panel and web page	63
	Via EcoStruxure software	127
Waveform capture		■
Detection of voltage swells and sags		■
Fast acquisition	1/2 cycle data	■
EN 50160 compliance checking		■
Customizable data outputs (using logic and math functions)		■
<b>Data recording</b>		
Min/max of instantaneous values		■
Data logs		■
Event logs		■
Trending/forecasting		■
SER (Sequence of event recording)		■
Time stamping		■
GPS synchronization (+/- 1 ms)		■
Memory (in Mbytes)		512
<b>Display and I/O</b>		
Front panel display		■
Wiring self-test		■
Pulse output		1
Digital or analog inputs(max)		27 digital 16 analog
Digital or analog outputs (max, including pulse output)		1 digital 8 relay 8 analog
<b>Communication</b>		
RS 485 port		1
Ethernet ports		2
Serial port (Modbus, ION, DNP3)		■
Ethernet port (Modbus/TCP, ION TCP, DNP3 TCP, DHCP, DNS, IPv4, IPv6, IEC 61850)		■
Ethernet gateway		■
Alarm notification via email		■
HTTP web server with waveform viewer		■
SNMP with custom MIB and traps for alarms		■
SMTP email		■
PTP and NTP time synchronization		■
FTP File transfer		■

Power Quality Meter Selection

Features [3]	ION9000	ION9000T	ION8650			ION7400	PM8000
			A	B	C		
<b>Inputs, outputs and control power</b>							
3-phase / single-phase	*/*	*/*	*/*	*/*	*/*	*/*	*/*
Digital in and out / analog in and out	46 / 24	46 / 24	16 / 4	16 / 4	16 / 4	36/24	36/24
Power supply options	AC / -	AC / -	AC/DC	AC/DC	AC/DC	AC/DC	AC/DC
<b>Power and energy measurements</b>							
Voltage, current, frequency, power factor	*	*	*	*	*	*	*
Power / Demand	*	*	*/*	*/*	*/*	*/*	*/*
Energy / time-of-use (energy per shift)	*/*	*/*	*/*	*/*	*/*	*/*	*/*
IEC / ANSI energy accuracy class (% of reading)	0.1	0.1	0.2(1)	0.2(1)	0.2(1)	0.2	0.2
Loss compensation	*	*	*	*	*	-	-
<b>Power quality analysis</b>							
EN50160 compliance reporting / IEC 61000-4-30 Class A or S	*/A	*/A	*/A	*/S	-/-	*/S	*/S
Flicker measurement	*	*	*	*	-	-	-
Transient detection duration	20 µs	100 ns	17 µs	-	-	-	-
Sag and swell monitoring / disturbance direction detection	*/*	*/*	*/-	*/-	*/-	*/*	*/*
Harmonic distortion: total/ individual / inter	*/*/*	*/*/*	*/*/*	*/*/-	*/*/-	*/*/-	*/*/-
Waveform capture	*	*	*	-	-	*	*
<b>On-board data and event logging</b>							
Trending / forecasting / billing	*/*/*	*/*/*	*/-/*	*/-/*	*/-/*	*/*/*	*/*/*
Minimum and maximum	*/*	*/*	*	*	*	*	*
Events and alarms with timestamps	*	*	*	*	*	*	*
Timestamp resolution (seconds)	0.001	0.001	0.001	0.001	0.001	0.001	0.001
Time sync: Network / GPS / IRIG-B / DCF77-B / PTP	*/*/*/*/*	*/*/*/*/*	*/*/*/-/-	*/*/*/-/-	*/*/*/-/-	*/*/*/-/-	*/*/*/-/-
<b>Setpoints, alarms and control</b>							
Log alarm conditions / call out on alarm	*/*	*/*	*/*	*/*	*/*	*/*	*/*
Trigger data logging / waveform capture	*/*	*/*	*/*	*/-	*/-	*/*	*/*
Trigger relay or digital output	*	*	*	*	*	*	*
<b>Special features</b>							
Custom programming	*	*	*	*	*	*	*
Downloadable firmware	*	*	*	*	*	*	*
<b>Communications</b>							
<b>Ports:</b>							
Ethernet: Copper / Fiber	2 / -	2 / -	*/*	*/*	*/*	2 / -	2 / -
Ethernet-to-serial gateway	*	*	*	*	*	*	*
Telephone modem	-	-	*	*	*	-	-
Modem-to-serial gateway	-	-	*	*	*	-	-
Infrared port	*	*	*	*/*	*/*	*	-
RS485/RS232	*/-	*/-	*/*	*/*	*/*	*/-	*/-
Misc: Web server / Email / SNMP / XML	*/*/*/*	*/*/*/*	*/*/-/*	*/*/-/*	*/*/-/*	*/*/*/*	*/*/*/*
Protocols: Modbus / DNP / MV-90 / DLMS	*/*/*/-	*/*/*/-	*/*/*/-	*/*/*/-	*/*/*/-	*/*/*/-	*/*/*/-
Protocols: IEC61850 / Jbus / M-Bus / LON / BACnet	*/-/-/-/-	*/-/-/-/-	*/-/-/-/-	*/-/-/-/-	*/-/-/-/-	*/-/-/-/-	*/-/-/-/-

NOTE:

1. The ION8650 is two times more accurate than the 0.2 IEC/ANSI accuracy classes according to the same conditions used to specify the 0.2 accuracy class.
2. ION8800, ION8650, ION8600, ION7650, ION7550, PM8000 also offer Modbus Master capabilities.

[3] Specifications represent maximum capabilities with all options installed. Some options are not available concurrently. This is not a complete feature list, please refer to detailed product specifications.



PM5000 Series Power Meter

### Series 5000 Power Meters

The PowerLogic PM5000 series power meters are the new benchmark in affordable, precision metering. It is the ideal fit for high-end cost management applications, providing measurement capabilities needed to allocate energy usage, perform tenant metering and sub-billing, pin-point energy savings, optimize equipment efficiency and utilization, and perform a high level assessment of the power quality in electrical networks.

All meters provide Modbus serial communications. PM5500 level meters are also capable of simultaneous Modbus TCP and BTL-certified BACnet IP communications over Ethernet.

- Panel instrumentation (OEMs)
- Sub-billing and cost allocation
- Remote monitoring of an electrical installation
- Harmonic monitoring (THD)

Table 4.7: Series 5000 Power Meters

Description	Catalog No.
Power Meter, Class 0.5 Serial Port	METSEPM5110
Meter, Class 0.5 Alarms TOU Serial Port	METSEPM5330
Power Meter, Class 0.5 Alarms TOU Ethernet Port	METSEPM5340
Power Meter Class 0.2 Serial Port and Dual Ethernet	METSEPM5560
Power Meter without Display Class 0.2 Serial Port and Dual Ethernet	METSEPM5563
Remote Display for METSEPM5563	METSEPM5RD
Power Meter with Remote Display Class 0.2 Serial Port and Dual Ethernet	METSEPM5563RD <sup>[4]</sup>



PowerLogic ION6200 Series

### ION6200 Power and Energy Meter

The modular PowerLogic ION6200 is a low-cost, ultra-compact meter that offers outstanding versatility and functionality. It is simple to use, and has a big, bright LED display. It offers four-quadrant power, demand, energy, power factor and frequency measurements, and is available in a variety of flexible configurations. It is available as a low-cost base model to which enhanced functionality can be added over the long term. The PowerLogic ION6200 is ideal for customers who need revenue-accurate and/or certified measurements and want easy integration with power distribution assemblies and building automation systems. A Megawatt version is available for applications requiring readings in megawatts and kilovolts. It is well suited for sub-metering, energy cost tracking load profiling, and substation panel metering and is an ideal replacement for analog meters. It can be used for stand-alone metering in custom panels, switchboards, switchgear, gensets, motor control centers and UPS systems.

The meter consists of a base unit with options card and a power supply pack, with a remote display being optional.

#### PowerLogic ION6200 Power and Energy Meter Features

- Only two inches deep, and fits a standard ANSI four-inch switchboard cutout, or as a TRAN model with no display and can be fastened to a flat surface with a 4" (10cm) ANSI bolt pattern or mounted to a DIN rail. A remote display module (RMD) can be ordered for the TRAN and mounted through an ANSI 4" (10cm) and DIN 96 cutout.
- LED display with twelve 3/4" (19mm) high digits that display all basic power parameters
- Pulse Outputs: optional kWh, kVARh and/or kVAh pulsing
- Via two Form A outputs
- Communications: optional RS-485 port with Modbus RTU and ION compatible
- 64 samples per cycle true RMS
- 3-phase voltage and current inputs

The standard ION6200 is available with the following: Voltage L-N average and per phase, Voltage L-L average and per phase, Current average and per phase.

Option EP#1, includes the standard measurements and provides the following additional parameters: l4, kW/mW total, kWh/mWh total, kW/mW peak, Current demand average and per phase, Current peak demand average and per phase, Power factor total.

Optional Enhanced Package, includes the standard measurements and provides the following additional parameters: kW/mW per phase, kVAR/mVAR total and per phase, kVA/mVA total and per phase, kWh/mWh and del/rec per phase, kVARh/mVARh total and del/rec per phase, kVAh/mVAh total and per phase, kW/mW demand, kVAR/mVAR demand and peak, kVA/mVA demand and peak, Power Factor per phase, Voltage THD per phase, Current THD per phase.

Table 4.8: Typical PowerLogic ION6200 Ordering Configurations

Description	Catalog No.
Integrated display, 10 A inputs, standard 100–240 Vac power supply, RS485 port (Modbus RTU), 2 pulse outputs, Enhanced Package #2	S6200A0A0B0A0B0R
TRAN Model, with remote display, 10 A inputs, standard 100–240 Vac power supply, RS485 port (Modbus RTU), 2 pulse outputs, Enhanced Package #2	S6200R1A0B0A0B0R
TRAN Model, (no display), 10 A inputs, standard 100–240 Vac power supply, RS485 port (Modbus RTU), 2 pulse outputs, Enhanced Package #2	S6200T1A0B0A0B0R

NOTE: Please refer to www.schneider-electric.us for the most complete and up-to-date list of feature availability. Some features are optional.

[4] METSEPM5563RD includes both METSEPM5563 and METSEPM5RD.



EM3500 Series Energy and Power Meter

### Series 3500 Energy and Power Meter

The EM3500 series Energy and Power Meter combines exceptional performance and easy installation to deliver a cost-effective solution for power monitoring applications. The EM3500 series can be installed on standard DIN rail or surface mounted, and has bi-directional monitoring designed expressly for renewable energy applications.

- Pulse output and phase alarms
- Data logging capability in some models
- Modbus and BACnet output options

**Table 4.9: Series 3500 Energy and Power Meters**

Description	Catalog Number
Power Meter, DIN-rail, Pulse Output Only, for LVCTs	METSEEM3502
Power Meter, DIN-rail Pulse Output Only, for METSECTR Rope CTs	METSEEM3502A
Power Meter, DIN-rail Modbus Output for LVCTs	METSEEM3550
Power Meter, DIN-rail, Modbus Output, for METSECTR Rope CTs	METSEEM3550A
Power Meter, DIN-rail Modbus Output, Bi-Directional, Logging for LVCTs	METSEEM3555
Power Meter, DIN-rail Modbus Output, Bi-Directional, Logging for METSECTR Rope CTs	METSEEM3555A
Power Meter, DIN-rail, BACnet Output, Logging for LVCTs	METSEEM3560
Power Meter, DIN-rail, BACnet Output, Logging for METSECTR Rope CTs	METSEEM3560A
Power Meter, DIN-rail, BACnet Output, for LVCTs	METSEEM3561
Power Meter, DIN-rail, BACnet Output, for METSECTR Rope CTs	METSEEM3561A

### METSECTR Series Rope-Style Current Transformers

The METSECTR series works with the EM3500A, EM4236, and iEM35xx series power and energy meters. These meters have a built in power supply and integrator, so CT connection is fast and simple. The coil opens at the connector juncton for fast and easy installaton onto an existing cable or buss-bar. The flexible core makes it easy to fit in tight enclosure

- Agency Approvals cURus, ANSI/IEEE 57.13, CE, RoHS
- Accuracy ±1% from 50 A to 5000 A
- Insulation up to 600 Vac

**Table 4.10: METSECTR Series Rope-Style Current Transformers**

Description	Catalog Number
Rogowski CT, 300 mm (12"), 600 Vac, 5 kA, U018 equivalent	METSECTR30500
Rogowski CT, 460 mm (18"), 600 Vac, 5 kA, U018 equivalent	METSECTR46500
Rogowski CT, 600 mm (24"), 600 Vac, 5 kA, U018 equivalent	METSECTR60500
Rogowski CT, 900 mm (35"), 600 Vac, 5 kA, U018 equivalent	METSECTR90500

### LVCT Series Current Transformers

LVCT current transducers provide a 0.333 V output for use with EM3500, EM4236, iEM34xx, and EM4900 series energy meters. Available in both solid and split core styles.

- Solid core accuracy ±0.5 of reading from 5% to 120% of rated current
- Split core accuracy 1% from 10% to 100% of rated current
- Leads 22 AWG, 600 Vac, UL 1015 bonded pair, 6 ft. (1.8 m) standard length

**Table 4.11: LVCT Series Current Transformers**

Description	Catalog Number
<b>Split core</b>	
Low-Voltage CT, Split Core, Size 0, 50 A:0.33 V	LVCT00050S
Low-Voltage CT, Split Core, Size 1, 100 A:0.33 V	LVCT00101S
Low-Voltage CT, Split Core, Size 2, 100 A:0.33 V	LVCT00102S
Low-Voltage CT, Split Core, Size 1, 200 A:0.33 V	LVCT00201S
Low-Voltage CT, Split Core, Size 2, 200 A:0.33 V	LVCT00202S
Low-Voltage CT, Split Core, Size 2, 300 A:0.33 V	LVCT00302S
Low-Voltage CT, Split Core, Size 3, 400 A:0.33 V	LVCT00403S
Low-Voltage CT, Split Core, Size 3, 600 A:0.33 V	LVCT00603S
Low-Voltage CT, Split Core, Size 3, 800 A:0.33 V	LVCT00803S
Low-Voltage CT, Split Core, Size 4, 800 A:0.33 V	LVCT00804S
Low-Voltage CT, Split Core, Size 4, 1000 A:0.33 V	LVCT01004S
Low-Voltage CT, Split Core, Size 4, 1200 A:0.33 V	LVCT01204S
Low-Voltage CT, Split Core, Size 4, 1600 A:0.33 V	LVCT01604S
Low-Voltage CT, Split Core, Size 4, 2000 A:0.33 V	LVCT02004S
Low-Voltage CT, Split Core, Size 4, 2400 A:0.33 V	LVCT02404S
<b>Solid core</b>	
Low-Voltage CT, Solid Core, Size 0, 50 A:0.33 V	LVCT20050S
Low-Voltage CT, Solid Core, Size 0, 100 A:0.33 V	LVCT20100S
Low-Voltage CT, Solid Core, Size 2, 200 A:0.33 V	LVCT20202S
Low-Voltage CT, Solid Core, Size 3, 400 A:0.33 V	LVCT20403S



PM3000 Series Power Meter

### PowerLogic PM3000 Power and Energy Meters

PM3000 series power meters are a cost-attractive, feature-rich range of DIN rail-mounted power meters that offers all the measurement capabilities required to monitor an electrical installation. Ideal for power metering and network monitoring applications that seek to improve the availability and reliability of your electrical distribution system, the meters are also fully capable of supporting sub billing and cost allocation applications. Four different models are available. Choose from models that provide Display Only, Display + Pulse Output, Display + Modbus, and Display + Modbus + DI/DO + Logging. All models use 1A/5A CTs.

Table 4.12: PM3000 Features

Available Features	PM3200 Range			
	PM3200	PM3210	PM3250	PM3255
<b>Performance Standard</b>				
IEC61557-12 PMD/Sx/K55/0.5	•	•	•	•
<b>General</b>				
Use on LV and HV systems	•	•	•	•
Number of samples per cycle	32	32	32	32
CT input 1A/5A	•	•	•	•
VT input	•	•	•	•
Multi-tariff	4	4	4	4
Multi-lingual backlit display	•	•	•	•
<b>Instantaneous rms Values</b>				
Current, voltage Per phase and average	•	•	•	•
Active, reactive, apparent power Total and per phase	•	•	•	•
Power factor Total and per phase	•	•	•	•
<b>Energy Values</b>				
Active, reactive and apparent energy; import and export	•	•	•	•
<b>Demand Values</b>				
Current, power (active, reactive, apparent) demand; present	•	•	•	•
Current, power (active, reactive, apparent) demand; peak	•	•	•	•
<b>Power Quality Measurements</b>				
THD Current and voltage		•	•	•
<b>Data Recording</b>				
Min/max of the instantaneous values	•	•	•	•
Power demand logs				•
Energy consumption log (day, week, month)				•
Alarms with time stamping		5	5	15
Digital inputs/digital outputs		0/1		2/2
<b>Communication</b>				
RS-485 port			•	•
Modbus protocol			•	•

Table 4.13: PM3000 Series Power Meters

Description	Catalog Number
PM3200 3PH energy meter, DIN rail mount, 1A or 5A CT, Class 0.5S, no communications, MID compliant	METSEPM3200
PM3210 3PH energy meter, DIN rail mount, 1A or 5A CT, Class 0.5S, pulse out, MID compliant, THD, one (1) DO	METSEPM3210
PM3250 3PH energy meter, DIN rail mount, 1A or 5A CT, Class 0.5S, Modbus, THD	METSEPM3250
PM3255 3PH energy meter, DIN rail mount, 1A or 5A CT, Class 0.5S, Modbus, MID compliant, THD, two (2) DI, two (2) DO	METSEPM3255



iEM3000 Series Energy Meter

**NOTE:**

- For meter part number replace “i” in model name with “A9M”. (Example: iEM3150 = A9MEM3150)
- DIN rail housing size is 18mm x 5 width. (iEM33xx is 18mm x 7 width.)
- Digital input is selectable for Tariff control or WAGES
- Digital output is selectable for kWh pulse or kWh alarm. (iEM3x10 is kWh pulse only.)

**Measurement parameters**

- Total and partial kWh shows consumption behavior
- Four-quadrant metering differentiates energy consumption
- Target green technologies (delivered/received)
- Reduce utility penalties (active/reactive)
- Additional parameters (P, Q, S, 3xI, V, PF, F) to monitor network balance and overload behavior

**Smart Alarm**

- kW overload alarm helps prevent utility demand charges

**iEM3000 Energy Meters**

The economical iEM3000 energy meters are ideal for helping facilities become more energy efficient. These feature-rich meters reduce installation and commissioning costs thanks to their efficient design and include native support for a variety of protocols, including Modbus, BACnet, LON, and M-Bus, for seamless integration into networks. Choose from models supporting a variety of current-sensing methods, including standard 1A/5A current transformers, 0.333 V low-voltage CTs, and METSECTR Rogowski coils. There are also direct connect models with internal current sensors that save installation time. The compact size is ideal for new and retrofit installations. Whether metering for energy awareness, billing, or advanced energy programs requiring full-featured, multi-tariff energy meters, there is an iEM3000 meter that fits the application.

**Table 4.14: iEM3000 Features**

Function	Acti 9 iEM3000 Series Three-Phase Meters						
<b>Current Input / Accuracy</b>							
63A Direct / Class 1	iEM3100	iEM3110	iEM3135	iEM3150	iEM3155	iEM3165	iEM3175
1A or 5A CT / Class 0.5S	iEM3200	iEM3210	iEM3235	iEM3250	iEM3255	iEM3265	iEM3275
125A Direct / Class 1	iEM3300	iEM3310	iEM3335	iEM3350			
0.333V or 1.0V LVCT / Class 0.5S					iEM3455	iEM3465	
Rogowski coil / Class 0.5S					iEM3555	iEM3565	
<b>Protocol</b>							
M-Bus			•				
Modbus				•	•		
BACnet						•	
LonWorks							•
<b>Measurement</b>							
MID compliant		•	•		•	•	•
4 quadrant energy			•		•	•	•
Demand					[5]	[5]	
Peak demand					[5]	[5]	
<b>Multi Tariff</b>							
Internal clock			4		4	4	4
External control			2		4	4	4
<b>Digital I/O</b>							
Number of inputs/outputs		-1	1/1		1/1	1/1	1/1

**Multiple Tariffs**

- Save up to four different time slots to manage multiple tariffs (peak/off-peak, workday/weekend)
- Control tariffs via digital inputs, internal clock, or communication

**Digital Inputs**

- Use the meter as a pulse counter for another meter (WAGES monitoring)
- Manage double-source applications (e.g., utility main plus on-site generator)
- Monitor circuit breaker status or cabinet door opening

**Digital Outputs**

- Use to trip a light or sound an alarm
- Configure as a pulse output

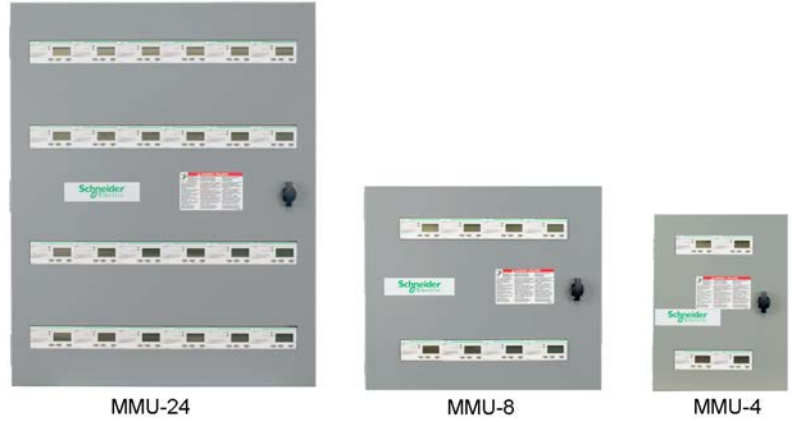
**Table 4.15: iEM3000 Series Energy Meters**

Description	Catalog Number
iEM3100 3PH energy meter, DIN rail mount, direct connect 63A, Class 1	A9MEM3100
iEM3110 3PH energy meter, DIN rail mount, direct connect 63A, Class 1, pulse out, MID, one (1) DO	A9MEM3110
iEM3135 3PH energy meter, DIN rail mount, direct connect 63A, Class 1, M-Bus, MID, 4-quadrant energy, one (1) DI, one (1) DO	A9MEM3135
iEM3150 3PH energy meter, DIN rail mount, direct connect 63A, Class 1, Modbus	A9MEM3150
iEM3155 3PH energy meter, DIN rail mount, direct connect 63A, Class 1, Modbus, MID, 4-quadrant energy, one (1) DI, one (1) DO	A9MEM3155
iEM3165 3PH energy meter, DIN rail mount, direct connect 63A, Class 1, BACnet, MID, 4-quadrant energy, one (1) DI, one (1) DO	A9MEM3165
iEM3175 3PH energy meter, DIN rail mount, direct connect 63A, Class 1, LON, MID, 4-quadrant energy, one (1) DI, one (1) DO	A9MEM3175
iEM3200 3PH energy meter, DIN rail mount, 1A or 5A CT, Class 0.5S	A9MEM3200
iEM3210 3PH energy meter, DIN rail mount, 1A or 5A CT, Class 0.5S, pulse out, MID one (1) DO	A9MEM3210
iEM3235 3PH energy meter, DIN rail mount, 1A or 5A CT, Class 0.5S, M-Bus, MID, 4-quadrant energy, one (1) DI, one (1) DO	A9MEM3235
iEM3250 3PH energy meter, DIN rail mount, 1A or 5A CT, Class 0.5S, Modbus	A9MEM3250
iEM3255 3PH energy meter, DIN rail mount, 1A or 5A CT, Class 0.5S, Modbus, MID, 4-quadrant energy, one (1) DI, one (1) DO	A9MEM3255
iEM3265 3PH energy meter, DIN rail mount, 1A or 5A CT, Class 0.5S, BACnet, MID, 4-quadrant energy, one (1) DI, one (1) DO	A9MEM3265
iEM3275 3PH energy meter, DIN rail mount, 1A or 5A CT, Class 0.5S, LON, MID, 4-quadrant energy, one (1) DI, one (1) DO	A9MEM3275
iEM3300 3PH energy meter, DIN rail mount, direct connect 125A, Class 1	A9MEM3300
iEM3310 3PH energy meter, DIN rail mount, direct connect 125A, Class 1, pulse out, MID, one (1) DO	A9MEM3310
iEM3335 3PH energy meter, DIN rail mount, direct connect 125A, Class 1, M-Bus, MID, 4-quadrant energy, one (1) DI, one (1) DO	A9MEM3335
iEM3350 3PH energy meter, DIN rail mount, direct connect 125A, Class 1, Modbus	A9MEM3350
iEM3355 3PH energy meter, DIN rail mount, direct connect 125A, Class 1, Modbus, MID, 4-quadrant energy, one (1) DI, one (1) DO	A9MEM3355
iEM3365 3PH energy meter, DIN rail mount, direct connect 125A, Class 1, BACnet, MID, 4-quadrant energy, one (1) DI, one (1) DO	A9MEM3365
iEM3375 3PH energy meter, DIN rail mount, direct connect 125A, Class 1, LON, MID, 4-quadrant energy, one (1) DI, one (1) DO	A9MEM3375
iEM3455 3PH energy meter, DIN rail mount, LVCT, Class 0.5S, Modbus, MID, 4-quadrant energy, one (1) DI, one (1) DO	A9MEM3455
iEM3465 3PH energy meter, DIN rail mount, LVCT, Class 0.5S, BACnet, MID, 4-quadrant energy, one (1) DI, one (1) DO	A9MEM3465
iEM3555 3PH energy meter, DIN rail mount, Rogowski coil, Class 0.5S, Modbus, MID, 4-quadrant energy, one (1) DI, one (1) DO	A9MEM3555
iEM3565 3PH energy meter, DIN rail mount, Rogowski coil, Class 0.5S, BACnet, MID, 4-quadrant energy, one (1) DI, one (1) DO	A9MEM3565

[5] Available on iEM3455, iEM3465, iEM3555, iEM3565 models only



Multiple Meter Unit Enclosures for iEM3000 Energy Meters



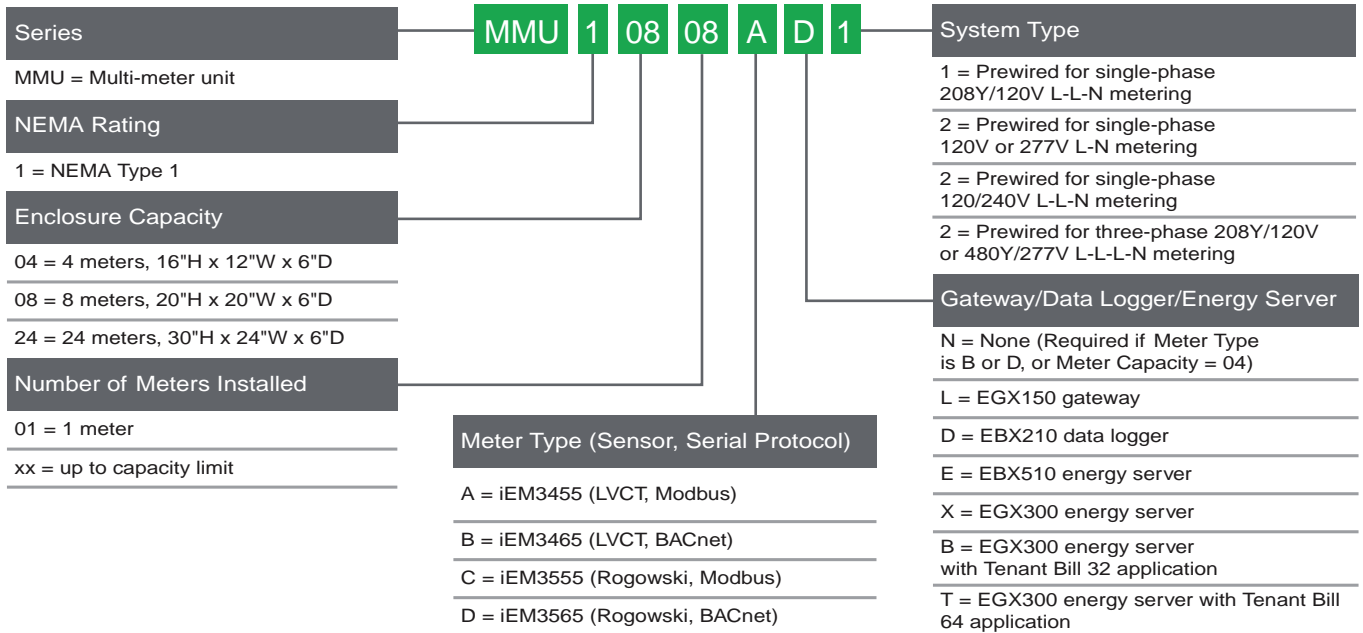
Schneider Electric's Multi-Meter Unit (MMU) enclosures are the ideal complement for the iEM3000 Series of energy meters. This compact solution saves wall space and is scalable for the exact number of meters required. Factory-assembled, pre-wired, and tested enclosures can speed installation, reduce the amount of field wiring, and save time troubleshooting.

Multi-meter unit enclosures and iEM3000 meters provide the highest quality, best value hardware for tenant sub-metering, and are designed for contractor convenience and simplicity.

MMU enclosures are available in three sizes:

- Small MMU enclosures with capacity for up to 4 iEM3000 meters.
- Medium size MMU enclosures with capacity for up to 8 iEM3000 meters, plus one gateway/data logger/energy server.
- Extra-large MMU enclosures with capacity for up to 24 iEM3000 meters, plus one gateway/ data logger/energy server.

Multi meter units are configured to order as described below.



Power and Energy Meter Selection

Features [6]	PM5110	PM5330	PM5340	PM5500	ION6200	EM3500	PM3000	iEM3000
<b>Inputs, outputs and control power</b>								
3-phase / single-phase	•/•	•/•	•/•	•/•	•/•	•/•	•/•	•/•
Digital in and out / analog in and out	1/0	4/0	4/0	6/0	2/-	2 or 3/0	up to 2/2	up to 1/1
Power supply options	AC/DC	AC/DC	AC/DC	AC/DC	AC/DC	AC/DC	AC/DC	AC
<b>Power and energy measurements</b>								
Voltage, current, frequency, power factor	•	•	•	•	•	•	•	•
Power / Demand	•/•	•/•	•/•	•/•	•/•	•/•	•/•	•/•
Energy / time-of-use (energy per shift)	•/-	•/•	•/•	•/•	•/•	-/-	•/•	•/•
IEC / ANSI energy accuracy class (% of reading)	0.5	0.5	0.5	0.2	0.5	0.2	0.5	0.5
Loss compensation	-	-	-	-	-	-	-	-
<b>Power quality analysis</b>								
EN50160 compliance reporting / IEC 61000-4-30 Class A or S	-/-	-/-	-/-	-/-	-/-	-/-	-/-	-/-
Flicker measurement	-	-	-	-	-	-	-	-
Transient detection duration	-	-	-	-	-	-	-	-
Sag and swell monitoring / disturbance direction detection	-/-	-/-	-/-	-/-	-/-	-/-	-/-	-/-
Harmonic distortion: total/ individual / inter	•/•/-	•/•/-	•/•/-	•/•/-	•/•/-	-/-/-	•/•/-	-/-/-
Waveform capture	-	-	-	-	-	-	-	-
<b>On-board data and event logging</b>								
Trending / forecasting / billing	-/-/-	-/-/-	-/-/-	-/-/-	-/-/-	-/-/-	-/-/-	-/-/-
Minimum and maximum	•	•	•	•	-	-	•	-
Events and alarms with timestamps	-	•	•	•	-	-	•	-
Timestamp resolution (seconds)	1	1	1	1	-	1	1	-
Time sync: Network / GPS / IRIG-B / DCF77-B	-/-/-/-	-/-/-/-	-/-/-/-	-/-/-/-	-/-/-/-	-/-/-/-	-/-/-/-	-/-/-/-
<b>Setpoints, alarms and control</b>								
Log alarm conditions / call out on alarm	-/-	•/•	•/•	•/•	-/-	-/-	•/-	-
Trigger data logging / waveform capture	-/-	-/-	-/-	-/-	-/-	-/-	-/-	-/-
Trigger relay or digital output	-	•	•	•	-	-	•	•
<b>Special features</b>								
Custom programming	-	-	-	-	-	-	-	-
Downloadable firmware	•	•	•	•	-	-	-	-
<b>Communications</b>								
Ports:								
Ethernet: Copper / Fiber	-/-	-/-	1/-	2/-	-/-	-/-	-/-	-/-
Ethernet-to-serial gateway	-	-	-	•	-	-	-	-
Telephone modem	-	-	-	-	-	-	-	-
Modem-to-serial gateway	-	-	-	-	-	-	-	-
Infrared port	-	-	-	-	-	-	-	-
RS485/RS232	•/-	•/-	-/-	•/-	•/-	•/-	•/-	•/-
Misc: Web server / Email / SNMP / XML	-/-/-/-	-/-/-/-	-/-/-/-	•/-/-/-	-/-/-/-	-/-/-/-	-/-/-/-	-/-/-/-
Protocols: Modbus / DNP / MV-90 / DLMS	•/-/-/-	•/-/-/-	•/-/-/-	•/-/-/-	•/-/-/-	•/-/-/-	•/-/-/-	•/-/-/-
Protocols: IEC61850 / Jbus / M-Bus / LON / BACnet	-/-/-/-/-	-/-/-/-/-	-/-/-/-/-	-/-/-/-/•	-/-/-/-/-	-/-/-/-/•	-/-/-/-/-	-/-/•/•/•

4 POWER MONITORING AND CONTROL

[6] Specifications represent maximum capabilities with all options installed. Some options are not available concurrently. This is not a complete feature list, please refer to detailed product specifications.



Energy Meter

Table 4.16: Basic 120/240 V to 208Y/120 V

Description	Catalog No.
Basic 100 A, .518"x1.28" ID, 1 CT	EMB1010
Basic 200 A, 0.75" x 1.10" ID, 1 CT	EMB1021
Basic 300 A, .90"x1.90" ID, 1 CT	EMB1032
Basic 100 A, .518"x1.28" ID, 2 CTs	EMB2010
Basic 200 A, 0.75" x 1.10" ID, 2 CTs	EMB2021
Basic 300 A, .90"x1.90" ID, 2 CTs	EMB2032
Basic 400 A, 2.45"x2.89" ID, 2 CTs	EMB2043
Basic 800 A, 2.45"x2.89" ID, 2 CTs	EMB2083
Basic 100 A, .518"x1.28" ID, 3 CTs	EMB3010
Basic 200 A, 0.75" x 1.10" ID, 3 CTs	EMB3021
Basic 300 A, .90"x1.90" ID, 3 CTs	EMB3032
Basic 400 A, 2.45"x2.89" ID, 3 CTs	EMB3043
Basic 800 A, 2.45"x2.89" ID, 3 CTs	EMB3083
Basic 800 A, 2.45"x5.50" ID, 3 CTs	EMB3084
Basic 1600 A, 2.45"x5.50" ID, 3 CTs	EMB3164

Table 4.18: Energy Meter Accessories

Description	Catalog No.
Energy Meter Communication Board [7]	EMCB
Energy Meter Fuse Pack, Set of 1	EMFP1
Energy Meter Fuse Pack, Set of 2	EMFP2
Energy Meter Fuse Pack, Set of 3	EMFP3
Energy Meter Bonding Kit	EMBOND



EM4200 Flex Power Meter



EM4200 System Calibrated with Calibrated Rogowski Coils

## PowerLogic Energy Meter

The Energy Meter is ideal for stand-alone and systems-based submetering applications. It is easy to install and provides exceptional metering accuracy. Available in Basic and Extended Range models. The Basic model is designed for metering of 120/240 and 208Y/120 volt services. The Extended Range model will meter 120/240 volt up to 480 volt Wye connected services. Extended Range meters come with pulse output and phase loss output not available on the Basic unit. Optional Modbus™ RS-485 serial communications are provided with the Energy Meter Comms Board, EMCB. Optional kW demand is also provided by the EMCB.

Meter up to 3 individual services with one Energy Meter. The Energy Meter will allow the addition of up to 3 sets of parallel CTs for metering multiple electric loads. Additional sets of CTs can be ordered separately. Please refer to the multiple CT application notes in the Energy Meter instruction bulletin for the proper installation procedures.

Table 4.17: Extended Range 120/240 V to 480Y/277 V

Description	Catalog No.
Extended Range 100 A, .518"x1.28" ID, 1 CT	EME1010
Extended Range 200 A, 0.75" x 1.10" ID, 1 CT	EME1021
Extended Range 300 A, .90"x1.90" ID, 1 CT	EME1032
Extended Range 100 A, n.518"x1.28" ID, 2 CTs	EME2010
Extended Range 200 A, 0.75" x 1.10" ID, 2 CTs	EME2021
Extended Range 300 A, .90"x1.90" ID, 2 CTs	EME2032
Extended Range 400 A, 2.45"x2.89" ID, 2 CTs	EME2043
Extended Range 800 A, 2.45"x2.89" ID, 2 CTs	EME2083
Extended Range 100 A, .518"x1.28" ID, 3 CTs	EME3010
Extended Range 200 A, 0.75" x 1.10" ID, 3 CTs	EME3021
Extended Range 300 A, .90"x1.90" ID, 3 CTs	EME3032
Extended Range 400 A, 2.45"x2.89" ID, 3 CTs	EME3043
Extended Range 800 A, 2.45"x2.89" ID, 3 CTs	EME3083
Extended Range 800 A, 2.45"x5.50" ID, 3 CTs	EME3084
Extended Range 1600 A, 2.45"x5.50" ID, 3 CTs	EME3164

Table 4.19: Additional CT Sets

Description	Catalog No.
100 A, .518" x 1.28" ID, 1 CT	EMCT010
200 A, 0.75" x 1.10" ID, 1 CT	EMCT021
300 A, .90" x 1.90" ID, 1 CT	EMCT032
400 A, 2.45" x 2.89" ID, 1 CT	EMCT043
800 A, 2.45" x 2.89" ID, 1 CT	EMCT083
800 A, 2.45" x 5.50" ID, 1 CT	EMCT084
1600 A, 2.45" x 5.50" ID, 1 CT	EMCT164

**NOTE:** CT quantity and amperage must match meter model. Total of combined loads must not exceed rating of meter. All additional CTs shipped with 6 ft. white and black color-coded wire leads.

## PowerLogic EM4200 Enercept Meter

Next generation Enercept meters provide a unique solution for measuring energy data. The small form factor enables retrofit installation in existing panels to save wall space, installation time, and material cost.

Designed to simplify the ordering process, the meter is available in two major options:

- **System calibrated Enercept** offers the simplest way to order. The meter comes with pre-mounted low voltage (LVCT) or Rogowski coil current transducers, as well as pre-mounted fuse packs. Ordering one part number provides a system calibrated 1% overall accuracy metering system for 100 A, 200 A, 400 A, or 5,000 A range applications.
- **Enercept Flex** offers the flexibility required for many sites where selecting the type and size of current transducer is desired. The Enercept Flex is compatible with the current transducers on . Choose split core or solid core LVCTs from [Table 4.11 LVCT Series Current Transformers, page 4-14](#), or rope style current transducers from [Table 4.10 METSECTR Series Rope-Style Current Transformers, page 4-14](#). Choose fuse packs from [Table 4.18 Energy Meter Accessories, page 4-19](#).

### Features

- Uni- and bi-directional metering to support to power generation application
- Data logging
- Modbus and BACnet serial communication with auto-protocol and baud rate detection.
- Configurable with or without power
- Compact size for easy in-panel mounting, DIN rail or screw mount options, includes mounting brackets for easy installation
- Seamless integration with EcoStruxure™ Power Management software products.
- Wide 90 to 480 Vac input range
- High reliability with ANSI C12.20 0.2% accuracy, IEC 62053-22 Class 0.2S (EM4236)

[7] Energy Meter communication board (EMCB) can be used with all models of the Energy Meter. Order one EMCB for each Energy Meter where either kW demand and/or communication is specified.

Table 4.20: EM4200 Enercept Meter

Description	Catalog Number
Enercept Flex power meter, Class 0.2S, Modbus/BACnet RS485, ANSI wire code, compatible with LVCT and Rogowski coils, order current transducers and fuse packs separately	METSEEM4236
System calibrated Enercept power meter, Modbus/BACnet RS485, ANSI wire code, includes 12-inch length Rogowski coil current transducers for up to 5,000 A and fuse packs	METSEEM4236A12
System calibrated Enercept power meter, Modbus/BACnet RS485, ANSI wire code, includes 18-inch length Rogowski coil current transducers for up to 5,000 A and fuse packs	METSEEM4236A18
System calibrated Enercept power meter, Modbus/BACnet RS485, ANSI wire code, includes LVCT current transducers for up to 100 A and fuse packs	METSEEM4236B101
System calibrated Enercept power meter, Modbus/BACnet RS485, ANSI wire code, includes LVCT current transducers for up to 200 A and fuse packs	METSEEM4236B201
System calibrated Enercept power meter, Modbus/BACnet RS485, ANSI wire code, includes LVCT current transducers for up to 400 A and fuse packs	METSEEM4236B401

### Multi Circuit Energy Meters

The PowerLogic EM4800 and EM4000 multi-circuit energy meters combine accurate electricity sub-metering with advanced communications technology. They are ideal for multi-tenant or departmental metering and M&V applications within office towers, condominiums, apartment buildings, shopping centers and other multipoint environments, or small footprint retail. This meter is available separately or as part of a Square D integrated power center (IPC) for use in building retrofits or new construction.

Each compact multipoint meter provides energy measurement for up to 24 (1CT) or 12 (2CT) single-phase circuits or 8 (3CT) 3-phase circuits. Select a model to match the desired CT type. The 0.333 V output CT option does not require shorting blocks, making it the ideal choice for retrofit installations.

All meters have an accuracy of Class 0.5%, have onboard interval logging, and feature flexible communication options with an Ethernet port that supports multiple protocols: Modbus TCP/IP, HTTP, BACnet/IP, FTP, and SNMP. EM4800 series meters have a V.90 modem while EM4000 series meters provide Modbus RTU over RS-485.

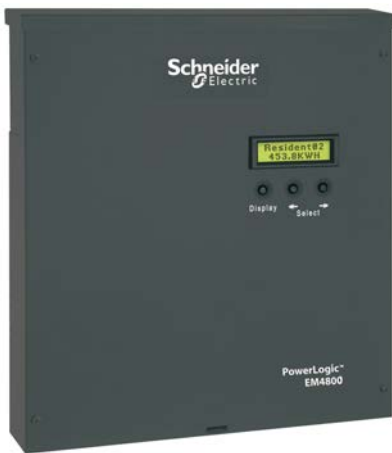


Table 4.21: Multi Circuit Energy Meters

Description	Catalog No.
EM4800 series; Ethernet; modem; compatible with 80mA low-power CTs; 120V control power 60 Hz	METSEEM488016
EM4800 series; Ethernet; modem; compatible with 333mV low-power CTs; 120V control power 60 Hz	METSEEM483316
EM4800 series; Ethernet; modem; compatible with standard 5A CTs; 120V control power 60 Hz	METSEEM480516
EM4000 series; Ethernet; Modbus RTU over RS-485; compatible with 80mA low-power CTs; 120V control power 60 Hz	METSEEM408016
EM4000 series; Ethernet; Modbus RTU over RS-485; compatible with 80mA low-power CTs; 277V control power 60 Hz	METSEEM408036
EM4000 series; Ethernet; Modbus RTU over RS-485; compatible with 333mV low-power CTs; 120V control power 60 Hz	METSEEM403316
EM4000 series; Ethernet; Modbus RTU over RS-485; compatible with 333mV low-power CTs; 277V control power 60 Hz	METSEEM403336
200 A current transformer (CT), 80 mA secondary, solid-core (1 CT)	METSECT80200
400 A current transformer (CT), 80 mA secondary, solid-core (1 CT)	METSECT80400
600 A current transformer (CT), 80 mA secondary, solid-core (1 CT)	METSECT80600
50 A .333 V Split Core Current Transformer with 0.75 in Window Size	ECT075050SC
100 A .333 V Split Core Current Transformer with 0.75 in Window Size	ECT075100SC
150 A .333 V Split Core Current Transformer with 0.75 in Window Size	ECT075150SC
200 A .333 V Split Core Current Transformer with 0.75 in Window Size	ECT075200SC
100 A .333 V Split Core Current Transformer with 1.25 in Window Size	ECT125100SC
150 A .333 V Split Core Current Transformer with 1.25 in Window Size	ECT125150SC
200 A .333 V Split Core Current Transformer with 1.25 in Window Size	ECT125200SC
400 A .333 V Split Core Current Transformer with 1.25 in Window Size	ECT125400SC
200 A .333 V Split Core Current Transformer with 2.00 in Window Size	ECT200200SC
400 A .333 V Split Core Current Transformer with 2.00 in Window Size	ECT200400SC
600 A .333 V Split Core Current Transformer with 2.00 in Window Size	ECT200600SC
600 A .333 V Split Core Current Transformer with 3 x 5 in Window Size	ECT300600SC
800 A .333 V Split Core Current Transformer with 3 x 5 in Window Size	ECT300800SC



**PowerLogic Branch Circuit Power Meter**

The ideal solution for data center managers, energy or facility managers, engineers and operational executives who are responsible for delivering power to critical applications. In corporate and hosted data center facilities, this technology helps you plan and optimize the critical power infrastructure to meet the demands of continuous availability.

The PowerLogic BCPM is a highly accurate, full-featured metering product designed for the unique, multi-circuit and minimal space requirements of a high performance power distribution unit (PDU) or remote power panel (RPP). It offers class 1 (1%) power and energy system accuracy (including 50 A or 100 A CTs) on all branch channels.

The BCPM monitors up to 84 branch circuits with a single device and also monitors the incoming power mains to provide information on a complete PDU. It also offers multi-phase measurement totals with flexible support for any configuration of multi-phase breakers. Full alarming capabilities ensure that potential issues are dealt with before they become problems.

Unlike products designed for specific hardware, the flexible BCPM will fit any PDU or RPP design and supports both new and retrofit installations. It has exceptional dynamic range and accuracy, and optional feature sets to meet the energy challenges of mission critical data centers.

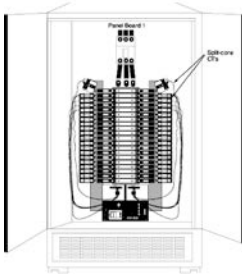
**Key Features:**

- Integrated Ethernet with advanced SNMP, BACnet, and Modbus TCP support on BCPME models
- Class 1% system accuracy (including 50 A or 100 A branch CTs)
- Flexible configuration of Logical Meters for multi-phase loads
- Full PDU monitoring
- Flexible configuration
- Split core version for retrofit installations
- Wide monitoring range
- Low current monitoring
- Advanced alarming
- Easily integrates into a PowerLogic system or other existing networks using Modbus™ communications



**Table 4.22: BCPM with Solid-Core CTs**

Description	Catalog Number
42-circuit solid-core power & energy meter, 100A CTs (2 strips), 3/4 in. spacing	BCPMA042S
84-circuit solid-core power & energy meter, 100A CTs (4 strips), 3/4 in. spacing	BCPMA084S
42-circuit solid-core power & energy meter, 100A CTs (2 strips), 1 in. spacing	BCPMA142S
84-circuit solid-core power & energy meter, 100A CTs (4 strips), 1 in. spacing	BCPMA184S
24-circuit solid-core power & energy meter, 100A CTs (2 strips), 18 mm spacing	BCPMA224S
36-circuit solid-core power & energy meter, 100A CTs (2 strips), 18 mm spacing	BCPMA236S
42-circuit solid-core power & energy meter, 100A CTs (2 strips), 18 mm spacing	BCPMA242S
48-circuit solid-core power & energy meter, 100A CTs (4 strips), 18 mm spacing	BCPMA248S
72-circuit solid-core power & energy meter, 100A CTs (4 strips), 18 mm spacing	BCPMA272S
84-circuit solid-core power & energy meter, 100A CTs (4 strips), 18 mm spacing	BCPMA284S
42-circuit solid-core branch current, mains power meter, 100A CTs (2 strips), 3/4 in. spacing	BCPMB042S
84-circuit solid-core branch current, mains power meter, 100A CTs (4 strips), 3/4 in. spacing	BCPMB084S
42-circuit solid-core branch current, mains power meter, 100A CTs (2 strips), 1 in. spacing	BCPMB142S
84-circuit solid-core branch current, mains power meter, 100A CTs (4 strips), 1 in. spacing	BCPMB184S
24-circuit solid-core branch current, mains power meter, 100A CTs (2 strips), 18 mm spacing	BCPMB224S
36-circuit solid-core branch current, mains power meter, 100A CTs (2 strips), 18 mm spacing	BCPMB236S
42-circuit solid-core branch current, mains power meter, 100A CTs (2 strips), 18 mm spacing	BCPMB242S
48-circuit solid-core branch current, mains power meter, 100A CTs (4 strips), 18 mm spacing	BCPMB248S
72-circuit solid-core branch current, mains power meter, 100A CTs (4 strips), 18 mm spacing	BCPMB272S
84-circuit solid-core branch current, mains power meter, 100A CTs (4 strips), 18 mm spacing	BCPMB284S
42-circuit solid-core branch current meter, 100A CTs (2 strips), 3/4 in. spacing	BCPMC042S
84-circuit solid-core branch current meter, 100A CTs (4 strips), 3/4 in. spacing	BCPMC084S
42-circuit solid-core branch current meter, 100A CTs (2 strips), 1 in. spacing	BCPMC142S
84-circuit solid-core branch current meter, 100A CTs (4 strips), 1 in. spacing	BCPMC184S
24-circuit solid-core branch current meter, 100A CTs (2 strips), 18 mm spacing	BCPMC224S
36-circuit solid-core branch current meter, 100A CTs (2 strips), 18 mm spacing	BCPMC236S
42-circuit solid-core branch current meter, 100A CTs (2 strips), 18 mm spacing	BCPMC242S
48-circuit solid-core branch current meter, 100A CTs (4 strips), 18 mm spacing	BCPMC248S
72-circuit solid-core branch current meter, 100A CTs (4 strips), 18 mm spacing	BCPMC272S
84-circuit solid-core branch current meter, 100A CTs (4 strips), 18 mm spacing	BCPMC284S
42-circuit solid-core power & energy meter w/Ethernet, 100A CTs (2 strips), 3/4 in. spacing	BCPME042S
84-circuit solid-core power & energy meter w/Ethernet, 100A CTs (4 strips), 3/4 in. spacing	BCPME084S
42-circuit solid-core power & energy meter w/Ethernet, 100A CTs (2 strips), 1 in. spacing	BCPME142S
84-circuit solid-core power & energy meter w/Ethernet, 100A CTs (4 strips), 1 in. mm spacing	BCPME184S
24-circuit solid-core power & energy meter w/Ethernet, 100A CTs (2 strips), 18 mm spacing	BCPME224S
36-circuit solid-core power & energy meter w/Ethernet, 100A CTs (2 strips), 18 mm spacing	BCPME236S
42-circuit solid-core power & energy meter w/Ethernet, 100A CTs (2 strips), 18 mm spacing	BCPME242S
48-circuit solid-core power & energy meter w/Ethernet, 100A CTs (4 strips), 18 mm spacing	BCPME248S
72-circuit solid-core power & energy meter w/Ethernet, 100A CTs (4 strips), 18 mm spacing	BCPME272S
84-circuit solid-core power & energy meter w/Ethernet, 100A CTs (4 strips), 18 mm spacing	BCPME284S



Typical BCPMSC panelboard installation

Table 4.23: BCPM with Split-Core CTs

Description	Catalog Number
42-circuit split-core power and energy meter, CTs and cables sold separately	BCPMSCA1S
84-circuit split-core power and energy meter, CTs and cables sold separately	BCPMSCA2S
30-circuit split-core power and energy meter, (30) 50A CTs & (2) 4 ft. cables	BCPMSCA30S
42-circuit split-core power and energy meter, (42) 50A CTs & (2) 4 ft. cables	BCPMSCA42S
60-circuit split-core power and energy meter, (60) 50A CTs & (4) 4 ft. cables	BCPMSCA60S
42-circuit split-core power and energy meter, all boards on backplate, CTs and cables sold separately	BCPMSCAY63S
84-circuit split-core power and energy meter, with (84) 50A CTs & (4) 4 ft. cables	BCPMSCA84S
42-circuit split-core branch current, mains power meter, CTs and cables sold separately	BCPMSCB1S
84-circuit split-core branch current, mains power meter, CTs and cables sold separately	BCPMSCB2S
30-circuit split-core branch current, mains power meter, (30) 50A CTs & (2) 4 ft. cables	BCPMSCB30S
42-circuit split-core branch current, mains power meter, (42) 50A CTs & (2) 4 ft. cables	BCPMSCB42S
60-circuit split-core branch current, mains power meter, (60) 50A CTs & (4) 4 ft. cables	BCPMSCB60S
42-circuit split-core branch current, mains, all boards on backplate, CTs and cables sold separately	BCPMSCBY63S
84-circuit split-core branch current, mains power meter, (84) 50A CTs & (4) 4 ft. cables	BCPMSCB84S
42-circuit split-core current meter, CTs and cables sold separately	BCPMSCC1S
84-circuit split-core current meter, CTs and cables sold separately	BCPMSCC2S
30-circuit split-core current meter, (30) 50A CTs & (2) 4 ft. cables	BCPMSCC30S
42-circuit split-core current meter, (42) 50A CTs & (2) 4 ft. cables	BCPMSCC42S
60-circuit split-core current meter, (60) 50A CTs & (4) 4 ft. cables	BCPMSCC60S
42-circuit split-core current meter, all boards on backplate, CTs and cables sold separately	BCPMSCCY63S
84-circuit split-core current meter, (84) 50A CTs & (4) 4 ft. cables	BCPMSCC84S
42-circuit split-core power and energy meter w/Ethernet, CTs and cables sold separately	BCPMSCS1S
84-circuit split-core power and energy meter w/Ethernet, CTs and cables sold separately	BCPMSCS2S
30-circuit split-core power and energy meter w/Ethernet, (30) 50A CTs & (2) 4 ft. cables	BCPMSCS30S
42-circuit split-core power and energy meter w/Ethernet, (42) 50A CTs & (2) 4 ft. cables	BCPMSCS42S
60-circuit split-core power and energy meter w/Ethernet, (60) 50A CTs & (4) 4 ft. cables	BCPMSCS60S
84-circuit split-core power and energy meter w/Ethernet, (84) 50A CTs & (4) 4 ft. cables	BCPMSCS84S

Table 4.24: 1/3 V Low-Voltage Split-Core CTs for Aux Inputs (Mains)

Amperage Rating	Inside Dimensions	Catalog Number
50A	10 x 11 mm	LVCT00050S
200A	16 x 20 mm	LVCT00101S
200A	32 x 32 mm	LVCT00202S
100A	30 x 31 mm	LVCT00102S
200A	30 x 31 mm	LVCT00202S
300A	30 x 31 mm	LVCT00302S
400A	62 x 73 mm	LVCT00403S
600A	62 x 73 mm	LVCT00603S
800A	62 x 73 mm	LVCT00803S
800A	62 x 139 mm	LVCT00804S
1000A	62 x 139 mm	LVCT01004S
1200A	62 x 139 mm	LVCT01204S
1600A	62 x 139 mm	LVCT01604S
2000A	62 x 139 mm	LVCT02004S
2400A	62 x 139 mm	LVCT02404S

Table 4.25: 1/3 V Low-Voltage Solid-Core CTs for Aux Inputs (Mains)

Amperage Rating	Inside Dimensions	Catalog Number
50A	10 mm	LVCT20050S
100A	10 mm	LVCT20100S
200A	25 mm	LVCT20202S
400A	31 mm	LVCT20403S

Table 4.26: BCPM Split-Core Branch CTs and Adapter Boards

Description	Catalog Number
BCPM adapter boards, quantity 2, for split core BCPM	BCPMSCADPBS
BCPM 50A split core CTs, Quantity 6, 1.8 m lead lengths	BCPMSCCT0
BCPM 50A split core CTs, quantity 6, 6 m lead lengths	BCPMSCCT0R20
BCPM 100A split core CTs, Quantity 6, 1.8 m lead lengths	BCPMSCCT1
BCPM 100A split core CTs, Quantity 6, 6 m lead lengths	BCPMSCCT1R20
BCPM 200A split core CTs, Quantity 1, 1.8 m lead lengths	BCPMSCCT3
BCPM 200A split core CTs, Quantity 1, 6 m lead lengths	BCPMSCCT3R20

Table 4.27: Additional Accessories for use with BCPM Products

Description	Catalog Number
BCPM circuit board cover	BCPMCOVERS
CT repair kit for solid core BCPM (includes one CT)	BCPMREPAIR
Additional 100A split core CT for use with solid core repair kit	H6803R-0100
Modbus to BACnet protocol converter	E8951
Flat Ribbon cable (quantity 1) for BCPM, length = 0.45 m	CBL008
Flat Ribbon cable (quantity 1) for BCPM, length = 1.2 m	CBL016
Flat Ribbon cable (quantity 1) for BCPM, length = 1.5 m	CBL017
Flat Ribbon cable (quantity 1) for BCPM, length = 1.8 m	CBL018
Flat Ribbon cable (quantity 1) for BCPM, length = 2.4 m	CBL019
Flat Ribbon cable (quantity 1) for BCPM, length = 3.0 m	CBL020
Flat Ribbon cable (quantity 1) for BCPM, length = 6.1 m	CBL021
Round Ribbon cable (quantity 1) for BCPM, length = 1.2 m	CBL022
Round Ribbon cable (quantity 1) for BCPM, length = 3 m	CBL023
Round Ribbon cable (quantity 1) for BCPM, length = 6.1 m	CBL024
Round Ribbon cable (quantity 1) for BCPM, length = 0.5 m	CBL031
Round Ribbon cable (quantity 1) for BCPM, length = 0.8 m	CBL033

New!

**PowerLogic EM4900 Series Multi-Circuit Meters**

The PowerLogic EM4900 Series Multi-Circuit Meters make it easy to add many metering points without having to purchase, mount, wire and commission individual energy meters. Simply add a single device with common voltage inputs and communication interface that can measure the current, voltage, power, energy consumption, and Total harmonic Distortion (THD) of up to (14) 3-phase circuits with a single board or up to (28) 3-phase circuits with a two board configuration. Save on both equipment cost and installation.

**Applications**

- Commercial and residential subtenant billing
- Load-based cost allocation
- Measuring for load balancing and demand response
- Overload protection

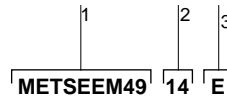


EM49xxE Main Unit

**Table 4.28: EM4900 Series Part Numbers - BCPM with Solid Core CTs**

Item	Code	Description
1 Model	METSEEM49	Multi-Circuit Meter
2 Number of 3-phase Meters	04	Up to (4) 3-phase Meters (see Table 4.30 for variations)
	08	Up to (8) 3-phase Meters (see Table 4.30 for variations)
	14	Up to (14) 3-phase Meters (see Table 4.30 for variations)
	28	Up to (28) 3-phase Meters (see Table 4.30 for variations)
3 Communication Interfaces & Protocols	A	RS-485 Serial with Modbus RTU (add E8951 for other protocols)
	E	Ethernet with Modbus TCP, BACnet IP and SNMP protocols and RS-485 Serial with Modbus RTU or BACnet IP

**Table 4.29: Part Number Example**



- 1: Model
- 2: Number of 3-phase meters (without neutral current)
- 3: Communication interfaces & protocols.

**Number of Meters Supported**

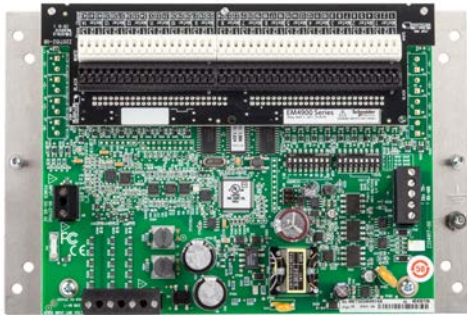
EM4900 models are all factory-configured as all 3-phase meters (w/o neutral). They can be easily re-configured to any combination of 1-ph, 2-ph, or 3-ph meters (with ION setup). Any unused channels can be used to measure neutral current. Label overlays (to re-number CT connections) are provided for 1-ph/2-ph applications.

**Table 4.30: Number of Meters**

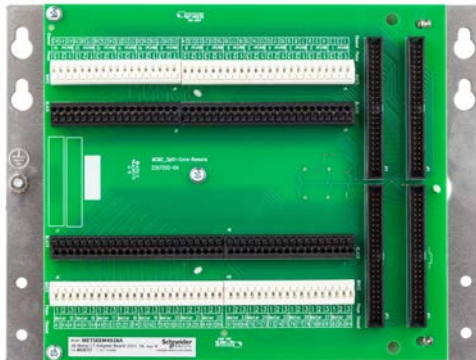
Catalog No.	"E" - Integrated Ethernet	3 PH No Neutral	3 PH With Neutral	2 PH	1 PH
METSEEM4904A	METSEEM4904E	4	3	6	12
METSEEM4908A	METSEEM4908E	8	6	12	24
METSEEM4914A	METSEEM4914E	14	10	21	42
METSEEM4928A	METSEEM4928E	28	21	42	84

**Table 4.31: EM4900 Multi-Circuit Meters**

Catalog No.	EM4900 Multi-Circuit Meters
METSEEM4904A	Multi-Circuit Meter – (4) 3-phase meters - Modbus RTU only
METSEEM4908A	Multi-Circuit Meter – (8) 3-phase meters - Modbus RTU only
METSEEM4914A	Multi-Circuit Meter – (14) 3-phase meters - Modbus RTU only
METSEEM4928A	Multi-Circuit Meter – (28) 3-phase meters - Modbus RTU only
METSEEM4904E	Multi-Circuit Meter – (4) 3-phase meters - Ethernet and Serial (Modbus, BACnet & SNMP)
METSEEM4908E	Multi-Circuit Meter – (8) 3-phase meters - Ethernet and Serial (Modbus, BACnet & SNMP)
METSEEM4914E	Multi-Circuit Meter – (14) 3-phase meters - Ethernet and Serial (Modbus, BACnet & SNMP)
METSEEM4928E	Multi-Circuit Meter – (28) 3-phase meters - Ethernet and Serial (Modbus, BACnet & SNMP)



EM49xxA Main Board



CT Adapter Assembly (28-Meter models only)



Flat ribbon cable

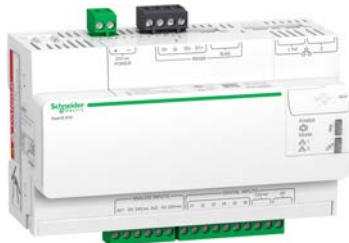


Round ribbon cable

Table 4.32: EM4900 Multi-Circuit Meters

Catalog No.	Description
BCPMCOVERS	EM4900 circuit board cover
E8951	Modbus to BACnet protocol converter
<b>Ribbon cables for 28-meter models</b>	
1.22 m cables are standard – others must be ordered separately	
CBL008	Flat Ribbon cable (quantity 1) for BCPM, length = 0.45 m
CBL016	Flat Ribbon cable (quantity 1) for BCPM, length = 1.2 m
CBL017	Flat Ribbon cable (quantity 1) for BCPM, length = 1.5 m
CBL018	Flat Ribbon cable (quantity 1) for BCPM, length = 1.8 m
CBL019	Flat Ribbon cable (quantity 1) for BCPM, length = 2.4 m
CBL020	Flat Ribbon cable (quantity 1) for BCPM, length = 3.0 m
CBL021	Flat Ribbon cable (quantity 1) for BCPM, length = 6.1 m
CBL022	Round Ribbon cable (quantity 1) for BCPM, length = 1.2 m
CBL023	Round Ribbon cable (quantity 1) for BCPM, length = 3 m
CBL024	Round Ribbon cable (quantity 1) for BCPM, length = 6.1 m
CBL031	Round Ribbon cable (quantity 1) for BCPM, length = 0.5 m
CBL033	Round Ribbon cable (quantity 1) for BCPM, length = 0.8 m





Com'X 510 Energy Server

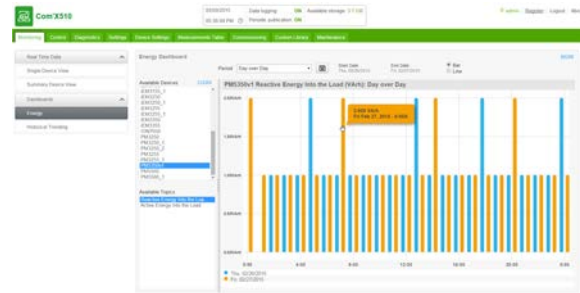
## Com'X Data Loggers and Energy Servers

### Powerful data logging with flexible communication options

Connect your entire power system with Com'X data loggers and energy servers. Com'X surpasses conventional gateways and data loggers by incorporating multiple capabilities into one compact device. In addition to being a real-time gateway to downstream devices, Com'x logs all essential WAGES and environmental readings through a broad range of downstream data feeds and local I/O. Logged data can be automatically pushed to a hosted platform or downloaded for report generation. Ethernet and Wi-Fi ready, Com'x leverages on the building's existing IT infrastructure to reduce cost. Its GPRS capability makes it ideal for sites with no access to IT networks.

### Easy configuration and commissioning

Configuration and commissioning is made easy by automatic device detection, and IP address setting and allocation. No additional software is needed for the intuitive, web-based configuration pages. A device library enables quick configuration for more than 70 Modbus devices and also provides for custom configuration of additional devices. Configuration via Wi-Fi lets technicians use tablets or notebooks to work comfortably away from switchboard rooms.



Com'X 510 Energy Dashboard

### Embedded energy management software

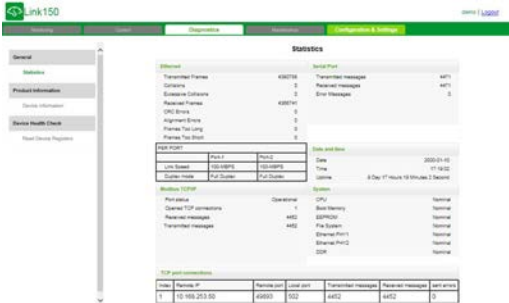
The Com'X 510 Energy Server further includes embedded web pages that display data in a meaningful way so you can make informed decisions about your energy usage. Web pages display real-time data in easy to understand tabular and summary formats. In addition, you can access simple analysis of historical data in bar graph or trending formats. Pages are accessible via any standard web browser without plug-ins or additional components.

**Table 4.33: Com'X Data Loggers, Energy Services, and Accessories**

Description	Catalog Number
Com'X210 Data logger, requires 24 VDC power supply	EBX210
Com'X510 Energy server, requires 24 VDC power supply	EBX510
Wi-Fi USB stick	EBXAUSBWIFI
Zigbee USB stick	EBXAUSBZIGBEE
GPRS modem with SIM card	EBXAGPRSSIM
GPRS modem without SIM card	EBXAGPRS
External GPRS antenna	EBXAANT5M



Link150 Ethernet Gateway



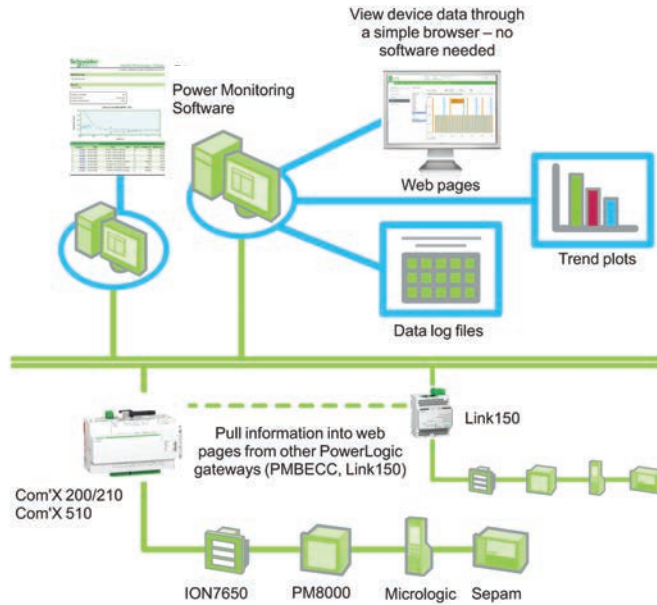
Link150 has embedded web pages for easy setup and maintenance

### Link150 Ethernet Gateway Communications for high-speed access to critical information

The Link150 gateway provides fast, reliable Ethernet connectivity in the most demanding applications, from a single building to a multi-site enterprise. This gateway supports meters, monitors, protective relays, trip units, motor controls and other devices that need to communicate data quickly and efficiently. It is your simple, cost-effective serial line to full Ethernet connectivity.

#### Applications

- Energy management
- Power distribution
- Building automation
- Factory automation



4 POWER MONITORING AND CONTROL

#### Security

- Secure user interface including user's name and password for login
- Advanced security features to allow users to specify which Modbus TCP/IP master devices may access attached serial slave devices
  - Modbus TCP/IP filtering feature
  - Allows user to specify the level of access for each master device as Read-only or Full access
- Web pages provide easy configuration and setup

#### Advantages

- Easy to install and setup
- Easy to maintain
- Compatible with Schneider Electric software offerings (EcoStruxure Power Monitoring Expert, EcoStruxure PowerSCADA Operation, etc.)
- Compatible with Com'X 200/210 and Com'X 510 Energy Servers
- Reliable Modbus to Ethernet protocol conversion

Table 4.34: Ethernet Gateway

Type	Catalog Number
Link150 Ethernet gateway	EGX150
Modbus 3 m cable RJ-45 to free wires	VW3A8306D30



Modbus 3 m cable RJ-45 to free wires

## Engineered Solutions

Schneider Electric provides an engineered solution approach to your specific power system applications. Our total solutions for power monitoring and power system controls allow greater safety, reliability, and energy efficiency of your power systems. As a long standing industry leader in Power Monitoring and Control Systems, we understand your power system requirements and needs.

All of our Engineered Solutions are tailored to your specific system requirements. Schneider Electric is your total solution provider.

### The Basics of a Comprehensive Power and Energy Management System

**Measure:** Gather energy and power data throughout your facility. Stand-alone or embedded meters measure, collect, and deliver essential data from key distribution points across your entire electrical network.

**Understand:** Turn data into actionable information. Power management software brings intelligent analytics and visualization to power and energy data.

**Act:** Use actionable information to make intelligent decisions and operational shifts to create change or correct issues.



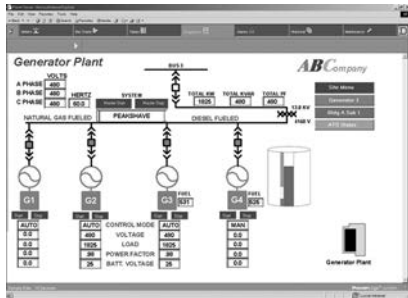
### The Benefits of Power and Energy Management

- Reduce energy and operational costs
- Improve power and equipment reliability
- Optimize operations
- Increase system capacity
- Minimize expensive downtime
- Meet sustainability goals
- Improve productivity

### Power System Control Applications

**Automated solutions for increased Reliability and Energy Efficiency:** Schneider Electric engineers provide Power System Control Applications with automated solutions for addressing your system reliability and efficiency control needs. Our offer covers Automatic Throwover Schemes, Load Shedding/Peak Shaving, and Load Preservation and Microgrids.

- **Automatic Throwover Systems** – Automatic selection of available utility or generator sources to maintain service continuity to connected loads.
- **Load Shedding/Peak Shaving** – Control peak demand levels or ensure service continuity to critical load or operate breakers in accordance with user specified sequences and time delays such as bringing large motors online across several billing kw demand periods to avoid demand penalties.
- **Load Preservation** – Fast acting sophisticated control systems designed to stabilize critical power systems to the greatest extent possible by monitoring frequency and power sources from utility plus generator capacity versus total circuit load.



PowerLogic Engineers provide graphic solutions for realtime monitoring of power systems.

### Power System Engineering

The Square D Power System Engineering team offers a wide range of engineering services to improve the safety, efficiency and reliability of your power distribution system. The team is comprised of registered professional engineers, safety trained and equipped, to perform a variety of engineering functions.

#### Power System Studies

The Square D Power System Engineering Team provides expertise for a variety of electrical power system studies. Some of the more common system studies include:

- Short-circuit analysis
- Time-current coordination
- Motor starting/voltage drop
- Motor starting/torque-speed
- Safe motor re-energization
- Harmonic analysis
- Transient analysis
- Power factor correction analysis
- Other system specific analysis

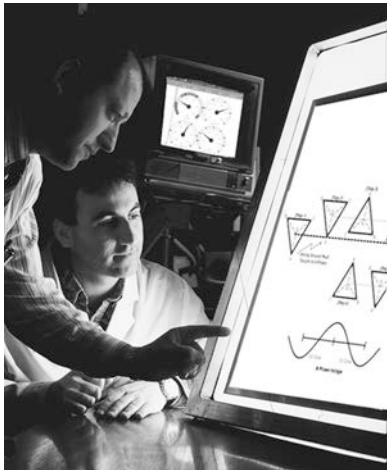
#### Arc Flash Analysis

Square D offers on-site services to perform arc flash analysis for a facility, complex, office, or campus. An Arc flash analysis is used to determine:

- Flash Protection Boundary
- Incident Energy Value
- Hazard/Risk Category
- Appropriate Personal Protective Equipment (PPE)
- Low cost arc flash reduction methods

#### Features of Square D arc flash analysis include:

- Time current coordination analysis showing both existing and recommended over/current device settings
- Short-circuit study to ensure adequacy of equipment
- Onsite verification and documentation of equipment
- Arc flash labels (populated with the results of the arc flash analysis)
- Arc flash label affixation
- NFPA 70E—Safe Workplace Practices Training provided by OSHA authorized outreach instructors
- Recommendations and solutions to reduce potential arc flash hazards



### Power Quality Studies

Square D offers onsite power quality engineering studies and solutions to eliminate process disruptions, power system shutdowns, and equipment damage due to electrical power system disturbances. A power quality study is used to:

- Determine compliance with the IEEE 519-Recommended Practices and Requirements for Harmonic Control in Electrical Power Systems guidelines
- Identify most cost-effective solution to power quality problems
- Solve process disruptions due to power disturbances
- Reduce economic effects of poor power quality
- Identify disturbances originating on electric utility system and improvements to reduce the number and severity

### Power System Assessment

Square D offers engineering services to meet a variety of power system needs:

- Basic codes and standards compliance
- Protective coordination assessment
- Maintenance program review
- Recommendations for power system optimization
- Power quality troubleshooting and analysis
- Power factor and harmonics analysis
- Electrical safety hazards
- Short-circuit withstand overview
- Single-line documentation of power system
- Power monitoring recommendations
- Loading measurements

### Power System Design Services

Schneider Electric Engineering Services offers three levels of design services based on the customer need:

- Design Assurance
- Design Assistance
- Primary Design Agent

Other areas of expertise include:

- New equipment installation
- Existing equipment modification
- Protection Control Automation
- Ground Fault Systems
- Generator Control Systems

Square D professional engineers - safety trained and equipped - will listen to your concerns and goals, define the problem or enhancement, and engineer the solution that best satisfies your needs.

For additional information on power system engineering services and pricing, contact your nearest Square D/Schneider Electric office.

### Advanced Microgrid Solutions and Distributed Energy Resource Management

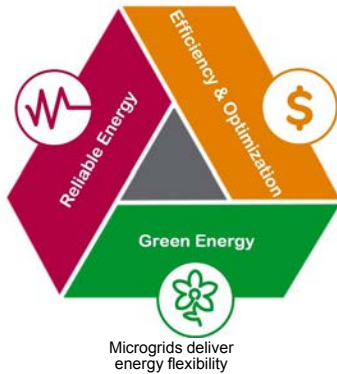
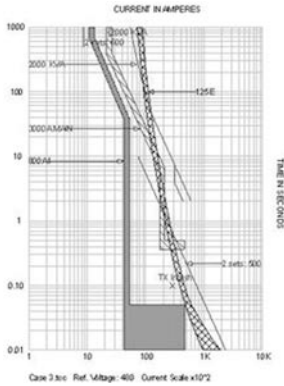
With our custom solutions and proven expertise, we deliver advanced microgrids that offer the advantages of grid independence – without forfeiting the benefits of being part of the central grid. Our flexible microgrid architecture features a scalable set of grid components designed to efficiently manage your entire energy infrastructure, including distributed generation, energy storage, and load demand, while giving you the ability to easily adapt the system to your changing needs. **Learn more at** [www.schneider-electric.us/en/work/solutions/microgrids/](http://www.schneider-electric.us/en/work/solutions/microgrids/)

### Total Energy Control

Schneider Electric Certified Energy Managers (CEM's) work on-site with knowledgeable plant personnel to develop a long-term, comprehensive, "Energy Action Plan", that serves as the blueprint for energy savings. Unlike performance contracts or one-time energy audits, the Total Energy Control<sup>SM</sup> program offers a strategic partnership for energy-intensive industrials who want to improve energy efficiency.

### Total Energy Control

- **Utility Analysis:** evaluating both the commodity supply side and the demand side areas of the operation.
- **Demand Side Usage:** profiling facility loads and consumption patterns.
- **Opportunity Identification / Prioritization:** projects that make sense today and those that should be considered in the future as energy prices change.
- **Project Implementation:** Client can choose which projects to implement or Square D can provide turn-key implementation.
- **Supply Management:** forecasting and making adjustments to reflect current conditions.
- **On-Going Accountability:** accountable along with you for the ongoing success of your energy plan.





**Leverage in-person and remote services**

Take advantage of EcoStruxure Power Advisor Digital Service Plans to increase the reliability of your critical systems, extend the life of your equipment, and improve your energy performance. You won't believe what your power management system can do with our help! Easily manage your electrical system and keep your operations running smoothly without needing extra time or main-power to do it.

Access the benefits of EcoStruxure Power Advisor, a key component of Digital Service Plans that is the analytical engine that turns your data into information. Using data from your power monitoring software, it combines advanced algorithms with expert analysis, and provides the insight that you need to make the right decisions.

**Table 4.35: EcoStruxure Power Advisor Digital Service Plans**

	Standard	Prime	Ultra
<b>Support</b>			
Basic product support (phone and email; 8am-8pm EST)	•	•	•
Direct access to advanced support & priority case escalation		•	•
Software Assurance <sup>[8]</sup>		•	•
Remote access troubleshooting		•	•
On demand online training classes		•	•
24/7 support		Option	Option
<b>Maintenance</b>			
On-site preventative, condition based maintenance <sup>[9]</sup>	Option	Option/Semi-annual	Option/Quarterly
Software diagnostics (disc usage, server, communication status)			•
Designated engineer(s) assigned			•
Real-time monitoring			•
<b>Reliability/Improvement</b>			
Power Advisor system & network analysis		Semi-annual	Quarterly
Expert design and customization services (remote)	Option	Discounted	Discounted
Power Management University training class	Option	Discounted	Discounted

**NOTE:** Three Year Digital Service Plans are available at a discounted rate.

**Power Management University (PMU)**

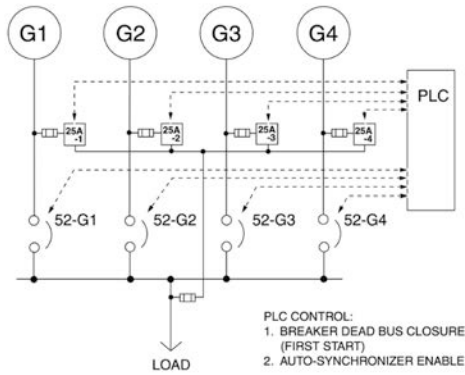
Attending a PMU sponsored course will enable attendees to better utilize their Schneider-Electric power monitoring solution thus enabling them to realize energy savings as quickly as possible. PMU offers a variety of options with instructor led options being 80% hands-on, with each student having their own lab workstation. Below is a list of the different training options offered by PMU.

Course	Course Number	Length
<b>Factory Courses: Software Solutions</b>		
PME 8.x Fundamentals Bundle (with 12 mo. On-Demand Campus access)	3000PMUFUNDSPMCR	4 Days
PME 8.x Fundamentals Bundle (without 12 mo. On-Demand Campus access)	3000PMUFUNDSPM	4 Days
PME 8.x Virtual ION Processor — Intro to Advanced System Programming	3000PMUPROG	4 Days
PME 8.x Designer — Advanced Device Programming	3000PMUPROG2	3 Days
PME 8.x Administrator	3000PMUADMINSPM	4 Days
PME Project Deployment for System Integrators	3000PLUC4DAY	4 Days
<b>EcoStruxure PowerSCADA Operation Software</b>		
PSO 8.2 Project Deployment for System Integrators	3000PMUPSO	4 Days
<b>Other Software Courses</b>		
Power Quality — Identification, Causation and Mitigation	3000PMUPOQ	3 Days
Hardware Installation and Troubleshooting	3000PLUC100	4 Days
Power SCADA Operation and Maintenance (onsite only)	CONTACT FOR OPTIONS	CUSTOM
EEM Operation and Maintenance (onsite only)	CONTACT FOR OPTIONS	CUSTOM
<b>Online Training Solutions</b>		
On-Demand Campus (one-year subscription — online access)	3000PMUDEMAND12	12 mo.
SMS Trainer (one-year subscription — online access)	3000PMUSMSTRAINER	12 mo.
EEM Trainer (one-year subscription — online access)	3000PMUEEMTRAINER	12 mo.
<b>Educational Hardware</b>		
PMU Education Kit	PMUTRAINLAB	N/A

[8] Upgrade labor not included.  
 [9] Exceptional travel may result in additional charges.

**System Integration**  
**System Design and Engineering**

Our Power Solutions specialists can work with you to design or upgrade your existing system to best achieve your energy and power management objectives and informational needs. With expertise in electrical systems, communications, and automatic control systems, we can integrate, install, and commission your system for optimal performance.



PowerLogic Engineers design power control systems that meet your operational requirements

- System Design and Bill of Material Recommendations
- Power Monitoring and Control
- WAGES (Water, Air, Gas, Electric, Steam)
- Enterprise web-based monitoring
- Specification development, drawings, documentation
- Enclosure panel design and build
- Metering Connection Verification/Testing
- Power distribution automation
- On-Site Installation Assistance, Component Configuration & Startup
- Turn-key project management
- Third Party Device and communication interfaces
- Configured Workstations, User Software Interfaces
- Interactive Graphic Design to mimic facility layout, one-lines, equipment status
- Custom Software, Reports & Applications – Billing and Event Notification



PowerLogic Engineers specialize in the design and setup of Emergency Power Supply Systems (EPSS).

For additional information, contact your nearest Square D / Schneider Electric office.

**Factory Assembled Equipment**

Square D™ PowerLogic™ Factory Assembled Equipment offers a wide range of designs for metering, communications, and control applications to simplify retrofit installations. Our equipment is designed to order as a free-standing or wallmounted system. With PowerLogic™ Factory Assembled Equipment, you'll receive professionally crafted, factory tested, pre-wired equipment that will greatly improve the speed of your system startup. All backed by the Square D™ quality standard of excellence.

- Assemblies include meters & devices wired to terminal blocks, disconnects, and shunting blocks or test switches
- Tailored to any system voltage :
  - 208/120 V, 480/277 V & 600/347 V Wye
  - 240 V, 480 V & 600 V Delta
  - Utilization of PT's required for higher voltage levels
- Wall mountable and easy to install using concealed holes in the back of the enclosure.
- Complete with necessary documentation and mounting hardware for quick and easy installation
- Carbon steel construction, with industry standard ANSI 61 gray powder coat finish
- Equipped with concealed hinged door, and universal pad-lockable latch.
- Custom engraved nameplates available for all units.

**Table 4.36: Industrial Enclosure Types 12 & 4, UL & CUL 508A Listed**

Available Meter Types	Digital Inputs	Digital Outputs	Analog Inputs	Analog Outputs
ION6200	N/A	Up to 2 / Meter	N/A	N/A
PM5563RD	Up to 4 / Meter	Up to 2 / Meter	N/A	N/A
PM8244	Up to 15 / Meter	Up to 5 / Meter	Up to 4 / Meter	Up to 2 / Meter
ION 7550 & 7560	Up to 16 / Meter	Up to 7 / Meter	Up to 4 / Meter	Up to 4 / Meter

- Supports Single or Multiple Voltage Sources for Indoor (Types 1 and 12) & Outdoor (Type 4) applications
- Available with 1–4 meters per panel. Serial & Ethernet Communications are options for all units
- EGX & ION RTU Communication Enclosures with 1–4 devices per panel also available





**Light Industrial Enclosure Type 1, UL & CUL 508A Listed**

- Available for the following meter types: PM8244, PM5563RD, and ION6200
- Supports Single Voltage Source only for Indoor (Type 1) applications.
- Available with 1–12 meters per panel. Serial Communications are standard for all units.
- No Digital or Analog I/O is available for this option.

**Service Entrance/Utility Socket Enclosure Type 3R, UL & CUL 508A Listed**

- Available for ION8600 only, with up to 3 Digital Inputs and 4 Digital Outputs and E5600 2 Digital Inputs and 2 Digital Outputs.
- Supports Single Voltage Source only for Indoor & Outdoor (Type 3R) applications.
- Units are Ring Type with removable cover.
- Available with 1 meter per panel. Serial & Ethernet Communications options available.
- Supports Form 9S, 35S, 36S, 39S and 76S configurations for ION8600 and forms 9S and 36S for E5600.
- Options available for remote mounted CTs
- Options available for integrated, bar type CTs
- Optional Test Switch.

**Additional engineered to order products are available for a wide variety of design solutions.**

- Switchgear Transfer Control Panels
- Generator Control Panels
- Load Shed Control Panels
- Sequence of Events Recording (SER) Panels
- Control System Mimic Panels
- Lighting Control Interface Panels
- Programmable Logic Controller (PLC) Control Panels (Hot Standby, Relay Control, Data Concentration etc. ...)
- Emergency Power Supply Systems (EPSS) Control Panels
- Water, Air, Gas, Electrical, and Steam (WAGES) Monitoring Panels
- Input Status Monitoring & Alarming Panels
- Remote Annunciator Control Panels
- Remote Operator Control Panels
- Serial, Ethernet, and Cellular Wireless Systems
- Server Rack and Network Equipment (Servers, Switches, UPS's) for Energy Management Systems.
- Industrialized PC's, Touch Screens (Magelis), and Human Machine Interfaces (HMI's) with Custom System Graphics.
- Designed to fit any environment – Indoor (Type 1 & 12) & Outdoor (Type 3R & 4) applications

**For additional information and pricing please contact your local PowerLogic sales specialist or PowerLogic Inside Sales Support at 615-287-3535. Equipment pricing and literature available for download on our website at [www.powerlogic.com/products/enclosures](http://www.powerlogic.com/products/enclosures).**

**To better serve you please have the following information on hand when calling.**

- Enclosure type (Indoor or Outdoor) and Environment details (Corrosive or Non-Corrosive)
- Power System Voltage Level and Type (Direct Current (DC) or Alternating Current (AC))
- Digital & Analog Input and Output requirements
- Device Type and Quantity per enclosure
- Ethernet and Serial Communication Requirements
- For Drawout Retrofits, need existing cradle type (i.e. GE, Westinghouse, etc.)

### PowerLogic High Density Metering

High Density Metering (HDM) is engineered to answer the metering and billing needs of multi-tenant properties:

#### Features and Benefits

- HDM comes standard with PowerLogic PM5000 series.
- Lockable, 16 gauge NEMA Type 1 enclosure provides tamper-resistant security.
- NEMA Type 3R also available. Please consult factory.
- Mounting channel and surface-mount flanges simplify installation.
- Factory installed cover plates are included to cover empty meter spaces.
- Factory installed wiring harness simplifies installation of additional meters and provides future system expansion.
- Each High Density Metering cabinet is provided with RS485 Modbus® or Modbus Ethernet TCP communications. For wireless communications, please consult factory.
- Supports 120/208V & 277/480V WYE, and 240V & 480V Delta System Types, 1Ph or 3Ph
- CTs required. Must select separately.

#### High Density Meter System Includes:

- Enclosure
- Power Meters, installed
- Installation bulletin for Enclosure
- Wall hanging bracket
- Installation bulletin for Meters



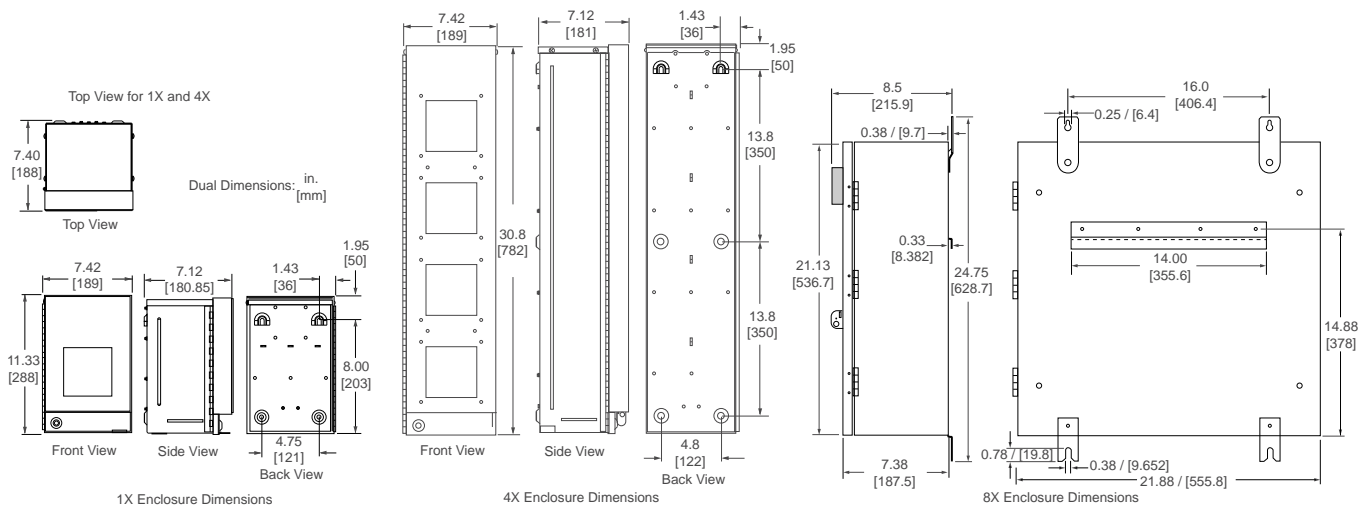
High Density Metering factory assembled enclosure for multi-tenant properties

Table 4.37: High Density Metering Cabinet

Category	Meter	Enclosure Size	Number of Meters [10]	Enclosure Rating	Description
HDM	PM5110	1, 4 or 8	1–8	Type 1 or Type 3R	High Density Meter Enclosure with PM5110 meters; Modbus RTU serial communications; Ideal for single or three phase indoor commercial building applications
HDM	PM5330	1, 4 or 8	1–8	Type 1 or Type 3R	High Density Meter Enclosure with PM5330 meters; Modbus RTU serial communications; Ideal for single or three phase indoor commercial building applications
HDM	PM5340	1	1	Type 1 or Type 3R	High Density Meter Enclosure with PM5340 meters; Modbus TCP Ethernet Communications; Ideal for single or three phase indoor commercial building applications
HDM	PM5560	1, 4 or 8	1–8	Type 1 or Type 3R	High Density Meter Enclosure with PM5560 meters; Dual wiring for both Modbus RTU serial and Modbus TCP Ethernet communications; Ideal for single or three phase indoor commercial building applications

Table 4.38: Accessories

Description	Catalog No.
50 Amp HDM Solid Core Current Transformer, 1.13" window size	HDMCT050S1
100 Amp HDM Solid Core Current Transformer, 1.13" window size	HDMCT100S1
125 Amp HDM Solid Core Current Transformer, 1.13" window size	HDMCT125S1
150 Amp HDM Solid Core Current Transformer, 1.13" window size	HDMCT150S1
200 Amp HDM Solid Core Current Transformer, 1.13" window size	HDMCT200S1
250 Amp HDM Solid Core Current Transformer, 1.13" window size	HDMCT250S1
400 Amp HDM Solid Core Current Transformer, 1.13" window size	HDMCT400S1

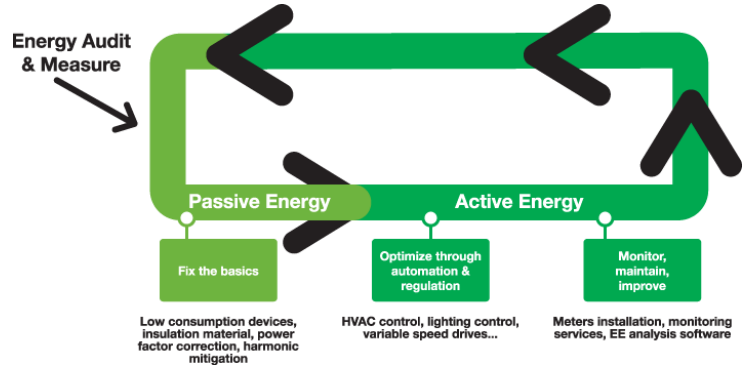


[10] Meters Ordering Notes: Please indicate the number of meters to be pre-installed when placing your order. You may order any number of meters in the enclosure between one and the maximum number of meters each cabinet will hold.



## Reactive Power Compensation and Harmonic Mitigation Solutions

How can reactive power compensation and harmonic mitigation solutions be part of your energy efficiency programs?



Power factor is a measure of how efficiently you are using electricity. In an electric power system, a load with low power factor draws more current than a load with a high power factor for the same amount of real power transferred. Utility customers with a low power factor could realize an increase or penalty in their electric bill. Over time, these penalties may reach into thousands of dollars, depending upon the utility's rate structure.

Harmonics may disrupt normal operation of other devices and increase operating costs. Symptoms of problematic harmonic levels include overheating of transformers, motors and cables, thermal tripping of protective devices, logic faults of digital devices and drives. Harmonics can cause vibrations and noise in electrical machines (motors, transformers, reactors). The life span of many devices can be reduced by elevated operating temperature.

**As a leader in the field of power quality, Schneider Electric offers the products and services needed to ensure that the most reliable and cost effective solution is applied within your facility. We can help you select the right solution for your application, for greenfield or brownfield projects. Please visit us at <https://www.se.com/us/powerandenergy>.**

**Table 4.39: Descriptions, Applications, and Features**

Product Description	Application	Product Features
VarSet Standard	Power Factor Correction	Suited for centralized power factor correction in applications where plant loading is constantly changing, resulting in the need for varying amounts of reactive power. Designed for electrical networks with little or no harmonic content.
VarSet Detuned	Power Factor Correction	Suited for centralized power factor correction in applications containing harmonic energies that would otherwise damage standard automatic capacitor banks
VarSet Fast	Power Factor Correction	Contains enhanced technology utilizing solid state switching elements that replace standard electromechanical contactors. Provides quicker response to load fluctuations with transient free capacitor switching.
VarSet Hybrid	Power Factor Correction and Harmonic Filtering	Provides instantaneous and infinitely variable reactive power compensation for industrial networks containing highly transient or unstable loads, as well as system compensation for large AC motor inrush current. It integrates conventional power factor correction systems and the latest IGBT-based solutions to provide ultra rapid response and infinitely variable KVAR control.
AccuSine PFV+	Power Factor Correction	Provides reactive current compensation for specific and high performance systems. It can eliminate leading or lagging power factor, reduce voltage fluctuations, enhance equipment operating life, and improve system power capacity.
AccuSine PCS+ and PCSn	Power Factor Correction and Harmonic Filtering	It is a flexible, high performance, cost-effective solution to stabilize electrical networks by providing harmonic mitigation, power factor correction, and load balancing. It monitors a distorted electrical signal and determines the frequency and magnitude of harmonics in the signal. It cancels the harmonic content with the dynamic injection of opposing phase current in the distribution system or individual load.

**VarSet Capacitor Banks**

Rebranded!

**Your load variation**

Variable or unstable load

Load sensitive to transient switching

Automatic compensation

Network harmonic pollution level

TDDI	<8%
THD(U)	<3%

TDDI	<20%
THD(U)	<7%

Choose  
**VarSet Standard**

Choose  
**VarSet Detuned**

**480 V - 60 Hz**  
from 75 kvar to 300 kVAr

**480 V - 60 Hz**  
from 75 to 800 kVAr

Automatic and transient-free compensation

TDDI	< 8%
THD(U)	<5%

Choose  
**VarSet Fast**

**480 V - 60 Hz**  
from 450 kvar to 1200 kvar

**EcoStruxure™**  
Innovation At Every Level

**EcoStruxure™ Power ready**

- Seamless integration thanks to embedded Modbus communication
- Remote equipment follow up & control
- Remote troubleshooting
- Enable analytics & mobile benefits of EcoStruxure™ Power

**VarSet Standard Capacitor Banks**

The VarSet™ standard automatic capacitor banks provide an easy way to maintain your facility's power factor at an ideal level for maximum system efficiency and savings. Designed for easy installation, this series of wall-mounted capacitor banks has a small footprint, provides you with power factor improvement and improved reliability while saving valuable space.

Rebranded!



VLVAV2N

**Environment**

- Installation: Indoor
- Ambient temperature: 15 °F to 104 °F (-10 °C to 40 °C)
- Humidity: Up to 95%
- Maximum altitude: 6500 feet (2000 m)

**Standards**

- CSA 22.2 No. 190
- UL810, UL508a

**Environmental Certifications**

- Produced in 14001 certified plants, product environmental profile available

**Table 4.40: General Characteristics**

VarSet Standard Capacitor Banks	
<b>Electrical Characteristics</b>	
Rated voltage ( Un ) / Frequency	480 V / 60 Hz
Capacitance Tolerance	-5% +10%
Connection type	Three-phase
Power losses	< 2.5 W per kvar
Maximum permissible over current	1.35 x In
Maximum permissible over voltage	1.1 x Un, 8 h per 24 h
<b>Enclosure</b>	
Degree of protection	NEMA 1
Color	RAL 7035
<b>Controller</b>	
VarPlus Logic	VarPlus Logic controller with embedded Modbus communication
<b>Head Circuit Breaker Protection</b>	
Without incoming circuit breaker	Lug connection LV PFC Bank must be protected by a circuit breaker or by a fused disconnect on upstream switchboard
With incoming circuit breaker	PowerPact with rotary handle
<b>Step</b>	
Capacitors Type	Varplus Can 575 V for network voltage 480 V Maximum overcurrent 1.8 x In 3 ph overpressure disconnection system Discharge resistor 50 V - 1 min
Contactors	Dedicated to capacitor switching
Circuit breaker protection	PowerPact
<b>Temperature Control</b>	
Double control	By thermostat and by controller
<b>Communication</b>	
ModBus	RS485
<b>Installation</b>	
Customer connection	Top Entry
Auxiliary transformer	120 V included, no need for additional supply
CT not included (see <a href="#">Current Transformer Selection, page 4-39</a> )	5 VA - secondary 1 or 5 A To be installed upstream of the load and capacitor bank
GenSet contact	Available for disconnection with generator
Alarm contact	Available for remote warning signal

**Table 4.41: VarSet Standard Capacitor Banks**

Catalog No.	Power (kVAr)	Smallest step	Resolution	No. of electrical steps	No. of physical steps	Enclosure size (H * W * D)	Max weight
<b>With incoming circuit breaker</b>							
VLVAV2N66075AB	75	12.5	12.5 + 25 + 37.5	6	3	33.5 x 31.5 x 15.7 inch (850 x 800 x 400 mm)	80 kgs / 175 lbs
VLVAV2N66100AB	100	25	25 + 25 + 50	4	3		
VLVAV3N66125AB	125	25	25 + 50 + 50	5	3	47.2 x 39.4 x 15.7 inch (1200 x 1000 x 400 mm)	125 kgs / 275 lbs
VLVAV3N66150AB	150	25	25 + 25 + 2 x 50	6	4		
VLVAV3N66175AB	175	25	25 + 3 x 50	7	4		
VLVAV3N66200AB	200	25	25 + 25 + 3 x 50	5	5		
VLVAV3N66225AB	225	25	25 + 4 x 50	9	5		
VLVAV3N66250AB	250	25	5 x 50	5	5		
VLVAV3N66275AB	275	25	25 + 5 x 50	11	6		
VLVAV3N66300AB	300	50	6 x 50	6	6		
<b>With main lugs</b>							
VLVAV2N66075AA	75	12.5	12.5 + 25 + 37.5	6	3	33.5 x 31.5 x 15.7 inch (850 x 800 x 400 mm)	80 kgs / 175 lbs
VLVAV2N66100AA	100	25	25 + 25 + 50	4	3		
VLVAV3N66125AA	125	25	25 + 50 + 50	5	3	47.2 x 39.4 x 15.7 inch (1200 x 1000 x 400 mm)	125 kgs / 275 lbs
VLVAV3N66150AA	150	25	25 + 25 + 2 x 50	6	4		
VLVAV3N66175AA	175	25	25 + 3 x 50	7	4		
VLVAV3N66200AA	200	25	25 + 25 + 3 x 50	5	5		
VLVAV3N66225AA	225	25	25 + 4 x 50	9	5		
VLVAV3N66250AA	250	25	5 x 50	5	5		

Rebranded!



AV6000



VLVAF4P

**Environment**

- Installation: Indoor
- Ambient temperature: 15 °F to 104 °F (-10 °C to 40 °C)
- Humidity: Up to 95%
- Maximum altitude: 6500 feet (2000 m)

**Standards**

- CSA 22.2 No. 190
- UL810, UL508a

**Environmental Certifications**

- Produced in 14001 certified plants, product environmental profile available

**VarSet Detuned Capacitor Banks**

The VarSet Detuned automatic capacitor banks provide power factor correction in electrical distribution networks with moderate levels of harmonic content. The series capacitor and reactor combination is tuned below the first dominant harmonic order (usually the 5th). This prevents resonance and harmonic amplification.

**Table 4.42: General Characteristics**

VarSet Detuned Capacitor Banks	
<b>Electrical Characteristics</b>	
Rated voltage ( Un ) / Frequency	480 V / 60 Hz
Capacitance Tolerance	-5% +10%
Connection type	Three-phase
Power losses	< 6 W per kvar
Maximum permissible over current	1.3 x In
Maximum permissible over voltage	1.1 x Un, 8h per 24h
<b>Enclosure</b>	
Degree of protection	NEMA 1
Color	RAL 7035 (VLV model ) or ASA 49 ( AV/BV Model )
<b>Controller</b>	
VarPlus Logic	VarPlus Logic controller with embedded Modbus communication
<b>Head Protection</b>	
Without incoming circuit breaker	Lug connection LV PFC Bank must be protected by a circuit breaker or by a fused disconnect on upstream switchboard
With incoming circuit breaker	PowerPact with rotary handle
<b>Step</b>	
Capacitors	Varplus Can 575 V for network voltage 480 V Maximum overcurrent 1.8 xIn 3 ph overpressure disconnection system Discharge resistor 50 V - 1 mn
Contactors	Dedicated to capacitor switching
Detuned reactor	Varplus DR Overheating protection by thermostat
Circuit breaker protection	PowerPact
<b>Temperature Control</b>	
Double control	By thermostat and by controller
<b>Communication</b>	
ModBus	RS485
<b>Installation</b>	
Customer connection	Top Entry
Auxiliary transformer	120 V included, no need of additional supply
CT not included (see <a href="#">Current Transformer Selection, page 4-39</a> )	5 VA - secondary 1 or 5 A To be installed upstream of the load and capacitor bank
GenSet contact	Available for disconnection with generator
Alarm contact	Available for remote warning signal

**Options available by request:**

- Fixed stages (by controller programming)
- Custom staging ratios
- Other voltages and frequencies
- Outdoor arrangement - Built to NEMA 3R (AV/BV models only)
- Bottom cable entry to main lugs (AV models only)
- Bottom cable entry to main breaker (BV models only)

Table 4.43: VarSet Detuned Capacitor Banks

Catalog No.	Power (kVAR)	Smallest step	Resolution	No. of electrical steps	No. of physical steps	Enclosure size (H * W * D)	Max weight
<b>With incoming circuit breaker</b>							
VLVAF4P66075AB	75	25	25 + 50	6	6	47.2 x 51.2 x 15.7 inch (1200 x 1300 x 400 mm)	265 kgs / 585 lbs
VLVAF4P66100AB	100	25	25 + 25 + 50	4	4		
VLVAF4P66125AB	125	25	25 + 2 x 50	5	5		
VLVAF4P66150AB	150	25	25 + 25 + 2 x 50	6	6		
VLVAF4P66175AB	175	25	25 + 3 x 50	7	7		
VLVAF4P66200AB	200	50	4 x 50	5	5		
BV025046CV5F1N	250	50	50 + 2 x 100	5	5	91.5 x 30 x 36 inch (2324 x 762 x 915 mm)	747 kgs / 1650 lbs
BV030046BV5F1N	300	50	50 + 50 + 2 x 100	6	6		793 kgs / 1750 lbs
BV035046CV5F2N	350	50	50 + 3 x 100	7	7	91.5 x 60 x 36 inch (2324 x 1524 x 915 mm)	1110 kgs / 2450 lbs
BV040046AV8F2N	400	100	4 x 100	4	4		1155 kgs / 2550 lbs
BV045046CV5F2N	450	50	50 + 4 x 100	9	9		1223 kgs / 2700 lbs
BV050046AV8F2N	500	100	5 x 100	5	5		1291 kgs / 2850 lbs
BV055046CV5F2N	550	50	50 + 5 x 100	11	11		1359 kgs / 3000 lbs
BV060046AV8F2N	600	100	6 x 100	6	6		1427 kgs / 3150 lbs
BV065046CV5F2N	650	50	50 + 6 x 100	13	13		1495 kgs / 3300 lbs
BV070046AV8F2N	700	100	7 x 100	7	7		1563 kgs / 3450 lbs
BV075046CV5F3N	750	50	50 + 7 x 100	15	15		1835 kgs / 4050 lbs
BV080046AV8F3N	800	100	8 x 100	8	8		1903 kgs / 4200 lbs
<b>With main lugs</b>							
VLVAF4P66075AA	75	25	25 + 50	6	2	47.2 x 51.2 x 15.7 inch (1200 x 1300 x 400 mm)	265 kgs / 585 lbs
VLVAF4P66100AA	100	25	25 + 25 + 50	4	3		
VLVAF4P66125AA	125	25	25 + 2 x 50	5	3		
VLVAF4P66150AA	150	25	25 + 25 + 2 x 50	6	4		
VLVAF4P66175AA	175	25	25 + 3 x 50	7	4		
VLVAF4P66200AA	200	50	4 x 50	5	4		
AV025046CV5F1N	250	50	50 + 2 x 100	5	3	91.5 x 30 x 36 inch (2324 x 762 x 915 mm)	612 kgs / 585 lbs
AV030046BV5F1N	300	50	50 + 50 + 2 x 100	6	4		657 kgs / 1450 lbs
AV035046CV5F1N	350	50	50 + 3 x 100	7	4	725 kgs / 1600 lbs	
AV040046AV8F1N	400	100	4 x 100	4	4	793 kgs / 1750 lbs	
AV045046CV5F2N	450	50	50 + 4 x 100	9	5	1132 kgs / 2500 lbs	
AV050046AV8F2N	500	100	5 x 100	5	5	91.5 x 60 x 36 inch (2324 x 1524 x 915 mm)	1200 kgs / 2650 lbs
AV055046CV5F2N	550	50	50 + 5 x 100	11	6		1268 kgs / 2800 lbs
AV060046AV8F2N	600	100	6 x 100	6	6		1336 kgs / 2950 lbs
AV065046CV5F2N	650	50	50 + 6 x 100	13	7		1404 kgs / 3100 lbs
AV070046AV8F2NN	700	100	7 x 100	7	7		1472 kgs / 3250 lbs
AV075046CV5F2N	750	50	50 + 7 x 100	15	8		1540 kgs / 3400 lbs
AV080046AV8F2N	800	100	8 x 100	8	8		1608 kgs / 3550 lbs

Rebranded!

### VarSet Fast Capacitor Banks

The VarSet Fast detuned automatic capacitor banks are suitable for nearly all electrical networks and are ideal for correcting poor power factor in electrical networks with a high concentration of electronic loads. Instead of traditional electromechanical contactor switching, it uses an advanced controller to precisely activate electronic switching elements to connect capacitor stages and avoid the creation of transients.



AT6000 Transient Free Capacitor Bank

#### Environment

- Installation: Indoor
- Ambient temperature: 15 °F to 104 °F (-10 °C to 40 °C)
- Humidity: Up to 95%
- Maximum altitude: 6500 feet (2000 m)

#### Standards

- CSA 22.2 No. 190
- UL810, UL508a

#### Environmental Certifications

- Produced in 14001 certified plants, product environmental profile available

Table 4.44: General Characteristics

VarSet Fast Capacitor Banks	
<b>Electrical Characteristics</b>	
Rated voltage ( U <sub>n</sub> ) / frequency	480 V, 600 V / 60 Hz
Capacitance tolerance	-5% +10%
Connection type	Three-phase
Power losses	< 13 W per kvar
Maximum permissible over current	1.3 x I <sub>n</sub>
Maximum permissible over voltage	1.1 x U <sub>n</sub> , 8 h per 24 h
<b>Enclosure</b>	
Degree of protection	NEMA 1
Color	ASA 49
<b>Controller</b>	
VarPlus logic	VarPlus logic controller with embedded Modbus communication
<b>Head Protection</b>	
Without incoming circuit breaker	Lug connection LV PFC Bank must be protected by a circuit breaker or by a fused disconnect on upstream switchboard
With incoming circuit breaker	RKL type with rotary handle
<b>Step</b>	
Capacitors	Varplus Can 575 V for network voltage 480 V
	Maximum overcurrent 1.8 x I <sub>n</sub>
	3 ph overpressure disconnection system
	Discharge resistor 50 V - 1 min
Transient free switches	Electronically controlled to avoid capacitor switching transients
Detuned reactor	VarPlus DR Overheating protection by thermostat
Circuit breaker protection	HLL or JLL type according to step size
<b>Temperature Control</b>	
Double control	By thermostat and by controller
<b>Communication</b>	
ModBus	RS485
<b>Installation</b>	
Customer connection	Top entry
Auxiliary transformer	120 V included, no need of additional supply
CT not included ( See <a href="#">Current Transformer Selection, page 4-39</a> )	5 VA - secondary 1 or 5 A To be installed upstream of the load and capacitor bank
GenSet contact	Available for disconnection with generator
Alarm contact	Available for remote warning signal

#### Options available by request:

- Fixed stages (by controller programming )
- Custom staging ratios
- Other voltages and frequencies
- Outdoor arrangement - Built to NEMA 3R (AV/BV models only)
- Bottom cable entry to main lugs or main breaker requires incoming cubicle

Table 4.45: VarSet Fast Capacitor Banks

Catalog No.	Power (kVAR)	Smallest step	Resolution	No. of electrical and physical steps	Enclosure size ( H * W * D )	Max weight
<b>With incoming circuit breaker</b>						
BT045046AVBF2N	450	150	3 x 150	6	91.5 x 30 x 36 inch (2324 x 762 x 915 mm)	900 kgs / 2000 lbs
BT060046AVBF2N	600	150	4 x 150	4	91.5 x 60 x 36 inch (2324 x 1524 x 915 mm)	1400 kgs / 3100 lbs
BT090046AVBF3N	900	150	6 x 150	5	91.5 x 60 x 36 inch (2324 x 1524 x 915 mm)	1540 kgs / 3400 lbs
BT120046AVBF3N	1200	150	8 x 150	6	91.5 x 90 x 36 inch (2324 x 2286 x 915 mm)	2310 kgs / 5100 lbs
<b>With main lugs</b>						
AT045046AVBF2N	450	150	3 x 150	6	91.5 x 30 x 36 inch (2324 x 762 x 915 mm)	770 kgs / 1700 lbs
AT060046AVBF2N	600	150	4 x 150	4	91.5 x 60 x 36 inch (2324 x 1524 x 915 mm)	1360 kgs / 3000 lbs
AT090046AVBF3N	900	150	6 x 150	5	91.5 x 60 x 36 inch (2324 x 1524 x 915 mm)	1500 kgs / 3300 lbs
AT120046AVBF3N	1200	150	8 x 150	6	91.5 x 90 x 36 inch (2324 x 2286 x 915 mm)	2270 kgs / 5000 lbs

### VarSet Current Transformers

A current transformer is required for automatic control and must be ordered in addition to the VarSet capacitor bank.

CT must be sized to your network and have a secondary rating of 5 A. When selecting a CT be sure to use proper rating factors for ambient temperature conditions.

For more information, please refer to the VarSet catalog.

**Table 4.46: Current Transformer Selection**

Catalog Number	Current Ratio
TRAI600SC07	600:5
TRAI800SC07	800:5
TRAI1000SC07	1000:5
TRAI1200SC07	1200:5
TRAI1500SC07	1500:5
TRAI1600SC07	1600:5
TRAI2000SC07	2000:5
TRAI2500SC07	2500:5
TRAI3000SC07	3000:5
TRAI3500SC07	3500:5
TRAI4000SC07	4000:5
TRAI1200SC11	1200:5
TRAI2000SC11	2000:5
TRAI2500SC11	2500:5
TRAI3000SC11	3000:5
TRAI3500SC11	3500:5
TRAI4000SC11	4000:5
TRAI5000SC11	5000:5
TRAI6000SC11	6000:5



### AccuSine PFV+ Electronic VAR Control

AccuSine PFV+ is a very simple and effective means to eliminate leading or lagging power factor, reduce voltage fluctuations, enhance equipment operating life, and improve system power capacity. AccuSine PFV+ offers many features in one package that others require multiple models to accomplish.

AccuSine PFV+ can help you solve:

- Power factor
- Imbalance (specifically important for motor applications)
- Voltage stability (such as localized photovoltaic networks)
- Flicker
- AccuSine PFV+ integrates with EcoStruxure™ Power's edge control power management and control software and analytics services that scale to your demands and adapt to your needs.

### AccuSine PFV+ Sizing

For proper sizing of AccuSine units, contact the Schneider Electric sales office or visit us at <https://www.se.com/us/powerandenergy>. To expedite the product selection process, please have a single line diagram and/or details of the application including sizes of transformers, non-linear and linear loads, and any existing filters and capacitors.

**Table 4.47: AccuSine PFV+ Selection**

PF Correction and Load Balancing (380-480V models 50/60Hz)							
Rated Current (A)	KVAR Rating @ Voltage	Catalog Number	Rating	Enclosure Style	Cable Entry	Frame	Weight lb (kg)
60 <sup>[1]</sup>	39.5 @ 380 41.6 @ 400 43.1 @ 415 49.9 @ 480	EVCP060D5IP00	IP00 (chassis)	Wall Mount	Bottom	1	194 (88)
		EVCP060D5N2	UL Type 2	Floor Standing	Top or Bottom	2	611 (277)
		EVCP060D5IP31	IP31				642 (291)
		EVCP060D5N12	UL Type 12				
		EVCP060D5IP54	IP54				
120 <sup>[2]</sup>	79.0 @ 380 83.1 @ 400 86.3 @ 415 99.8 @ 480	EVCP120D5IP00	IP00 (chassis)	Wall Mount	Bottom	3	249 (113)
		EVCP120D5N2	UL Type 2	Floor Standing	Top or Bottom	4	615 (279)
		EVCP120D5IP31	IP31				646 (293)
		EVCP120D5N12	UL Type 12				
		EVCP120D5IP54	IP54				
200 <sup>[3]</sup>	131.6 @ 380 138.6 @ 400 143.8 @ 415 166.3 @ 480	EVCP200D5IP00	IP00 (chassis)	Wall Mount	Bottom	5	377 (171)
		EVCP200D5N1	UL Type N1	Floor Standing	Top or Bottom	6	800 (363)
		EVCP200D5N2	UL Type 2				846 (384)
		EVCP200D5IP31	IP31				887 (402)
		EVCP200D5N12	UL Type 12				
EVCP200D5IP54	IP54						
300 <sup>[4]</sup>	197.5 @ 380 207.8 @ 400 215.6 @ 415 249.4 @ 480	EVCP300D5IP00	IP00 (chassis)	Wall Mount	Bottom	7	463 (210)
		EVCP300D5N1	UL Type N1	Floor Standing	Top or Bottom	8	887 (402)
		EVCP300D5N2	UL Type 2				930 (422)
		EVCP300D5IP31	IP31				961 (436)
		EVCP300D5N12	UL Type 12				
EVCP300D5IP54	IP54						

**Table 4.48: AccuSine PCS+ and AccuSine PFV+ Exterior Dimensions**

Frame Size	Exterior Dimensions		
	Height in (mm)	Width in (mm)	Depth in (mm)
1	51.18 (1300)	16.57 (421)	13.74 (349)
2	82.68 (2100)	31.50 (800)	19.69 (500)
3	55.12 (1400)	16.57 (421)	15.12 (384)
4	82.68 (2100)	31.50 (800)	19.69 (500)
5	52.09 (1323)	22.91 (582)	17.24 (438)
6	82.68 (2100)	35.43 (900)	23.62 (600)
7	61.42 (1560)	22.91 (582)	17.24 (438)
8	82.68 (2100)	35.43 (900)	23.62 (600)
9	82.68 (2100)	51.18 (1300)	19.69 (500)
10	82.68 (2100)	55.12 (1400)	23.62 (600)
11	78.74 (2000)	31.50 (800)	23.62 (600)

### AccuSine+ Wall Mount Conversion Kit

- Converts IP00 (UL Type Open) to IP20 (UL Type 1) wall mounted enclosed assemblies.
- Includes HMI mounting plate and cable entry enclosure for mounting on the bottom of the IP00 assemblies.

**Table 4.49: AccuSine+ Wall Mount Kits**

Wall Mount Kit Reference	Assembled Dimensions — IP20				IP20 Assembly Weight lb (kg)	Cable Entry Enclosure Weight lb (kg)
	Unit Rating (A)	Height in (mm)	Width in (mm)	Depth in (mm)		
PCSPWMKIT60A	60	60.24 (1530)	16.57 (421)	13.7 (349)	214.51 (97.3)	19.18 (8.7)
PCSPWMKIT120A	120	64.17 (1630)	16.57 (421)	15.12 (384)	269 (122)	20.5 (9.3)
PCSPWMKIT300A	200	64.64 (1642)	22.64 (575)	17.13 (435)	396.83 (180)	19 (8.6)
PCSPWMKIT300A	300	74 (1882)	22.64 (575)	17.13 (435)	481.93 (218.6)	19 (8.6)

[1] 60 A IP20/UL Type 1 configuration requires ordering two items: EVCP060D5IP00 and PCSPWMKIT60A; adds 9.12 in (232 mm) to length and 19.18 lb (8.7 kg).  
 [2] 120 A IP20/UL Type 1 configuration requires ordering two items: EVCP120D5IP00 and PCSPWMKIT120A; adds 9.13 in (232 mm) to length and 20.5 lb (9.3 kg).  
 [3] 200 A IP20/UL Type 1 configuration requires ordering two items: EVCP200D5IP00 and PCSPWMKIT300A; adds 10.75 in (273 mm) to length and 19 lb (8.6 kg).  
 [4] 300 A IP20/UL Type 1 configuration requires ordering two items: EVCP300D5IP00 and PCSPWMKIT300A; adds 10.75 in (273 mm) to length and 19 lb 8.6 kg).



## AccuSine Current Transformers

### Split-Core Design

#### Construction

Directional silicon steel is used for the flexible core. Secondary windings are of copper. Unit is encapsulated in silicone rubber, which protects against moisture, dirt, oil, and corona.

**Table 4.50: Specifications**

Description	Specification	
Insulation Level	0.72 kV BIL 10 kV Full Wave	
Frequency	50-400 Hz	
Thermal Factor	1.25 at 30 °C; 1.0 at 55 °C	
Operating Temp Range	-45 °C to +55 °C	
Altitude	Up to 4000 Meters	
Accuracy (Primary rating)	200 through 300	4 %
	400 through 500	3 %
	600 through 800	2 %
	1000 through 6000	1 %
Secondary Leads	3.65 m with spade connectors	
Color	Transformer (red) - Leads (yellow)	
Remains flexible from -45° to +200 °C		



Twisting motion opens to CT diameter of round CT and smaller distance of rectangular CT.  
NOTE: Open split-core with a twisting motion only.

**Table 4.51: Round Split-Core Design**

Reference Number by Secondary Current		Maximum load (A)	Inside diameter (ID) in (mm) - A	Burden Capacity (Ω)		Weight lb (kg)
5 A	1 A			5 A	1 A	
PCSPCTFCL50054	PCSPCTFCL50014	500	4 (101.6)	0.120	2.0	3.35 (1.6)
PCSPCTFCL100054	PCSPCTFCL100014	1000	4 (101.6)	0.200	10.0	3.53 (1.6)
PCSPCTFCL150054	—	1500	4 (101.6)	0.375	15.0	3.53 (1.6)
PCSPCTFCL160054	—	1600	4 (101.6)	0.375	15.0	3.53 (1.6)
PCSPCTFCL50056	—	500	6 (152.4)	0.120	2.0	4.19 (1.9)
—	PCSPCTFCL100016	1000	6 (152.4)	0.200	10.0	4.19 (1.9)
PCSPCTFCL120056	—	1200	6 (152.4)	0.200	15.0	4.19 (1.9)
PCSPCTFCL150056	PCSPCTFCL150016	1500	6 (152.4)	0.375	15.0	4.19 (1.9)
PCSPCTFCL200056	PCSPCTFCL200016	2000	6 (152.4)	1.000	18.0	4.19 (1.9)
PCSPCTFCL250056	—	2500	6 (152.4)	1.400	20.0	4.19 (1.9)
PCSPCTFCL300056	—	3000	6 (152.4)	1.800	20.0	4.19 (1.9)
—	PCSPCTFCL200018	2000	8 (203.2)	1.000	18.0	5.51 (2.5)
PCSPCTFCL250058	—	2500	8 (203.2)	1.400	20.0	5.51 (2.5)
PCSPCTFCL400058	—	4000	8 (203.2)	1.800	20.0	5.51 (2.5)
PCSPCTFCL500058	—	5000	8 (203.2)	1.800	20.0	5.51 (2.5)
PCSPCTFCL2500511	—	2500	11 (279.4)	1.400	20.0	7.5 (3.4)



Twisting motion opens to CT diameter of round CT and smaller distance of rectangular CT.  
NOTE: Open split-core with a twisting motion only.

Table 4.52: Rectangular Split-Core Design

Reference Number by Secondary Current		Maximum load (A)	Inside diameter (ID) in (mm)		Burden Capacity (Ω)		Weight lb (kg)
5 A	1 A		A	B	5 Amp	1 Amp	
PCSPCTFCL5005R	PCSPCTFCL5001R	500	2.74 (69.8)	6.6 (168.2)	0.12	2.0	4.19 (1.9)
PCSPCTFCL10005R	PCSPCTFCL10001R	1000	2.74 (69.8)	6.6 (168.2)	0.2	10.0	4.19 (1.9)
PCSPCTFCL12005R	PCSPCTFCL12001R	1200	2.74 (69.8)	6.6 (168.2)	0.2	15.0	4.19 (1.9)
PCSPCTFCL15005R	PCSPCTFCL15001R	1500	2.74 (69.8)	6.6 (168.2)	0.375	15.0	4.19 (1.9)
PCSPCTFCL16005R	PCSPCTFCL16001R	1600	2.74 (69.8)	6.6 (168.2)	0.375	15.0	4.19 (1.9)
PCSPCTFCL20005R	—	2000	2.74 (69.8)	6.6 (168.2)	1	18.0	4.19 (1.9)
PCSPCTFCL30005R	—	3000	2.74 (69.8)	6.6 (168.2)	1.8	20.0	4.19 (1.9)
PCSPCTFCL25005R411	PCSPCTFCL25001R411	2500	4 (101.6)	11 (279.4)	1.4	20.0	6.17 (2.8)
PCSPCTFCL30005R411	—	3000	4 (101.6)	11 (279.4)	1.8	20.0	6.17 (2.8)
PCSPCTFCL40005R411	—	4000	4 (101.6)	11 (279.4)	1.8	20.0	6.17 (2.8)
PCSPCTFCL50005R411	—	5000	4 (101.6)	11 (279.4)	1.8	20.0	6.17 (2.8)

Round Solid-Core Design

Table 4.53: Specifications

Description	Specification
Frequency	50-400 Hz
Class	0.6 kV, 10 kV BIL Full Wave
Flexible Leads	UL1015, 105 °C; CSA approved; 16 AWG (1.31 mm <sup>2</sup> ), 609.6 mm
Weight	Approximately 0.68 kg
Accuracy	1 %

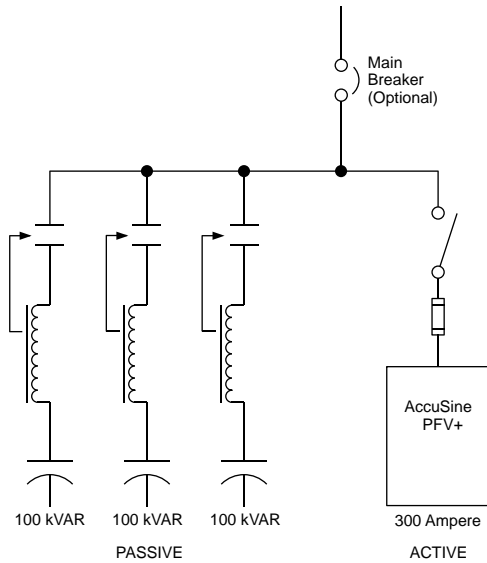


Table 4.54: Round Solid-Core Design

Reference Number by secondary current		Maximum load (Amps)	Burden Capacity (Ω)	
5 Amps	1 Amp		5 Amp	1 Amp
—	PCSPCT7RL2011	200	0.5	5.0
PCSPCT7RL3015	PCSPCT7RL3011	300	0.5	5.0
PCSPCT7RL4015	PCSPCT7RL4011	400	0.6	7.5
PCSPCT7RL5015	PCSPCT7RL5011	500	1.0	10.0
PCSPCT7RL6015	PCSPCT7RL6011	600	1.2	12.5
PCSPCT7RL7515	PCSPCT7RL7511	750	1.2	12.5
PCSPCT7RL8015	PCSPCT7RL8011	800	1.4	20.0
PCSPCT7RL1025	PCSPCT7RL1021	1000	1.4	25.0
PCSPCT7RL1225	PCSPCT7RL1221	1200	1.4	15.0
PCSPCT7RL1525	PCSPCT7RL1521	1500	1.6	20.0
PCSPCT7RL1625	PCSPCT7RL1621	1600	2.0	25.0

## VarSet Hybrid

Rebranded!



Topology (Typical)

### Main Features:

- Ultra fast reactive current compensation for transient or cyclical loads
- Infinitely variable control
- Instantaneous response for inrush support
- Independently compensates each phase
- Heavy duty dry capacitors provide no risk of fluid leakage, no environmental pollution, and no need for drip pans
- Detuned iron core reactors prevent resonance
- IGBT based power electronic technology
- Stepless power factor correction
- Best-in-class harmonic cancellation up to 50th harmonic and less than 3% THDi
- Energy efficient 3-level IGBT inverter technology
- All major components from Schneider Electric

Power quality issues like harmonics and reactive power can cause problems including equipment damage and reduced reliability. In industrial networks, highly fluctuating loads like spot welders can cause voltage fluctuations and/or flicker that can lead to process malfunctions. The detrimental effects are increased operating expenses, expensive downtime, overheating equipment or poor quality on manufactured parts.

VarSet Hybrid systems provide instantaneous and infinitely variable power factor correction for industrial networks containing highly transient or unstable loads, as well as system compensation for large AC motor inrush current.

The VarSet Hybrid system integrates conventional power factor correction systems and the latest IGBT-based solutions to provide ultra rapid response and infinitely variable kVAR control never before seen in a power factor correction product. Specifically designed for the instantaneous support required by welding equipment, the VarSet Hybrid eliminates voltage sags and voltage flicker while increasing system capacity, providing energy savings and improving weld quality. It also provides current inrush support for applications such as large horsepower motor starting. The VarSet Hybrid is comprised of a Detuned Capacitor Bank with either an Active Harmonic Filter or an Electronic Var Compensator.

Active Harmonic Filters (AHF) are static power electronic products that employ digital logic and IGBT semiconductors to synthesize a current waveform that is injected into the electrical network to cancel harmonic currents caused by nonlinear loads. AHF employ current transformers to measure the load current to determine the content of harmonic current present. By injecting the synthesized current, network harmonic currents are greatly mitigated, thus reducing the heating effects of harmonic current and reducing voltage distortion.

AHF also have the ability to correct for poor displacement power factor (DPF) and provide for mains current balancing. DPF correction can be provided for either leading (capacitive) or lagging (inductive) loads. Mains current balancing is achieved by measuring the negative sequence current present and injecting the inverse negative sequence current to balance the current for the upstream network.

An Electronic Var Compensator (EVC) is a power electronic device consisting of insulated gate bipolar transistors (IGBT) that switch into the AC lines to modulate the output to correct the displaced reactive current (leading or lagging) and balance the current for the power source (also known as negative sequence current).

Detuned Capacitor Banks are automatic capacitor banks made of several capacitor steps controlled by a power factor (PF) controller. They are able to adjust PF to any value between 0.8 lagging and unity. When the PF differs from the target setting for more than 1 second, the capacitor switching modules switch stages as needed to bring the PF as close as possible to the target PF. Switching can be accomplished by electro-mechanical contactors or solid state switches.

The VarSet Hybrid is a custom solution that is engineered to order. Your local Schneider Electric representative can help you select the correct hybrid solution for your specific needs. To learn more, visit us at <https://www.se.com/us/powerandenergy>.



### AccuSine PCS+ Active Harmonic Filter (AHF)

AccuSine PCS+ Active Harmonic Filter (AHF) injects harmonic current to cancel harmonic current in the electrical distribution system. This reduced harmonic level results in improved electrical network reliability and reduced operating cost. AccuSine PCS+ is simple to size, install, set up and operate. In addition, AccuSine PCS+ eliminates the complex harmonic compliance limit calculations and removes nuisance harmonics from the electrical network.

**The Problem:** Power electronic devices that have rapid and frequent load variations have become abundant today due to their many process control related and energy saving benefits. However, they also bring a few major drawbacks to electrical distribution systems; harmonics and rapid change of reactive power requirement. Harmonics may disrupt normal operation of other devices and increase operating costs. Symptoms of problematic harmonic levels include overheating of transformers, motors, drives, cables, thermal tripping of protective devices and logic faults of digital devices. In addition, the life span of many devices can be reduced by elevated operating temperature.

**The Solution:** The AccuSine PCS+ AHF provides the simplest and most effective means to mitigate harmonics, to reduce process related voltage fluctuations. The AccuSine PCS+ AHF actively injects opposite harmonics current on the source side of the load and it:

- Decreases harmonic related overheating of cables, switchgear and transformers
- Reduces downtime caused by nuisance thermal tripping of protective devices
- Increases electrical network reliability and reduces operating costs
- Corrects to the 51st harmonic, reduce harmonics level to meet IEEE 519, IEC 61000 3-4, and UK G5/4-1 standards.
- Compensates entire network or specific loads depending on installation point

**Standard Features:**

- Real-time dynamic current injection for harmonic cancellation and VAR compensation (lead or lag power factor)
- Load balancing capability
- Parallel connection allows for easy retrofit and installation of multiple units for large networks
- Response to load fluctuations within 2 cycles for harmonics, 1/4 cycle for power factor or load balancing
- Full color touch screen HMI (Human Machine Interface)
- UL Type 1, UL Type 2, UL Type 12, IP31, and IP54 enclosures
- Seismic rated per ICC IBC and ASCE 7
- UL, CE, ABS, and CSA certified
- AccuSine PCS+ integrates with EcoStruxure™ Power's edge control power management and control software and analytics services that scale to your demands and adapt to your needs.

**AccuSine PCS+ Sizing:** For proper sizing of AccuSine units, contact your local Schneider Electric representative or visit us at <https://www.se.com/us/powerandenergy>. To expedite the product selection process, please have a single line diagram and/or details of the application including sizes of transformers, non-linear and linear loads, and any existing filters and capacitors.

**Table 4.55: PCS+ Active Harmonic Filter Selection**

AccuSine PCS+ (380–480 V, 50/60 Hz)							
Rated Current	KVAR Rating @ Voltage	Catalog Number	Enclosure			Frame	Weight lb (kg)
			Rating	Style	Cable Entry		
60[5]	39.5 @ 380 41.6 @ 400 43.1 @ 415 49.9 @ 480	PCSP060D5IP00	IP00 (chassis)	Wall Mount	Bottom	1	194 (88)
		PCSP060D5N2	UL Type 2	Floor Standing	Top or Bottom	2	611 (277)
		PCSP060D5IP31	IP31				
		PCSP060D5N12	UL Type 12				
		PCSP060D5IP54	IP54	Wall Mount	Bottom	3	249 (113)
PCSP120D5IP00	IP00 (chassis)						
120[6]	79.0 @ 380 83.1 @ 400 86.3 @ 415 99.8 @ 480	PCSP120D5N2	UL Type 2	Floor Standing	Top or Bottom	4	615 (279)
		PCSCP120D5IP31	IP31				
		PCSP120D5N12	UL Type 12				
		PCSP120D5IP54	IP54	Wall Mount	Bottom	5	377 (171)
		PCSP200D5IP00	IP00 (chassis)				
200[7]	131.6 @ 380 138.6 @ 400 143.8 @ 415 166.3 @ 480	PCSP200D5N1	UL Type N1	Floor Standing	Top or Bottom	6	846 (384)
		PCSP200D5N2	UL Type 2				
		PCSP200D5IP31	IP31				
		PCSP200D5N12	UL Type 12	Wall Mount	Bottom	7	463 (210)
		PCSP200D5IP54	IP54				
		PCSP300D5IP00	IP00 (chassis)				
300[8]	197.5 @ 380 207.8 @ 400 215.6 @ 415 249.4 @ 480	PCSP300D5N1	UL Type N1	Floor Standing	Top or Bottom	8	930 (422)
		PCSP300D5N2	UL Type 2				
		PCSP300D5IP31	IP31				
		PCSP300D5N12	UL Type 12	Wall Mount	Bottom	11	887 (402)
		PCSP300D5IP54	IP54				
		PCSP300D5IP00	IP00 (chassis)				

[5] 60 A IP20/UL Type 1 configuration requires ordering two items: PCSP060D5IP00 and PCSPWMKIT60A; adds 9.13 in (232 mm) to IP00 length and 19.18 lb (8.7 kg).

[6] 120 A IP20/UL Type 1 configuration requires ordering two items: PCSP120D5IP00 and PCSPWMKIT120A; adds 9.13 in (232 mm) to IP00 length and 20.5 lb (9.3 kg).

[7] 200 A IP20/UL Type 1 configuration requires ordering two items: PCSP200D5IP00 and PCSPWMKIT300A; adds 10.75 in (273 mm) to IP00 length and 19 lb (8.6 kg).

[8] 300 A IP20/UL Type 1 configuration requires ordering two items: PCSP300D5IP00 and PCSPWMKIT300A; adds 10.75 in (273 mm) to IP00 length and 19 lb (8.6 kg).



### AccuSine PCSn Active Harmonic Filter (AHF)

Part of the AccuSine+ family, the AccuSine PCSn is the ideal solution for harmonic mitigation in commercial buildings, light industry, and other less-harsh environments. In addition to 3-phase mitigation, AccuSine PCSn can compensate for neutral harmonic currents, typically present in building and commercial environments where single-phase non-linear loads are present.

- Configurable: One solution for multiple needs, AccuSine PCSn can be configured for Harmonic Mitigation + PF Improvement + Mains Load Balancing.
- Best-in-class performance to reduce THDi < 3%: Built on award winning AccuSine+ technology, this guarantees a harmonic-free system, improving system reliability, and increasing operational efficiency and uptime.
- Power Factor (cosφ), THDi, and THDv setpoint features provide system-level visibility and control, ensuring that you comply with utility code, and that your system is running at optimal efficiency.
- Harmonic mitigation eliminates harmonic current in the neutral. In a 3-phase system, unbalanced loads introduce a current in the neutral. Applying the mains load balancing function reduces the neutral current to zero, resulting in a perfectly stable system.
- Smart commissioning: Automatic CT polarity detection and correction, intelligent paralleling algorithm saves you time through unit self-identification, system view allows commissioning of the entire system from any one unit.
- Simple Scalability: Add more AccuSine modules as your harmonic mitigation needs change with your load requirements, easily integrating new modules through intelligent paralleling capabilities.
- With conventional power quality solutions you need high capital investment, incur large operating costs and may find it difficult to comply with IEEE 519 guidelines. The PCSn is the perfect alternative to conventional solutions like Harmonic Mitigation Transformers, Isolation Transformers, Passive Filters, Dual winding transformers.
- AccuSine PCSn integrates with EcoStruxure™ Power's edge control power management and control software and analytics services that scale to your demands and adapt to your needs.
- CE and cULus certified.

**AccuSine PCSn Sizing:** For proper sizing of AccuSine units, contact your local Schneider Electric representative or visit us at <https://www.se.com/us/powerandenergy>. To expedite the product selection process, please have a single line diagram and/or details of the application including sizes of transformers, non-linear and linear loads, and any existing filters and capacitors.

Table 4.56: AccuSine PCSn Commercial References

AccuSine PCSn 208–415 V, 50/60 Hz, UL Type 1, Wall Mount								
Catalog Number	Rated Current (A)	Neutral Rated Current (A)	Rated kVAR @ 208 V	Unit Type	Breaker Rating Required (A) <sup>[9]</sup>	Exterior Dimensions (H x W x D)	Mass	Cable Entry
<a href="#">PCSN020Y4N1</a>	20 A	60 A	7.02	Main	25 A	57 in x 17.5 in x 10.5 in	163 lb	Bottom
<a href="#">PCSN030Y4N1</a>	30 A	90 A	10.8	Main	40 A		163 lb	
<a href="#">PCSN050Y4N1</a>	50 A	150 A	18.0	Main	63 A		163 lb	
<a href="#">PCSN060Y4N1</a>	60 A	180 A	21.6	Main	80 A		196 lb	
<a href="#">PCSN060Y4N1E</a>	60 A	180 A	21.6	Expansion	80 A		196 lb	

**NOTE:** All dimensions are indicative. Please refer to the dimensions in the installation manual and engineering drawings for design purposes.

<sup>[9]</sup> Applicable for TN-C, TN-S, TN-C-S grounding systems. For detailed information please refer to the AccuSine PCSn installation manual.