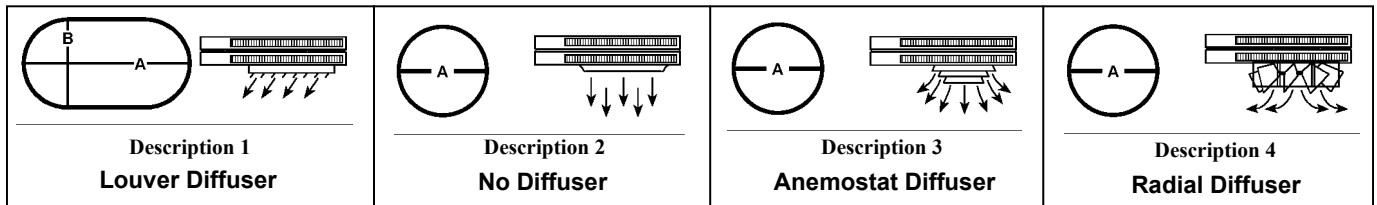


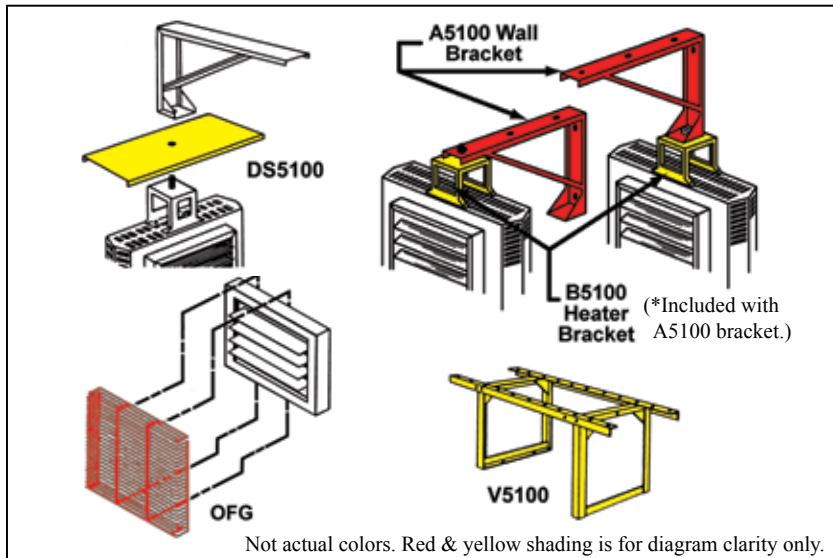
5100 Series Horizontal or Vertical Mounted Fan Forced Unit Heater

Diffuser Options

DESCRIPTION		MFG CATALOG NUMBER	MFG MODEL NUMBER	KW USED	MAX MOUNTING HEIGHT (ft.)		DIMENSION A (feet)		DIMENSION B (feet)	WT. (LBS)
1	Louver Diffuser (Standard). Louvers can be individually adjusted for rectangular coverage over doorways as an air curtain, or to meet rectangular floor pattern heating requirements.	NA	Standard	3.3-5 7.5-10 25-30 40-50	9	20	10	NA	NA	
					12	40	22			
					18	52	30			
					22	75	42			
					24	84	47			
2	General Distribution (No Diffuser). The 5100 air chute venturi permits general down flow air pattern distribution as required at a higher mounting height.	NA	Not Required	3.3-5 7.5-10 25-30 40-50	9	15	NA	NA		
					12	30				
					18	40				
					22	55				
					24	64				
3	Anemostat Diffuser (Optional). For applications where draft restriction is required at lower unit mounting heights.	06926802	AD5120	7.5-10	15	38	NA	10		
		06811802	AD5150	25-30	17	50		12		
		06811802	AD5150	40-50	20	60		37		
		07220702	AD5175	60-70	31	-				
4	Radial Diffuser (Optional). Individually adjustable fins permit increased floor coverage at 45° open. Additional throw is accomplished when fins are 90° vertical. (Please allow for higher mounting heights.)	06926602 06926602 06926702 06926702 07220802	RD5120 RD5120 RD5150 RD5150 RD5175	7.5-20 25-50 60-70	45°	90°	45°	90°	NA	12
					10	14	36	30		14
					14	21	42	35		14
					20	30	62	44		39
					18	28	68	54		
					26	36	72	60		



Mounting Brackets & Model Designator



MOUNTING BRACKETS			
MFG CATALOG NUMBER	MFG MODEL NUMBER	MODEL SIZE	WT. (LBS)
06926902	A5105	3.3 KW TO 5.0 KW	9
06927002	A5120	7.5 KW TO 20.0 KW	13
06927102	A5150	25.0 KW TO 50.0 KW	16
06886202	B5105	3.3 KW TO 20.0 KW	3
06886302	B5150	25.0 KW TO 50.0 KW	8
06928402	V5105	3.3 KW TO 5.0 KW	9
06928502	V5120	7.5 KW TO 20.0 KW	13
06928602	V5150	25.0 KW TO 50.0 KW	16
DUST SHIELD			
06928702	DS5105	3.3 KW TO 5.0 KW	3
06928802	DS5120	7.5 KW TO 20.0 KW	4
06812202	DS5150	25.0 KW TO 50.0 KW	5
FAN GUARD			
07065402	OFG5101	3.3 KW TO 5.0 KW	3
07065502	OFG5102	7.5 KW TO 20.0 KW	4
07065602	OFG5103	25.0 KW TO 50.0 KW	5

HOW TO DESIGNATE A MODEL:

