

# Service Equipment - Surface



Service Equipment

## 150A - Unmetered

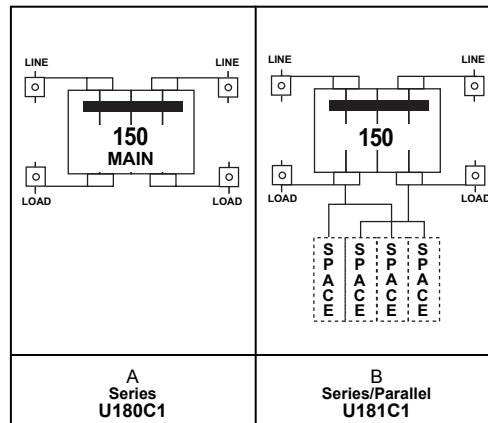


FIG.	MODEL NUMBER	INSTALLED BREAKER	SPACES	WIRE RANGE*	CABINET SIZE	LOAD CENTER		UNIT WT.	STD. PKG.	UL
						TOP	BOTTOM			
A	U180C1	CB4150H	0	AW	9 X 21	LCTL	LCBNS	15	1	Y
B	U181C1 <sup>1</sup>	CB4150H	4	AX	9 X 21	LCTL	LCBS	21	1	Y

<sup>1</sup> Series or Parallel Wired

## 200A - Unmetered

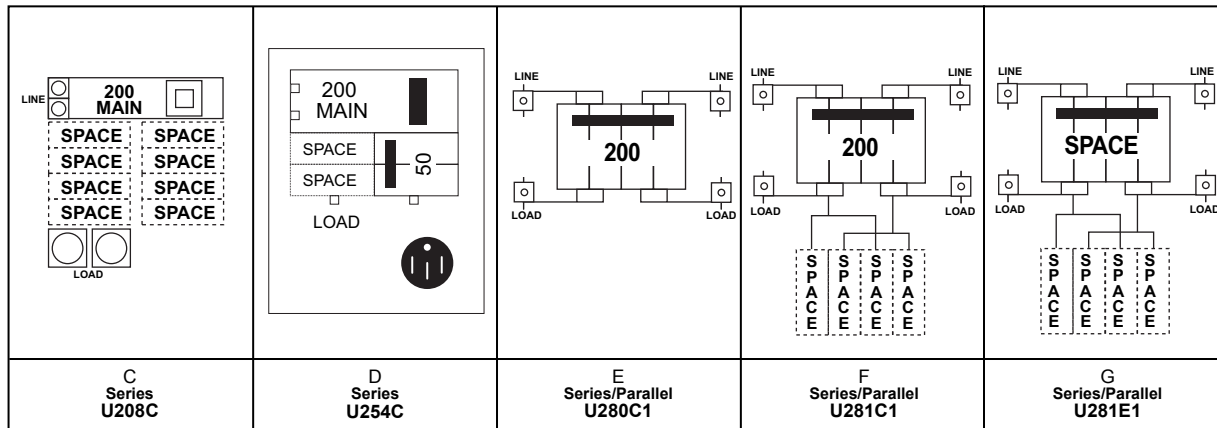


FIG.	MODEL NUMBER	INSTALLED BREAKER	SPACES	WIRE RANGE*	CABINET SIZE	LOAD CENTER		UNIT WT.	STD. PKG.	UL
						TOP	BOTTOM			
C	U208C	CB2200B	8	AN	14 X 21	LC1212PC		30	1	Y
D	U254C	CB2200B, CB250	2	AN	14 X 21	LCTL	LCBS	40	1	Y
E	U280C1 <sup>1</sup>	CB4200H	0	BF	9 X 21	LCTL	LCBNS	18.2	1	Y
F	U281C1 <sup>1</sup>	CB4200H	4	BG	9 X 21	LCTL	LCBS	18.7	1	Y
G	U281E1 <sup>1</sup>	—	5	BG	9 X 21	LCTNL	LCBS	—	1	Y

<sup>1</sup> Series or Parallel Wired

\* Wire Range Table pages 32-33

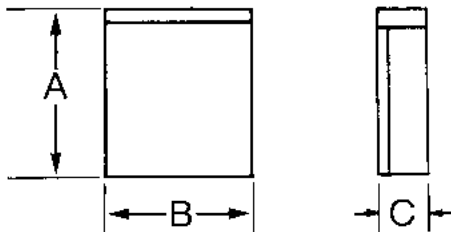
## Technical Data

Service Equipment

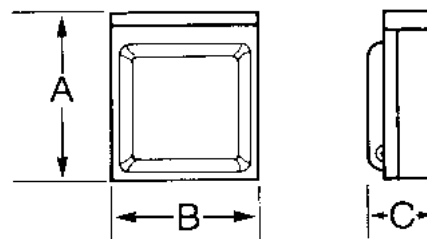
MODEL NUMBER*	HUB OPENING	REPLACEMENT PARTS		CABINET SIZE	ENCLOSURE STYLE page 28	CABINET DIMENSIONS			KNOCKOUT FIGURE page 29	AIC
		METER SOCKET	POST LUGS			HEIGHT	WIDTH	DEPTH		
						A	B	C		
R481C1P6H034	N	265A5264P8	LT200S350	6H034	See page 31					22,000
RS150C	Y	MW200R	—	17 X 26	E	26-1/4"	17-1/2"	5-1/2"	10	10,000
RS250C	Y	MW200R	—	17 X 26	E	26-1/4"	17-1/2"	5-1/2"	10	10,000
RS251C	Y	MW200R	—	17 X 26	E	26-1/4"	17-1/2"	5-1/2"	10	10,000
RS43308C	N	265A5264P10	—	31 X 33	E	33-1/10"	30-1/2"	6-1/10"	P. 32	22,000
RS45500C	N	265A5264P10	—	31 X 33	E	33-1/10"	30-1/2"	6-1/10"	P. 32	22,000
RS45508C	N	265A5264P10	—	31 X 33	E	33-1/10"	30-1/2"	6-1/10"	P. 32	22,000
U101C	Y	—	—	9 X 17	B	17-3/8"	9-3/4"	5-3/16"	3	10,000
U101CP6	N	—	LT100S250	9PT	See page 30					10,000
U102E	Y	—	—	9 X 17	B	17-3/8"	9-3/4"	5-3/16"	3	10,000
U102EP6	N	—	LT100S250	9PT	See page 30					10,000
U180C1	Y	—	—	9 X 21	A	21-3/4"	9-5/16"	4-3/4"	11	22,000
U181C1	Y	—	—	9 X 21	A	21-3/4"	9-5/16"	4-3/4"	11	22,000
U208C	Y	—	—	14 X 21	B	21-3/8"	14-3/4"	6-7/16"	5	10,000
U208CP6HP	N	—	LT200S350	14HP	See page 30					10,000
U254C	Y	—	—	14 X 21	A	21-3/8"	14-3/4"	6-7/16"	*	10,000
U280C1	Y	—	—	9 X 21	A	21-3/4"	9-5/16"	4-3/4"	11	22,000
U281C1	Y	—	—	9 X 21	A	21-3/4"	9-5/16"	4-3/4"	11	22,000
U281C1P6H	Y	—	LT200S350	6H	See page 31					22,000
U281E1	Y	—	—	9 X 21	A	21-3/4"	9-5/16"	4-3/4"	11	22,000
U281E1P6H	Y	—	LT200S350	6H	See page 31					22,000
U354C	Y	—	—	9 X 17	B	17-3/8"	9-3/4"	5-3/16"	1	10,000
UL412RMW	Y	—	—	7 X 10	A	10"	7-1/4"	4"	2	10,000

\* Not all models listed; contact local representative for other models and details.

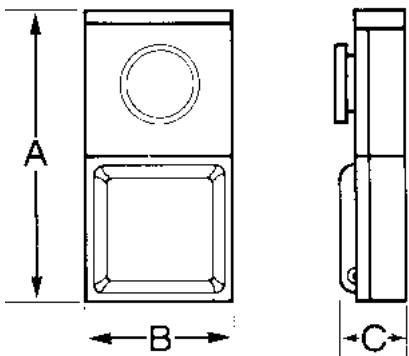
## Cabinet Dimensions



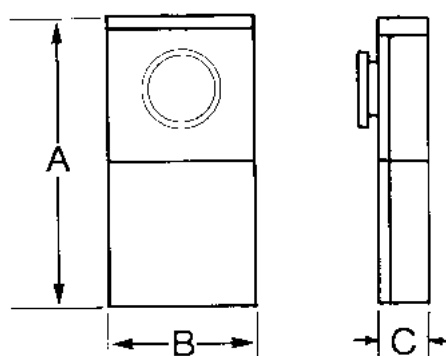
(Fig. A)



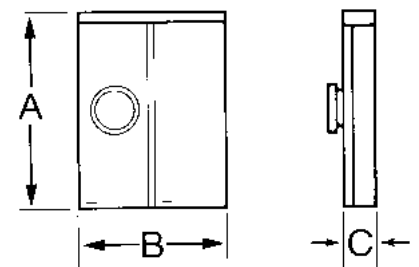
(Fig. B)



(Fig. C)



(Fig. D)



(Fig. E)