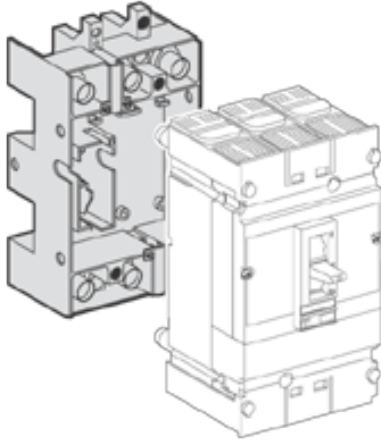


Product availability : Stock - Normally stocked in distribution facility

Price* : 108.00 USD



Main

Range compatibility	Compact Compact NS Compact Compact NR Compact Compact NSF
Accessory / separate part type	Insulation accessories
Poles description	3P
Quantity per set	Set of 2

Ordering and shipping details

Category	01103 - H,J,COMPACT NS UL/IEC CIRCUIT BREAKER ACCESSORIES
Discount Schedule	DE2
GTIN	00785901109709
Nbr. of units in pkg.	1
Package weight(Lbs)	0.22
Returnability	Y
Country of origin	FR

Contractual warranty

Warranty period	18 months
-----------------	-----------