

# Product End-of-Life Instructions

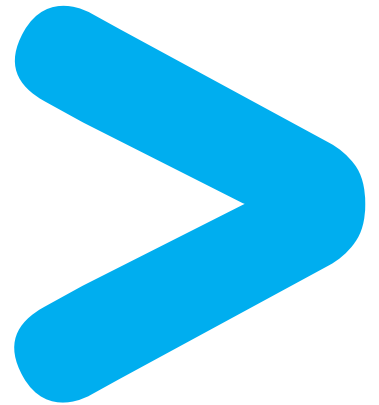
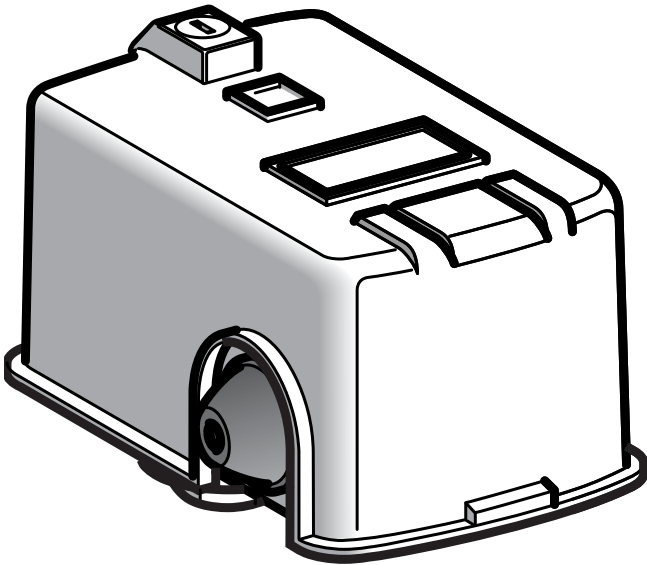
## Water Pump Pressure Switch

### Product Range

Water Pump Pressure Switch

### Marketing Model

NEMA Pressure Switch



### Size in mm:

H x L x D : 100 x 90 x 70

### Weight in g:

340 for 9013FSG2J21



Telemecanique

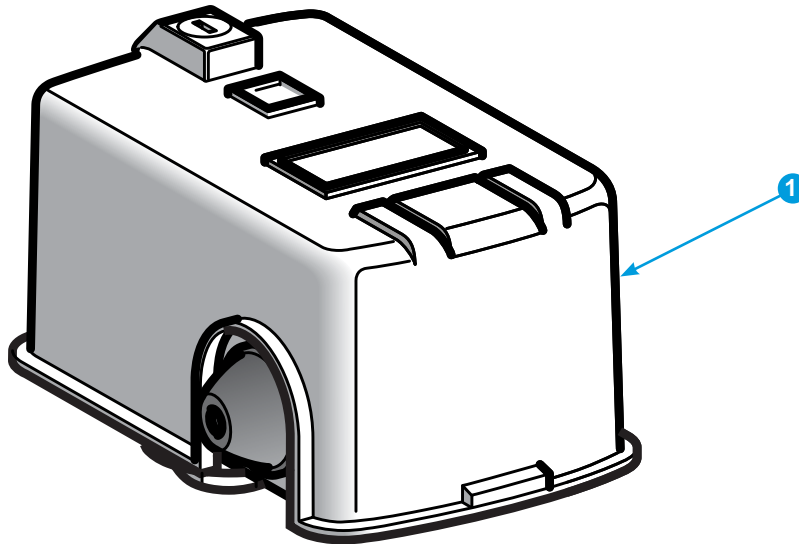
Sensors

## Operations recommended for the end of life treatment

There are several steps to process the products at the end of life so as to recover components, materials or energy:

**Reuse** ⇒ **Separation for special treatment** ⇒ **Other dismantling** ⇒ **Shredding**

The components of the products that are recommended to be separated from the flow of waste for special treatment are listed, identified and located hereunder.



Comment	Number on drawing	Components	Weight (g)	Comment
Special treatment	1	Cover	39 for 9013FSG2J21	Dismantle the cover and send it for special treatment

For more information please contact us at: [global-green-sensors@schneider-electric.com](mailto:global-green-sensors@schneider-electric.com).

### Schneider Electric Industries SAS

35, rue Joseph Monier  
CS30323  
F - 92506 Rueil Malmaison Cedex

RCS Nanterre 954 503 439  
Capital social 896 313 776 €  
[www.schneider-electric.com](http://www.schneider-electric.com)

The version of the Guide used to create the document: End of Life Instruction Drafting Guide of Schneider Electric version V3.

Publication : Schneider Electric