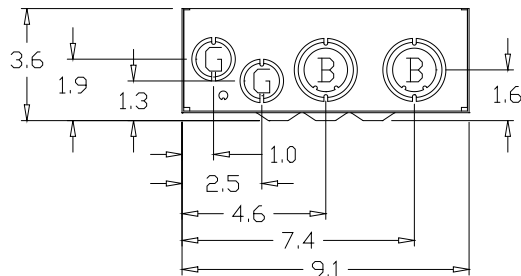
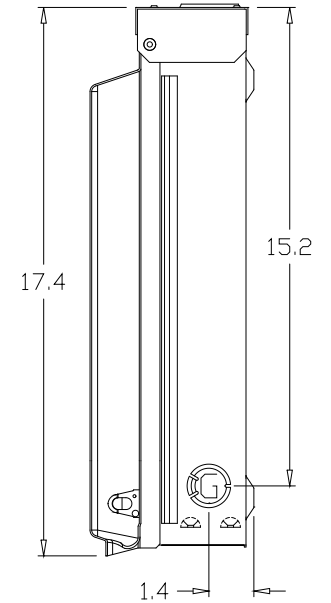
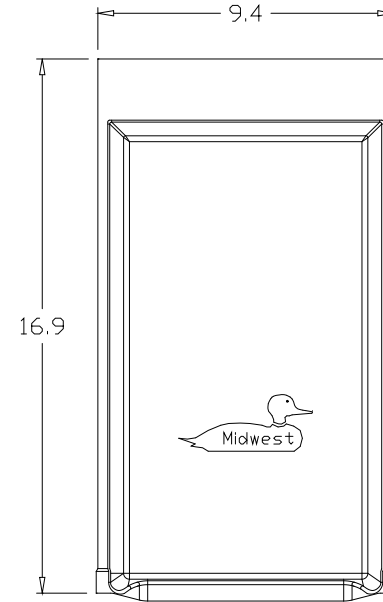
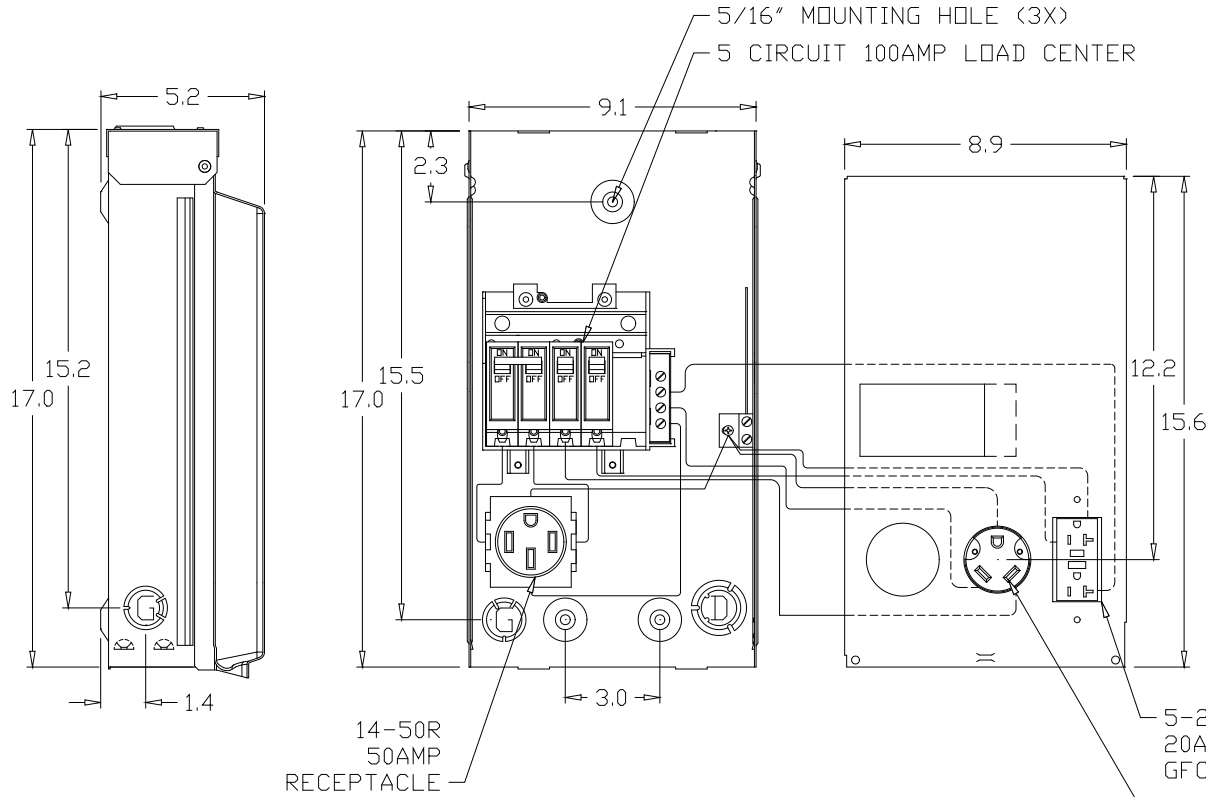


KNOCKOUT TABLE:

H= 9/32" KØ
 G= 1/2", 3/4", 1" KØ
 B= 1", 1-1/4", 1-1/2" KØ
 D= 3/4", 1", 1-1/4" KØ



NOTES:
 LUG TYPE IS LOOP FEED

WIRE RANGE TABLE:

| CONNECTOR | COPPER | | ALUMINUM | |
|--------------|--------------------|--------|----------|--------|
| | SOLID | STRAND | SOLID | STRAND |
| LINE | 14-8 | 14-1/0 | 12-8 | 12-1/0 |
| LOAD | 14-10 | 14-10 | --- | --- |
| NEUTRAL | LARGE HOLE 12-8 | 12-1/0 | 10-8 | 10-1/0 |
| NEUTRAL | SMALL HOLE 14-8 | 14-4 | 12-8 | 12-4 |
| EQUIP. GRND. | 12-8 | 12-2 | 12-8 | 12-2 |

MIDWEST ELECTRIC PRODUCTS, INC.
 Mankato, MN

Dr. By: JDE
 Ck. By:
 CR: R0746956

* = Critical To Quality
 Unless Otherwise Specified
 Tolerances On:
 3 Pl. Decimals ± .010
 2 Pl. Decimals ± .030
 Fractions ± 1/32
 Angles ± 1/2°
 Holes ± .003
 Dimensions Are In Inches

AutoCad Generated

SCALE: 1 : 1
 SIZE: A

SHEET 1 OF 1

TITLE: U075CTL010
 OUTLINE DRAWING

DWG NO: 265A6223

SH4

Rev.1 CR: R0746956 JDE 1-11-08