

Legacy Product Catalog
For Reference Only

NQOD Circuit Breaker Panelboards

Catalog
2005

Class 1630



CONTENTS

Description	Page
APPLICATION DATA	3
TYPICAL WIRING DIAGRAMS	12
DIMENSIONS	13
REPLACEMENT PARTS	22



Legacy Product Catalog
For Reference Only



225 A Main Lugs



225 A Main Circuit Breaker

APPLICATION DATA

Type

NQOD circuit breaker panelboards are for use on ac systems and are Underwriters Laboratories (UL) Listed under File E33139. NQOD circuit breaker panelboards accept QO® and QOB branch circuit breakers.

Standards

NQOD circuit breaker panelboards are designed, manufactured, and tested to comply with the following standards:

- UL 67—Standard for Panelboards
- UL 50—Enclosures for Electrical Equipment
- CSA C22.2, No. 29-M1989—Panelboards and Enclosed Panelboards
- CSA C22.2, No. 94-M91—Special Purpose Enclosures
- NEMA PB 1—Panelboards
- NFPA 70—National Electrical Code® (NEC®)
- Federal Specification W-P-115C Type I Class 1—Circuit Breaker Panelboards

Ratings

Main Lugs 100–600 A Main Circuit Breaker 100–600 A

Branch Circuit Breakers (Plug-on or Bolt-on)

10 k AIR	22 k AIR	65 k AIR	10 k AIR (240 Vac)	42 k AIR
QO, QOB	QO-VH, QOB-VH	QH, QHB	QO-H, QOB-H	QOH
1-Pole 10–70 A	1-Pole 15–30 A	1-Pole 15–30 A	2-Pole 15–100 A	2-Pole 35–125 A
2-Pole 10–125 A	2-Pole 15–150 A	2-Pole 15–30 A		
3-Pole 10–100 A	3-Pole 15–150 A	3-Pole 15–30 A		

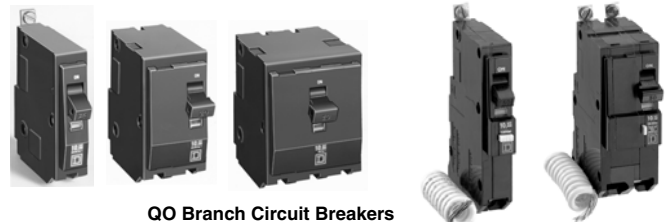
NQOD Panelboard 240 Vac Short-Circuit Current Ratings (SCCR)

SCCR	Fully Rated or Series Rated	Integral Mains (Main Circuit Breaker) Maximum Amperage	Remote Mains Maximum Amperage	Branch Circuit Breakers
10,000 A	Fully Rated	FAL (100 A), QOB (125 A), QBL (225 A)	FAL (100 A), QOB (125 A), QBL (225 A)	QO(B)
22,000 A	Fully Rated	QOB-VH (150 A)	ED (125 A), QO(B)-VH (150 A), QD (225 A)	QO(B)-VH
	Series Rated	QOB-VH (150 A)	QO(B)-VH (150 A)	QO(B)
25,000 A	Series Rated	HDL (150 A), QDL (225 A), JDL (250 A)	ED (125 A), HD (150 A), QD (225 A), JD (250 A)	QO(B)
42,000 A	Fully Rated	LAL (400 A)	LA (400 A), MA (600 A)	QHB
	Fully Rated	HGL (150 A), QGL (225 A), JGL (250 A), LHL (400 A)	EG (125 A), HG (150 A), QG (225 A), JG (250 A), LH (400 A), MH (600 A)	QHB
65,000 A	Series Rated	HGL (150 A), QGL (225 A), JGL (250 A), LCL (600 A)	EG (125 A), HG (150 A), QG (225 A), JG (250 A), LC (600 A), Class J/T6 fuses (400 A)	QO(B), QO(B)-VH
	Series Rated	QJL★ (225 A)	EJ (125 A), QJ★ (225 A)	QO(B)
200,000 A	Series Rated	FIL (100 A), KIL (250 A)	FI (100 A), KI (250 A), Class J/T6 fuses (200 A), Class T3 fuse (400 A)	QO(B)

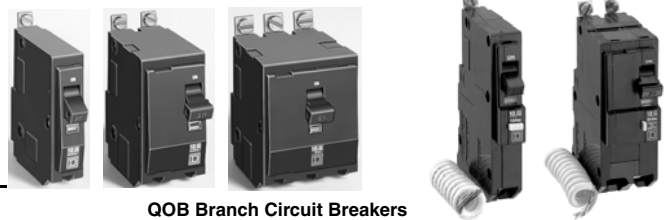
★ QJL/QJ 100 kA rating is at 208Y/120 Vac for 3-phase applications and 240 Vac for one-phase applications.

Service

Voltage	System	System Diagram
120/240 Vac	1 ϕ 3W	
208Y/120 Vac	3 ϕ 4W	
240/120 Vac	3 ϕ 4W Delta	
240 Vac	3 ϕ 3W Delta	
240 Vac	3 ϕ 3W Grd. B ϕ Delta	



QO Branch Circuit Breakers



QOB Branch Circuit Breakers

NQOD Circuit Breaker Panelboards Legacy Product Catalog

Application Data For Reference Only

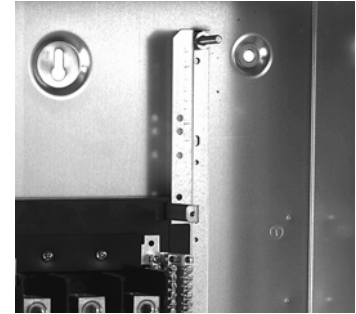
Indoor Enclosures (Types 1 and 2)

Boxes (NQB or MH):

- Galvanized steel with removable endwalls. One endwall is provided with knockouts and the other endwall is blank.
- Box sizes:
 - NQB: 14 in. (356 mm) wide x 5.75 in. (146 mm) deep, 225 A interior maximum.
 - MH: 20 in. (508 mm) wide x 5.75 in. (146 mm) deep, 600 A main lug interior max. or 400 A main circuit breaker max.
 - MH: 20 in. (508 mm) wide x 6.75 in. (171 mm) deep, 600 A main circuit breaker interior, factory-assembled only.
- Box and interior mounting instructions are found in the information manual shipped with the interior.
- Interiors mount directly to studs in the MH or NQB boxes. Interior mounting brackets are not required.
- Type 2 enclosure includes a driphood.
 - Surface-mounted trim only.



NQB Box



Interiors Mount Directly to Box Studs

Fronts:

- Finished with gray baked enamel electrodeposited over cleaned phosphatized steel (ANSI 49).
- Flush or surface mounted.
- Door has flush lock. Uses NSR-251 key.
- Directory card is located on the inside of the door.
- MONO-FLAT® fronts on 100–225 A interiors mount to the interior trim with trim screws. Both trim screws and door hinges are concealed. Fronts are not removable with the door closed and locked.
- Fronts for 400–600 A interiors are vented and mount to the enclosure with trim screws (Catalog No. LP9502). Door hinges are concealed.



MH Box



Flush Lock
(Catalog No. PK4FL)



Sliding Vault Lock
(Catalog No. PK5FL)



Concealed Hinge
Used on 100–600 A Fronts



Key NSR-251
(Catalog No. LP9618)



Front (Type 1 Enclosure)
for 400–600 A Interiors
with Trim Screws



MONO-FLAT Front
(Type 1 Enclosure)
for 100–250 A Interiors

Rainproof (Type 3R Enclosures)
Dusttight (Type 5 and 12 Enclosures)

- Finished with gray-baked enamel electrodeposited over cleaned phosphatized galvanized steel (ANSI 49).
- Gasketed door has vault handle with lock (uses NSR-251 key).
- Two additional trunk latches.
- Directory card located on inside of door.
- No knockouts.
- Removable drain screw for Type 3R enclosure rating.
- Trim kit (ordered separately) is required for end and side gutters.
- Provisions for two ground bars.



Type 3R, 5, and 12 Enclosures



Vault Handle with Lock
(Catalog No. PK4NVL)

Stainless Steel (Type 4 and 4X Enclosures)

- Watertight and dusttight.
- Gasketed door with optional locking handle.
- Directory card holders on inside of door.

Enclosure Options

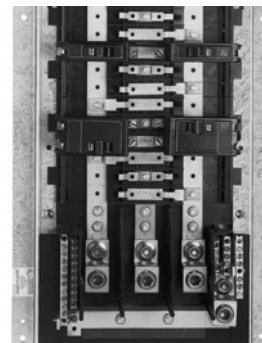
Types	Environment	Provides Protection Against
Type 1	Indoor	Contact with the enclosed equipment
Type 2	Indoor	Falling water and dust
Type 3R	Outdoor	Falling rain, sleet, undamaged by ice
Type 4X	Indoor/Outdoor	Resists corrosion, hose-directed water, dust
Type 5	Indoor	Settling dust, falling dirt, dripping liquids
Type 12	Indoor	Circulating dust, falling dirt, dripping liquids

Class CTL

UL Listed, Class CTL panelboard. Meets paragraph 408.15 of the NEC.

Phasing

Distributed phase bussing. Branch circuit breakers may be mounted in any position.



Distributed Phase Bussing

Corrosion-Resistant Fiberglass-Reinforced Polyester (Type 4X Enclosure)

- Watertight and dusttight.
- Gasketed door with optional locking handle.
- Directory card holders on inside of door.



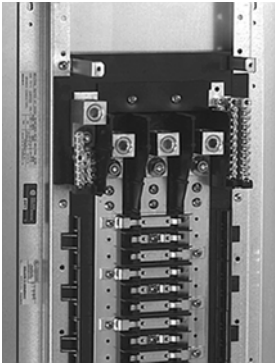
Type 4X Enclosure

NQOD Circuit Breaker Panelboards Legacy Product Catalog

Application Data For Reference Only

Line Lugs

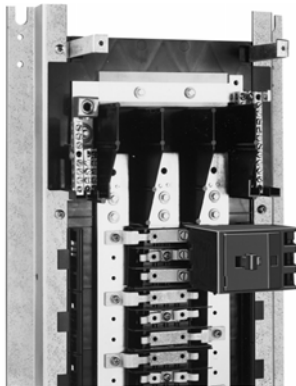
All lugs are suitable for 75 °C copper or aluminum wire.



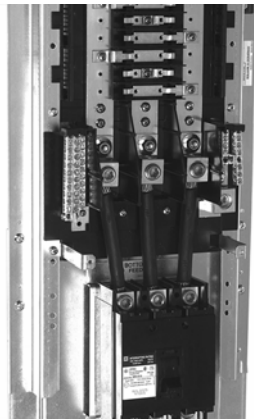
100–225 A Main Lugs



600 A Main Lugs



100 A QOB Main Circuit Breaker



225 A QBL Main Circuit Breaker



400 A LAL Main Circuit Breaker



Type VCEL VERSAtile™
Compression Equipment
Terminals

VERSA-CRIMP® Compression Lugs

- Compression lugs are available for 100–600 A main lug interiors and 100–400 A main circuit breaker interiors.
- Compression lugs are not available on QOB or QBL-type main circuit breakers.

Main Lugs Terminal Data

Standard Mechanical Lugs

Panelboard Type	Ampere Rating	Wire Range— Wire Bending Space per NEC Table 373-6	Lug Wire Range
NQOD	100	(1) #10-#1 Cu or (1) #6-#1 Al	(1) #10-2/0 Cu or (1) #6-2/0 Al
	225	(1) #6-300 kcmil Al/Cu	(1) #6-300 kcmil Al/Cu
	400	(2) 1/0-300 kcmil Al/Cu or (1) 1/0-750 kcmil Al/Cu	(2) 1/0-300 kcmil Al/Cu or (1) 1/0-750 kcmil Al/Cu
	600	(2) 1/0-500 kcmil Al/Cu or (4) 1/0-300 kcmil Al/Cu	(2) 1/0-750 kcmil Al/Cu or (4) 1/0-300 kcmil Al/Cu

VCEL Compression Lugs

Panelboard Type	Ampere Rating	Lugs per Phase	Catalog No.	Lug Wire Range
NQOD	100	1	VCEL021-14S1	#8-1/0 Al/Cu
	225	1	VCEL030-516H	#4-300 kcmil Al/Cu
	400–600	2 ▲	VCEL050-12H1	2/0-500 kcmil Al/Cu
			or 1	VCEL060-12H1
		or 1	VCEL075-12H1	500-750 kcmil Al or 500 kcmil Cu

▲ When two wires are terminated per phase, anti-turn kit NQOD6VC must be used.

Main Circuit Breaker Terminal Data

Standard Mechanical Lugs

Panelboard Type	Ampere Rating	Circuit Breaker Type	Wire Range— Wire Bending Space per NEC Table 373-6	Lug Wire Range
NQOD	100	QOB	(1) #4-#1 Al/Cu	(1) #4-2/0 Al/Cu
		FA, FH, FI ▲	(1) #14-#1 Al/Cu	(1) #14-1/0 Al/Cu
	150	HD, HG, HJ, HL	(1) #14-3/0 Al/Cu	(1) #14-3/0 Al/Cu
	225	QB, QD, QG, QJ	(1) #4-300 kcmil Al/Cu	(1) #4-300 kcmil Al/Cu
		KI	(1) #4-300 kcmil Al/Cu	(1) #6-350 kcmil Al/Cu
	250	JD, JG, JJ, JL	(1) #4-300 kcmil Al/Cu	(1) #3/0-350 kcmil Al/Cu
		400	Q4, LA, LH	(1) #4-500 kcmil Al/Cu or (2) #1-250 kcmil Al/Cu

▲ Circuit breaker Types FA, FH, FI are factory assembled only.

VCEL Compression Lugs

Panelboard Type	Ampere Rating	Circuit Breaker Type	Lugs per Phase	Catalog No.	Lug Wire Range	
NQOD	100	FA, FH, FC, FI	1	VC100FA	#8-1/0 Al/Cu	
		HD, HG, HJ, HL	1	YA060HD	#6-#2 Al/Cu	
	150	HD, HG, HJ, HL	1	YA150HD	#1-4/0 Al/Cu	
		JD, JG, JJ, JL	1	YA150JD	#1-3/0 Al/Cu	
		JD, JG, JJ, JL	1	YA250J35	#3/0-350 kcmil Al/Cu	
		KA, KH, KC, KI	1	VC250KA3	#4-300 kcmil Al/Cu	
	225	KA, KH, KC, KI	1	VC250KA35	250-350 kcmil Al/Cu	
		LA, LH, Q4	2	VC400LA35	250-350 kcmil Al/Cu	
		LA, LH, Q4	2	VC400LA3	#4-300 kcmil Al/Cu	
		LA, LH, Q4	1	VC400LA5	2/0-500 kcmil Al/Cu	
		400	LA, LH, Q4	1	VC400LA7	500-750 kcmil Al or 500 kcmil Cu

Main Lugs Interiors

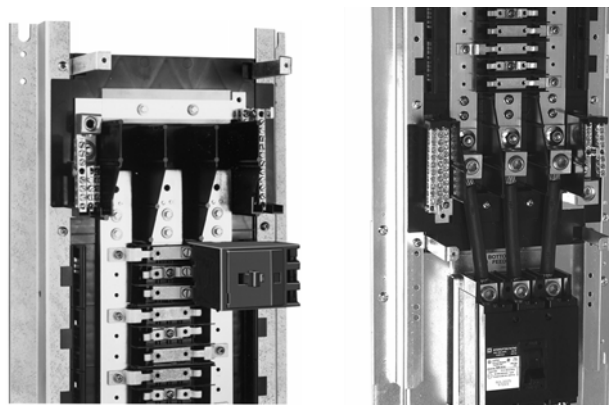
- Will accept plug-on or bolt-on branch circuit breakers.
- Suitable for use as service entrance (USA only); meets local electrical codes.
- Top or bottom feed.
- 65k AIR maximum branch circuit breakers (fully rated).
- 200k AIR maximum when supplied by remote I-LIMITER® circuit breaker (series rated).
- 100 A and 225 A are suitable for use as service entrance with back-fed QOB circuit breaker (USA only).
- Field-installable sub-feed lug kits for 100–225 A interiors.
- Factory installed main lugs on all interiors.
- 225–400 A main lug interiors are convertible to main circuit breaker by adding a main circuit breaker and adapter kit.
- Available with silver-plated copper or tin-plated aluminum bus (aluminum is standard). Tin-plated copper bus is available as an option. Branch connector fingers are all tin-plated copper; silver-plated branch connector fingers are optional.

Main Circuit Breaker Interiors

- Will accept plug-on or bolt-on branch circuit breakers.
- Suitable for use as service entrance; meets local electrical codes.
- Top or bottom feed.
- 65k AIR maximum branch circuit breakers (fully rated).
- 200k AIR maximum when supplied by I-LIMITER circuit breaker (series rated).
- Available with silver-plated copper or tin-plated aluminum bus (aluminum is standard). Tin-plated copper bus is available as an option. Branch connector fingers are all tin-plated copper; silver-plated branch connector fingers are optional.
- 100 A main circuit breaker interiors consist of factory installed back-fed QOB main circuit breaker.
- 225 A main circuit breaker interiors use:
 - Standard main lug interiors.
 - Main circuit breaker adaptor kit.
 - Appropriate QBL, QDL, QGL, QJL, JDL, JGL, JLL, or KIL circuit breaker.
 - 250 A main circuit breaker interiors are factory assembled only.

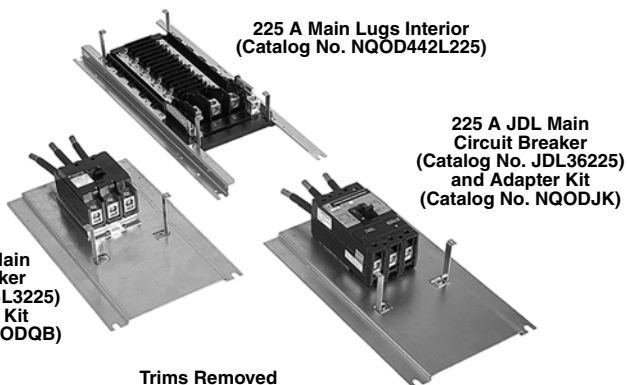


225 A Maximum Main Lugs



100 A QOB Main Circuit Breaker

225 A QBL Main Circuit Breaker



225 A Main Lugs Interior
(Catalog No. NQOD442L225)

225 A JDL Main
Circuit Breaker
(Catalog No. JDL36225)
and Adapter Kit
(Catalog No. NQODJK)

225 A QBL Main
Circuit Breaker
(Catalog No. QBL3225)
and Adapter Kit
(Catalog No. NQODQB)

Trims Removed

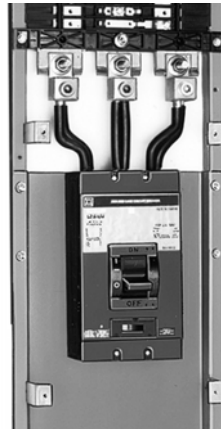
Trims Installed

NQOD Circuit Breaker Panelboards Legacy Product Catalog

Application Data For Reference Only

Main Circuit Breaker Interiors (continued)

- 400 A main circuit breaker interiors use:
 - Standard main lug interior.
 - Main circuit breaker adapter kit (Catalog No. NQOD4).
 - Appropriate LAL or LHL circuit breaker.

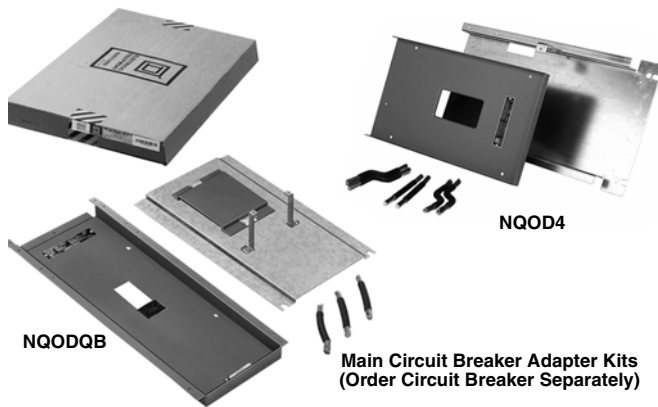


400 A Main Circuit Breaker Interior

Main Circuit Breaker Adapter Kits

Adapter Kit Catalog No.	Ampere Rating	Main Circuit Breaker
NQODQB	100–225 A	QBL, QDL, QGL, QJL
NQODJK	150–225 A	JDL, JGL, JLL, JLL, KIL
NQOD4	125–400 A	LAL, LHL

Note: Main circuit breakers are not included in the adapter kits. They should be ordered separately.



Main Circuit Breaker Adapter Kits (Order Circuit Breaker Separately)

Main Circuit Breakers

- 100 A max. factory-installed QOB, FAL, FHL, or FIL
- 150 A max. factory-installed HDL, HGL, HJL, or HLL
- 225 A max. field-installable QBL, QDL, QGL, QJL, JDL, JGL, JLL, or KIL
- 250 A max. factory-installed JDL, JGL, JLL, or KIL
- 400 A max. field-installable LAL or LHL



Field-Installable Main Circuit Breakers

Branch Circuit Breaker Interrupting Capacity

Circuit Breaker Catalog Prefix	Max. Vac Rating	No. of Poles	Ampere Rating	UL Listed Interrupting Rating—RMS Symmetrical Amperes		
				Vac		
				120	120/240	240
QO, QOB	120/240	1	10-70	—	10k	—
	120/240	2	10-125	—	10k	—
	240	3	10-100	—	—	10k
QO-H, QOB-H	240	2	15–125	—	—	10k
QO-VH	120/240	1	15–30	—	22k	—
	120/240	2	15–125	—	22k	—
	240	3	15–100	—	—	22k
QOB-VH	120/240	1	15–30	—	22k	—
	120/240	2	15–150	—	22k	—
	240	3	15–150	—	—	22k
QOH-QOHB	120/240	2	35–125	—	42k	—
QH-QHB	120/240	1	15–30	—	65k	—
	120/240	2	15–30	—	65k	—
	240	3	15–30	—	—	65k

Branch Terminal Lug Data

Ampere Rating	Circuit Breaker Type	Wire Size	
		Aluminum	Copper
10–30	QO, QOB	(2) #12-#8	(2) #14-#8
35–50	QO, QOB	(1) #8-#4	(1) #8-#4
60–70	QO, QOB	(1) #6-#2	(2) #6-#2
80–125	QO, QOB	(1) #4-2/0	(1) #4-2/0
150	QOB-VH	(1) #4-300 kcmil	(1) #4-300 kcmil

Notes:

- Lugs suitable for 75 °C wire.
- Torque QOB connector mounting screws to 18–21 lb-in.
- Torque labels are included on the circuit breakers with load side lug torque requirements.

Additional Main Circuit Breaker Information

Ampere Rating	Circuit Breaker Type	Circuit Breaker Catalog Section Class
100	QOB	730
	FAL, FCL, FHL	650
	FIL	820
150	HDL, HGL, HJL, HLL	611
	QBL, QDL, QGL, QJL	734
225	JDL, JGL, JLL, JLL	611
	KIL	825
400	LAL, LHL	660

Additional Branch Circuit Breaker Information

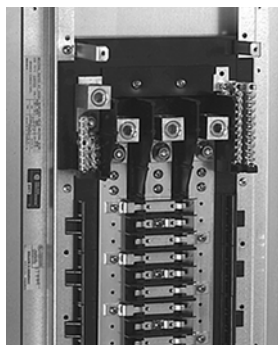
Circuit Breaker Type	Circuit Breaker Catalog Class
QO, QOB	730
QO-GFI, QOB-GFI	910

Field-Installable Circuit Breaker Accessories

Field-installable shunt trip, alarm switch, and auxiliary contacts are available for LAL 400 A main circuit breaker interiors. Refer to the Square D Digest for additional information.

Neutral Assembly

- All lugs suitable for copper or aluminum wire. 100–225 A interiors have split neutral located on same end as mains.
- 400–600 A interior have the neutral located on the end opposite mains.
- Bondable for use as service entrance (in Canada, available as factory-assembled only).
- Branch terminals suitable for #12-#4 aluminum and #14-#4 copper.
- Provisions for larger branch terminal lugs with use of auxiliary neutral lugs.
- Suitable lug provided on neutrals for termination of grounding conductor.
- All unused neutral terminals may be used to terminate equipment grounding conductors when panelboard is used as service entrance.
- 100% rated neutrals. One neutral termination provided per circuit in panelboard.
- 200% rated neutrals optional.



100–225 A

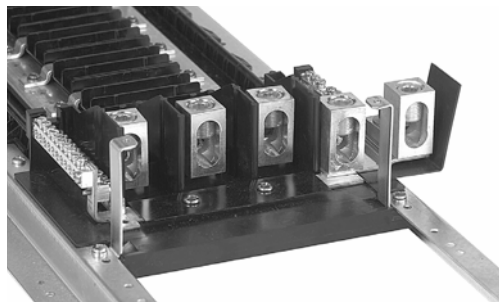


400 A 600 A
Typical Neutral Assemblies

200% Neutral Restrictions

225 A, 200% Neutral:

- 225 A main circuit breakers are available using J-frame only.
- Integral lighting contactors are not available.
- Crimp neutral line lugs are not available.
- Panelboards are only available factory assembled when equipped with sub-feed lugs, feed-thru lugs, or sub-feed circuit breakers and 200% neutrals.



225 A Interior with Sub-Feed Lugs

400 A, 200% Neutral:

- Type 3R, 5, and 12 enclosures require copper-bussed interiors.
- Sub-feed branch circuit breakers are available with main lug interiors in Type 1 enclosures only. Sub-feed branch circuit breakers are not available in Type 3R, 5, and 12 enclosures. Using a sub-feed branch circuit breaker restricts standard QO and QOB branches to a maximum of 125 A.
- Integral lighting contactors are not available.
- Crimp neutral line lugs are not available.
- Panelboards are only available factory assembled when equipped with sub-feed lugs, feed-thru lugs, or sub-feed circuit breakers and 200% neutrals.



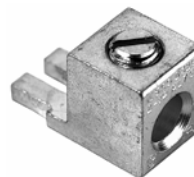
400 A Interior with Feed-Thru Lugs

200% Rated Feed-Thru Neutral Lug Data

Ampere Rating	Lug Type (Quantity)	Lug Wire Range	Wire Range Wire Bending Space per NEC Table 373-6
225	Line Lug (2)	(2) #4-300 kcmil Al/Cu	(2) 300 kcmil Al/Cu
	Sub-Feed Circuit Breaker Lug	(1) #4-300 kcmil Al/Cu	300 kcmil Al/Cu
	Branch Lugs	(42) #14-#4 Al/Cu	#4 Al/Cu
400	Line Lug (4)	(1) 750 kcmil Al/Cu or (2) #6-300 kcmil Al/Cu	(2) 250 kcmil Al/Cu
	Sub-Feed Circuit Breaker Lug (4)	(1) #6-300 kcmil Al/Cu	350 kcmil Al/Cu
	Branch Lugs	(4) 2/0 Al/Cu	(4) 2/0 Al/Cu
		(22) #14-#4 Al/Cu	#2 Al/Cu
		(17) #14-#6 Al/Cu	#6 Al/Cu

Auxiliary Neutral Lugs

Lugs are UL Listed for copper or aluminum wire and are field-installable on neutral assembly.



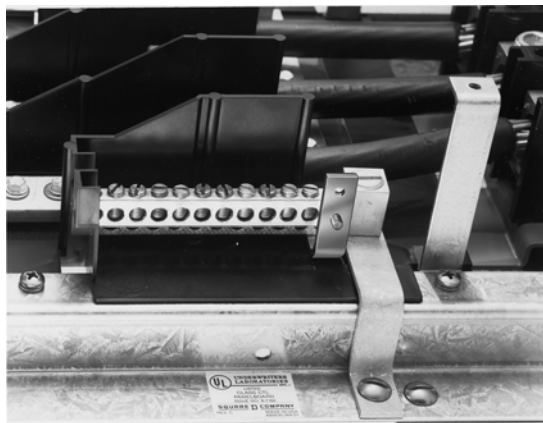
#10-#4 AWG
(Catalog No. QO70AN)



#1-4/0 AWG
(Catalog No. Q1150AN)

Neutral Bonding Provisions

Bonding strap may be field-installed for UL service equipment requirements on 100–400 A interiors (in Canada, available as factory-assembled only).



100–225 A Neutral Bonding Provision



400 A Neutral Bonding Provision

Ground Bar Kits

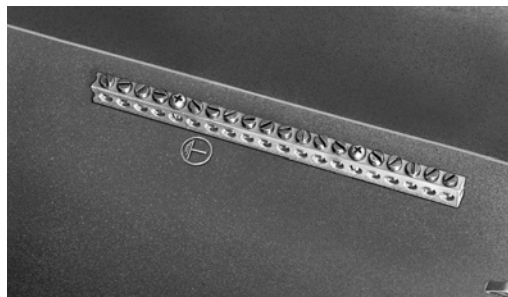
- Field-installable in all panelboards.
- Suitable for copper or aluminum wire.

Ground Bar Kit Catalog Numbers

No. of Circuits	Ampere Rating	Catalog No.
12	225	PK9GTA
20	225	PK12GTA
24	225	PK15GTA
30	225	PK18GTA
54	225	PK23GTA
54	600	PK27GTA



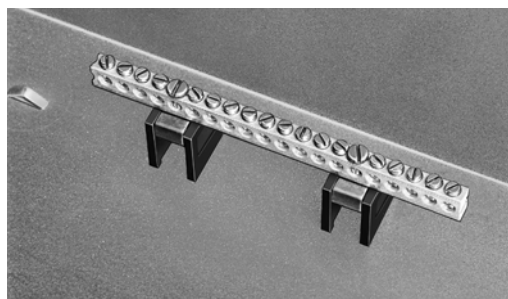
Equipment Ground Bar



Box with Equipment Ground Bar

Ground Bar Insulator Kit (Catalog No. PKGTAB)

- The insulator kit is for use with standard panelboard ground bar kits to isolate the ground bar from the panelboard.
- The insulator kit is field installable. Also may be used with equipment ground since panelboard enclosures have ground bar mounting provisions in all four corners.



Ground Bar with Insulator Kit

Ground Bar Kit Technical Information

All PK equipment grounding kits are supplied with mounting screws, necessary installation instructions, and an “Equipment Grounding Terminal” self-adhesive label.

Catalog Number	Total Qty	Terminals		Approximate Overall Length in (mm)	Distance Between Mounting Holes in (mm)
		Qty Each Size (see wire range below)			
		I	II		
PK9GTA	9	9	—	3.125 (79)	3.125 (79)
PK12GTA	12	12	—	4.5 (114)	3.125 (79)
PK15GTA	15	15	—	5.3125 (135)	3.125 (79)
PK15GTA-L	16	15	1	7.25 (184)	3.125 (79)
PK18GTA	18	18	—	6.375 (162)	3.125 (79)
PK18GTA-L	19	18	1	8.5 (216)	3.125 (79)
PK23GTA	23	23	—	7.875 (200)	3.125 (79)
PK23GTA-L	24	23	1	9.125 (232)	3.125 (79)
PK27GTA	27	27	—	9.125 (232)	3.125 (79)

Wire Range

Size	Cu	Al
I	(1) #14 to #4 or (2) #14 or #12	(1) #12 to #4 or (2) #12 or #10
II	(1) #1 to 4/0	(1) #1 to 4/0

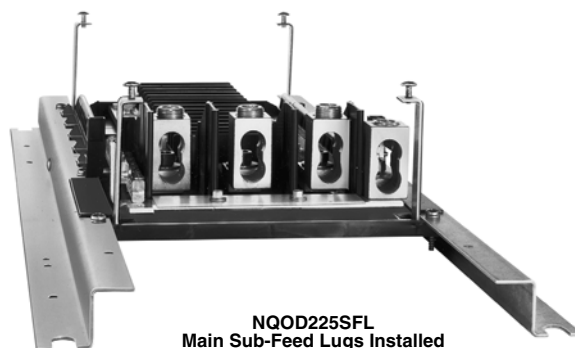
**UL Recognized Component Branch Sub-Feed Lug Kits,
240 Vac**

2-Pole Sub-Feed Lugs

Rating Amperes	Spaces	Type of Connection	Catalog No.	Main Wire Size
125	2	Plug-On	QO2125SL	#4-2/0 Al or Cu
	2	Bolt-On	QOB2125SL	

3-Pole Sub-Feed Lugs

Rating Amperes	Spaces	Type of Connection	Catalog No.	Main Wire Size
125	3	Plug-On	QO3125SL	#4-2/0 Al or Cu
	3	Bolt-On	QOB3125SL	



**NQOD225SFL
Main Sub-Feed Lugs Installed**

Field-Installable Sub-Feed Main Lugs

Field-installable sub-feed main lugs 100 A (NQOD100SFL) or 225 A (NQOD225SFL) are available for use on 1 ϕ or 3 ϕ main lug 100–225 A. Refer to the Digest for the correct box size.

Factory-Installed Options

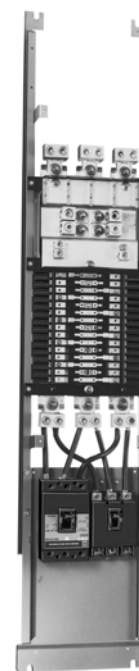
- Sub-Feed Lugs (on the main) are available on 1 ϕ or 3 ϕ , 100–400 A main lug interiors only.
- Box size changes are as follows:
 - 100–225 A interiors with 30 circuits maximum—no change required.
 - 225 A interiors with 42 circuits: 38 in. (965 mm) high by 20 in. (508 mm) wide or 14 in. (356 mm) wide.
 - 225 A interiors with 54 circuits: 44 in. (1118 mm) high by 20 in. (508 mm) wide or 14 in. (356 mm) wide.
 - 225 A interiors with 72 circuits: 50 in. (1270 mm) high by 20 in. (508 mm) wide (Canada only).
 - 225 A interiors with 84 circuits: 53 in. (1346 mm) high by 20 in. (508 mm) wide (Canada only).
 - 400 A interiors: add 3 in. (76 mm) to standard box height.
- Feed-Thru Lugs are available on 1 ϕ or 3 ϕ 225–600 A main lug, or 225–600 A main circuit breaker interiors.
- Sub-Feed Circuit Breakers
 - Available on 1 ϕ or 3 ϕ main lugs 225–600 A, or main circuit breaker interiors 225–600 A.
 - One sub-feed circuit breaker for each 225 A panelboard.
 - Two sub-feed circuit breakers for each 400–600 A panelboard.
 - Sub-feed circuit breakers may be type HDL, HGL, HJL, HLL, QBL, QDL, QGL, QJL, JDL, JGL, JLL, OR JLL circuit breakers.



**3 ϕ , 30 Circuit, 400 A
Main Lugs Interior
with Sub-Feed Lugs**



**3 ϕ , 30 Circuit, 400 A
Main Lugs Interior
with Feed-Thru Lugs**

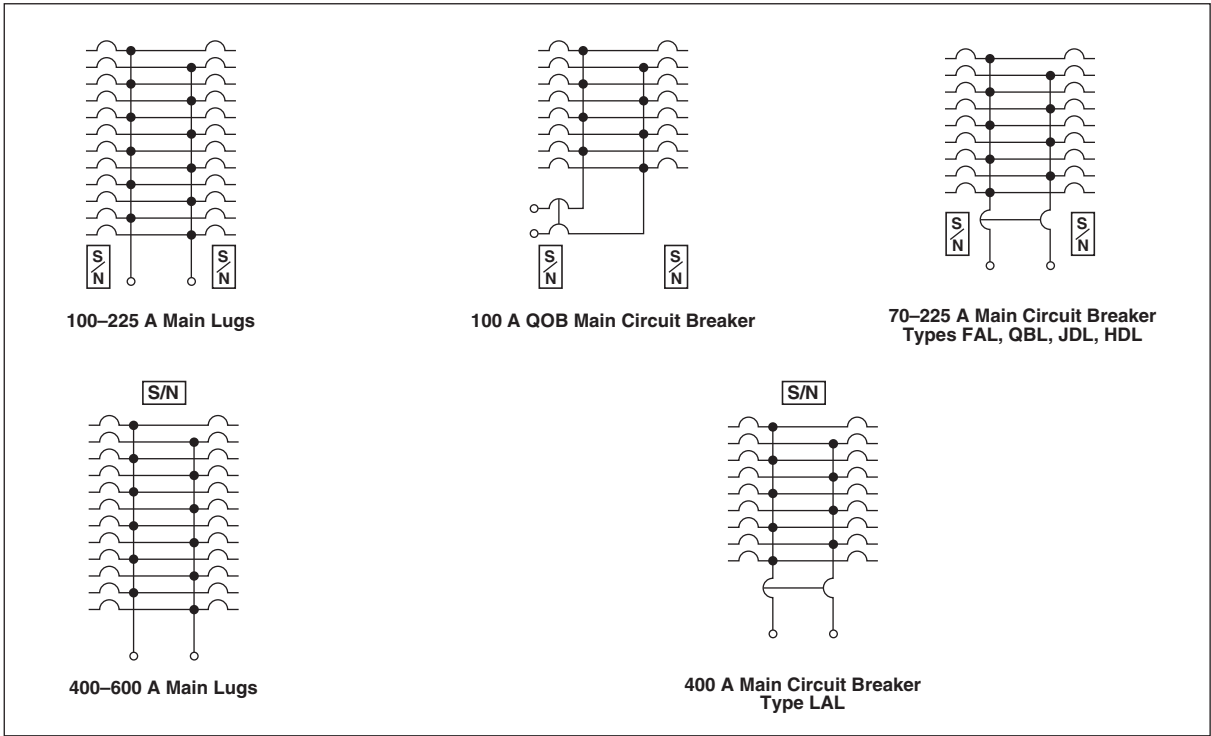


**3 ϕ , 30 Circuit, 600 A
Main Lugs Interior
with QBL and JDL
Sub-Feed Circuit
Breakers**

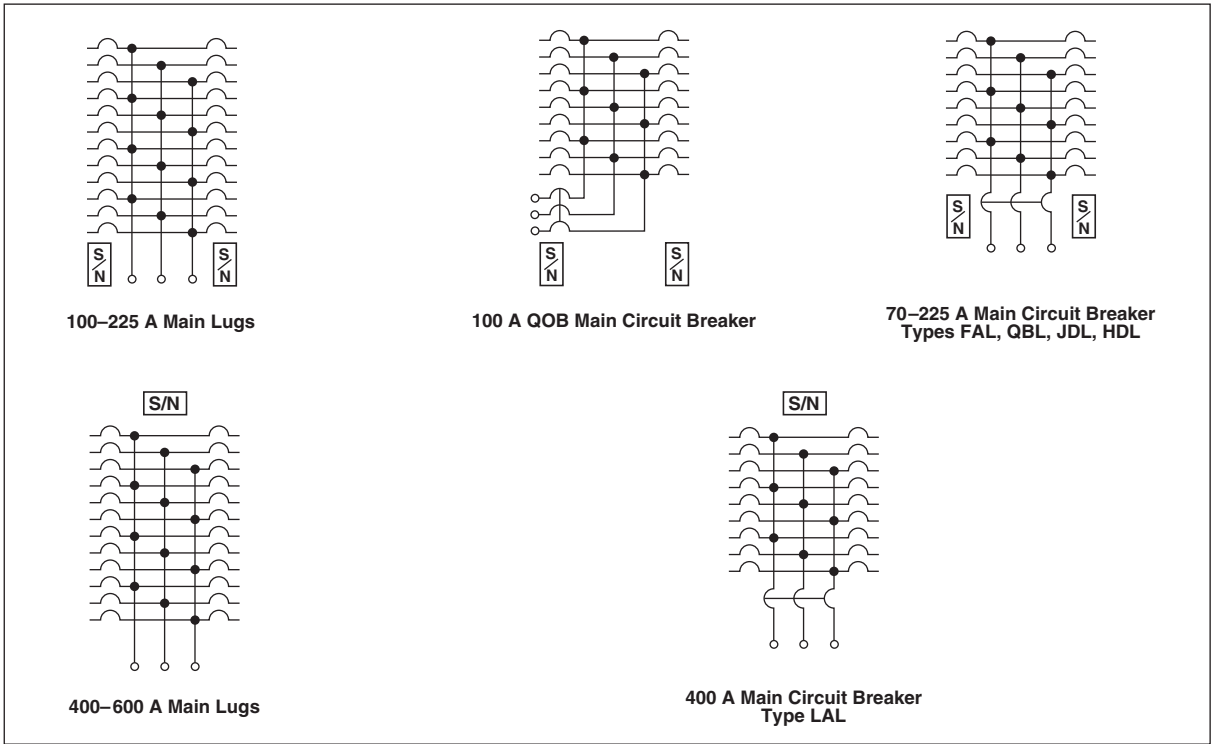
Other Accessories Available

- Split bus
- Lighting contactors
- Compression lugs
- Copper bus
- Phenolic nameplates

NQOD Circuit Breaker Panelboards Legacy Product Catalog
 Typical Wiring Diagrams For Reference Only

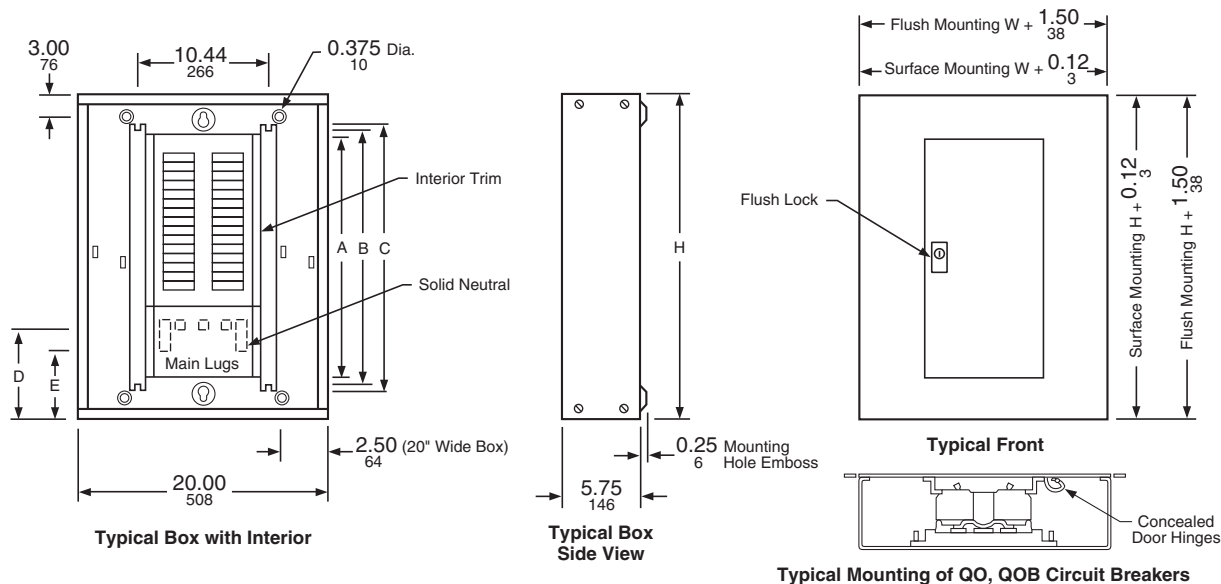


1-Phase, 3-Wire



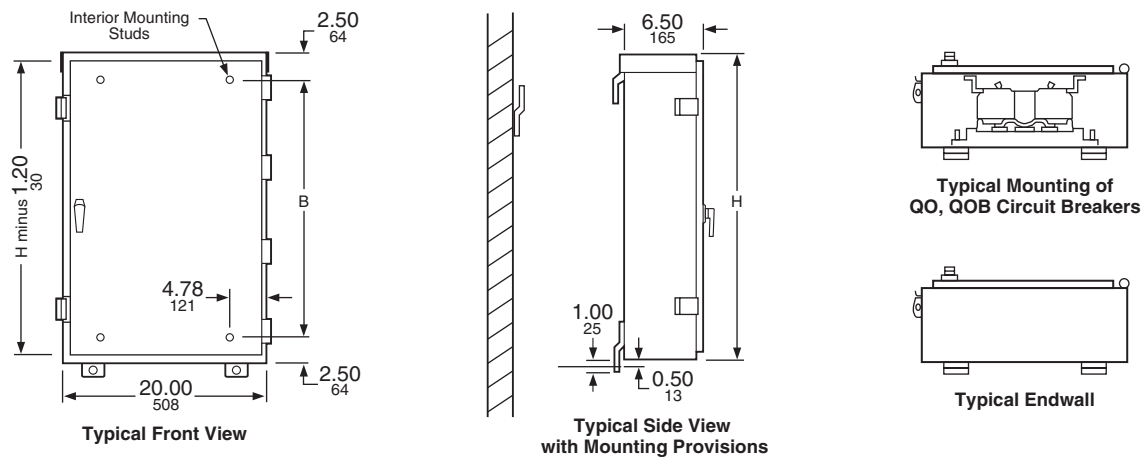
3-Phase, 4-Wire

NQOD Circuit Breaker Panelboards Dimensions



Indoor—Type 1 Enclosure

Outdoor—Type 3R Enclosure



NOTE: Refer to page 21 for keyhole and endwall detail.

dimensions: INCHES
mm

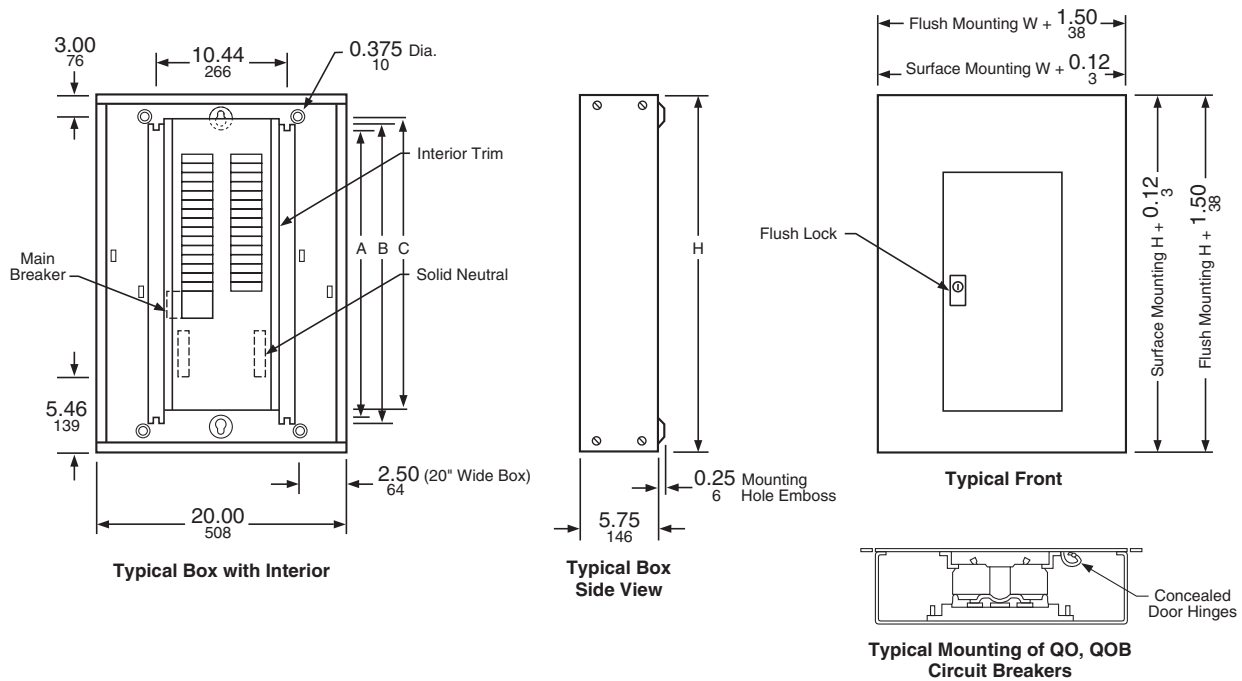
Maximum Main Lug Ampere Rating	Maximum Number of Circuits	H Box Height		A Length of Deadfront		B Stud Dimension		C Rail Length		D MLO Wire Bending		E S/N Wire Bending	
		IN	mm	IN	mm	IN	mm	IN	mm	IN	mm	IN	mm
100	12	20.00	508	14.90	378	15.00	381	15.88	403	6.89	175	5.46	139
	20 ▲	23.00	584	17.90	455	18.00	457	18.88	480	6.89	175	5.46	139
	24 ■	23.00	584	17.90	455	18.00	457	18.88	480	6.89	175	5.46	139
	30 ■	26.00	660	20.90	531	21.00	533	21.88	556	6.89	175	5.46	139
225	30	32.00	813	26.90	683	27.00	686	27.88	708	11.43	290	10.00	254
	42	35.00	889	29.90	759	30.00	762	30.88	784	8.43	214	7.00	178
	54	41.00	1041	35.90	912	36.00	914	36.88	937	8.43	214	7.00	178
	72 ★	47.00	1194	41.90	1064	42.00	1067	42.88	1089	8.43	214	7.00	178
	84 ★	50.00	1270	44.90	1140	45.00	1143	45.88	1165	8.43	214	7.00	178

▲ 1Ø3W only.
 ■ 3Ø4W only.
 ★ Canada only.

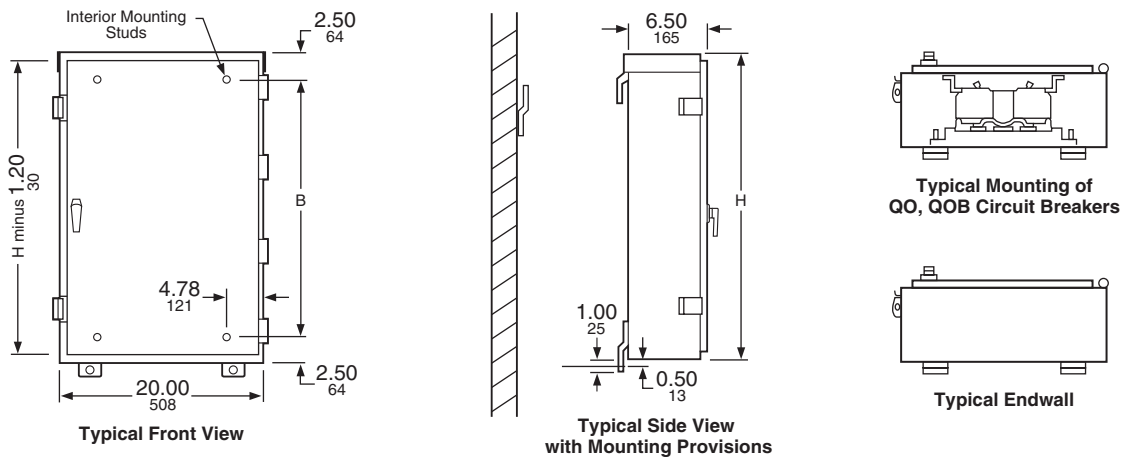
NQOD Circuit Breaker Panelboards Legacy Product Catalog

For Reference Only

Dimensions



Indoor—Type 1 Enclosure
 Outdoor—Type 3R Enclosure



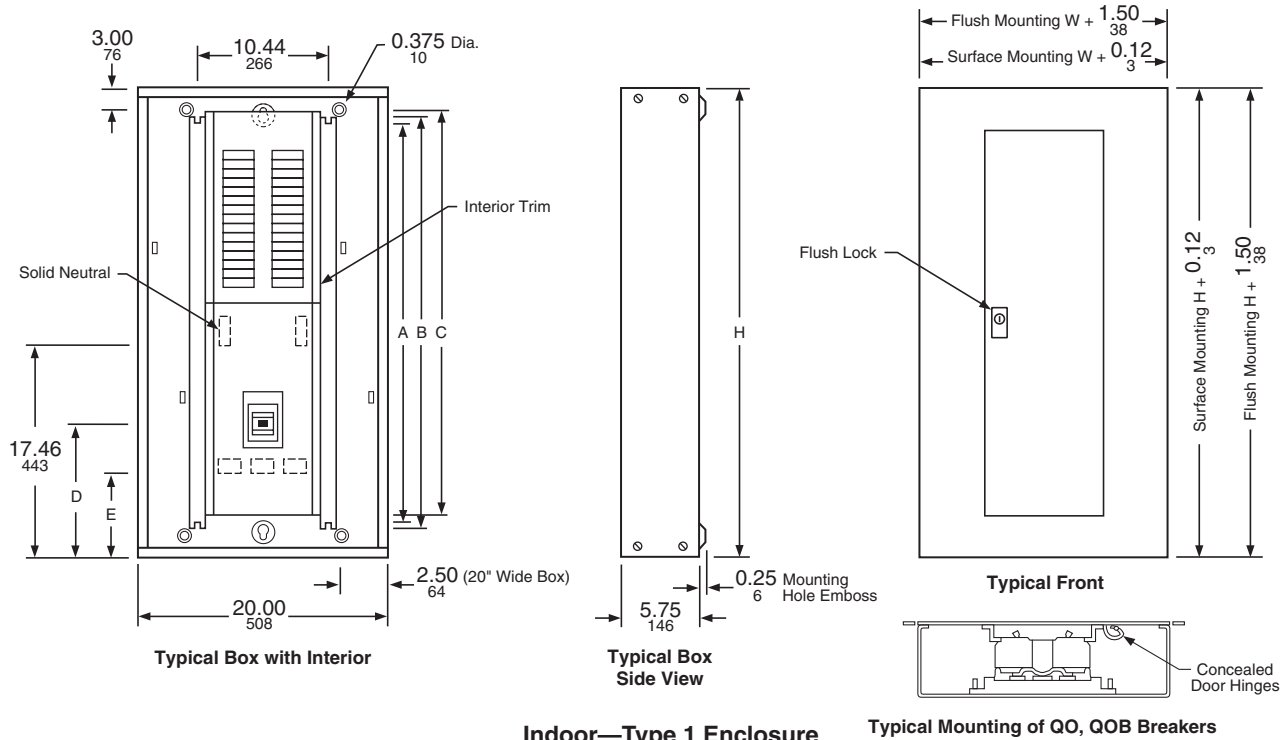
NOTE: Refer to page 21 for keyhole and endwall detail.

dimensions: INCHES
mm

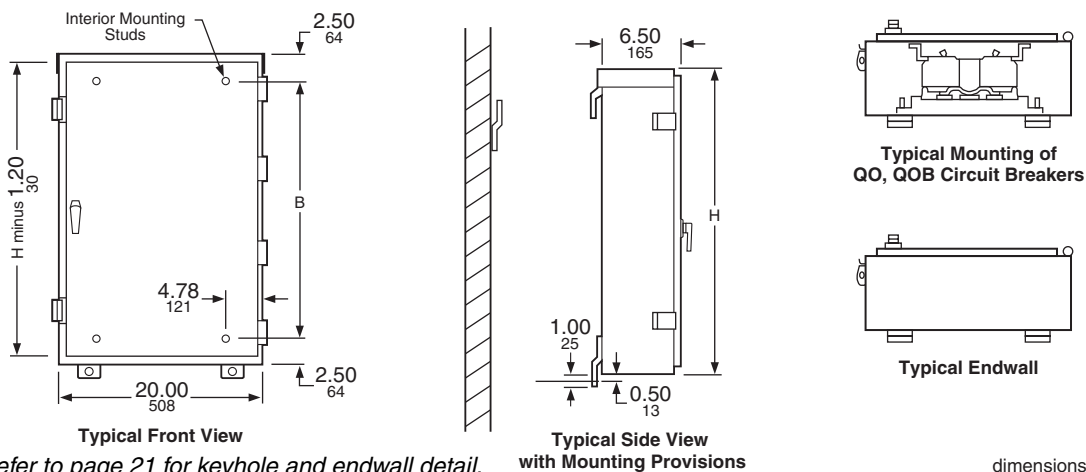
Maximum Main Circuit Breaker Ampere Rating	Maximum Number of Circuits	H Box Height		A Stud Dimension		B Rail Length		C Length of Deadfront	
		IN	mm	IN	mm	IN	mm	IN	mm
100	12	23.00	584	18.00	457	18.88	480	17.90	455
	20 ▲	26.00	660	21.00	533	21.88	556	20.90	531
	24 ■	26.00	660	21.00	533	21.88	556	20.90	531
	30 ■	29.00	737	24.00	610	24.88	632	23.90	607

▲ 1Ø3W only.
 ■ 3Ø4W only.

NQOD Circuit Breaker Panelboards Dimensions



Indoor—Type 1 Enclosure
Outdoor—Type 3R Enclosure



NOTE: Refer to page 21 for keyhole and endwall detail.

dimensions: INCHES
mm

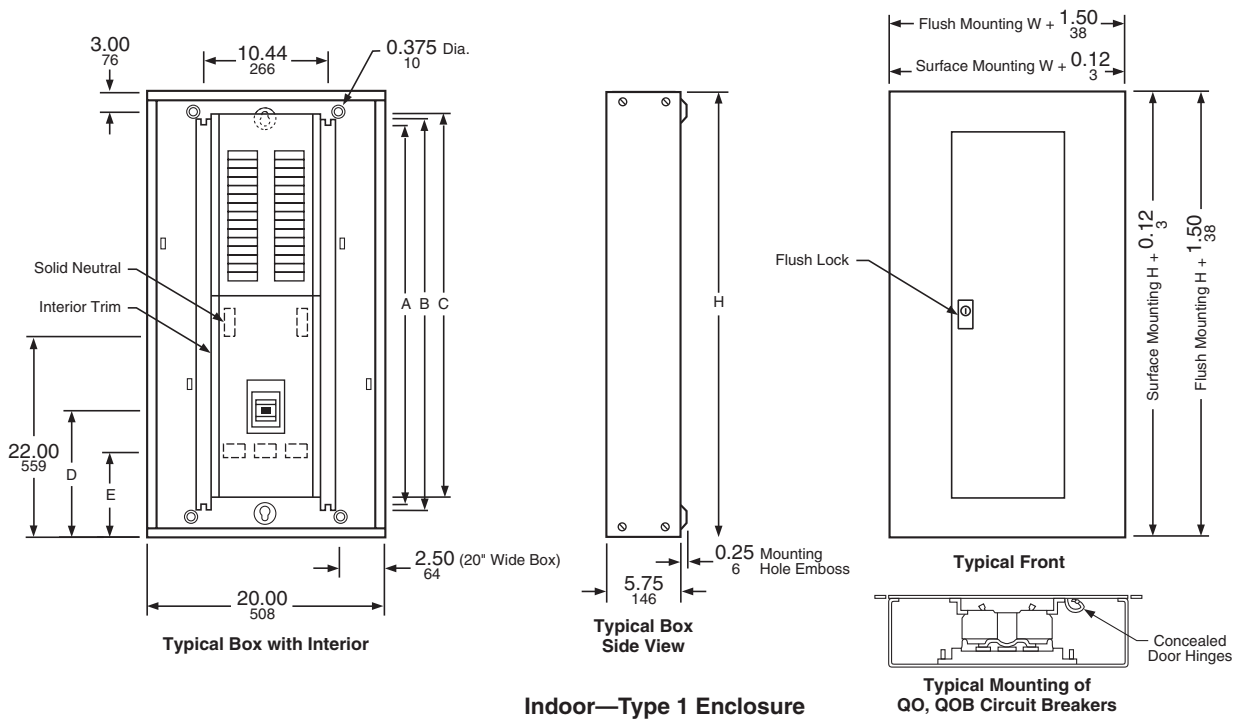
Maximum Main Circuit Breaker Ampere Rating	Maximum Number of Circuits	H Box Height		A Stud Dimension		B Rail Length		C Length of Deadfront		D (from Center Line of CB) Top Feed		E (from Line Lugs of CB) Bottom Feed		Top Feed		Bottom Feed	
		IN	mm	IN	mm	IN	mm	IN	mm	IN	mm	IN	mm	IN	mm	IN	mm
		100 FAL ★, FHL ★	12	32.00	813	27.00	686	27.88	708	26.90	683	11.82	300	10.06	256	8.08	205
20 ▲	35.00	889	30.00	762	30.88	784	29.90	759									
24 ■	35.00	889	30.00	762	30.88	784	29.90	759									
100 FIL ★	30 ■	38.00	965	33.00	838	33.88	860	32.90	836	10.08	256	10.08	256	7.08	180	7.08	180
	12	32.00	813	27.00	680	27.88	708	26.90	683								
	20 ▲	35.00	889	30.00	762	30.88	784	29.90	759								
	24 ■	35.00	889	30.00	762	30.88	784	29.90	759								
	30 ■	38.00	965	33.00	838	33.88	860	32.90	836								

▲ 1Φ3W only. ■ 3Φ4W only. ★ Factory assembled only.

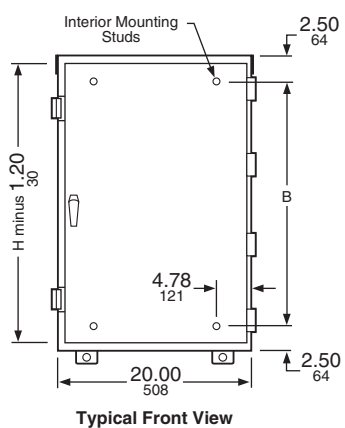
NQOD Circuit Breaker Panelboards Legacy Product Catalog

For Reference Only

Dimensions

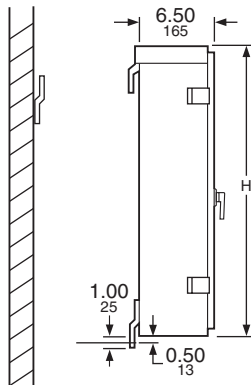


Indoor—Type 1 Enclosure

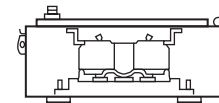


Typical Front View

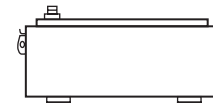
Outdoor—Type 3R Enclosure



Typical Side View with Mounting Provisions



Typical Mounting of QO, QOB Circuit Breakers



Typical Endwall

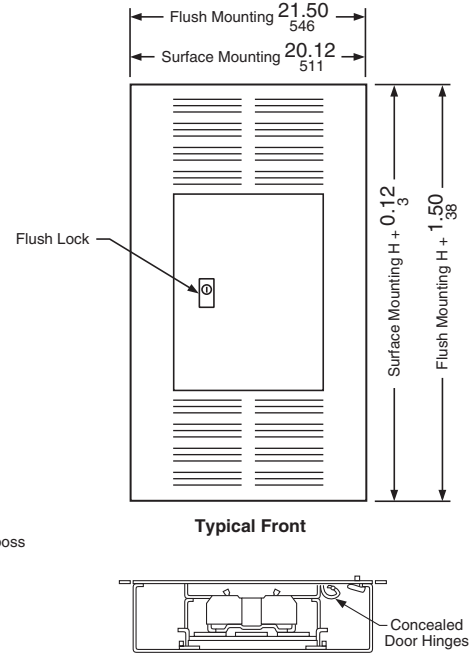
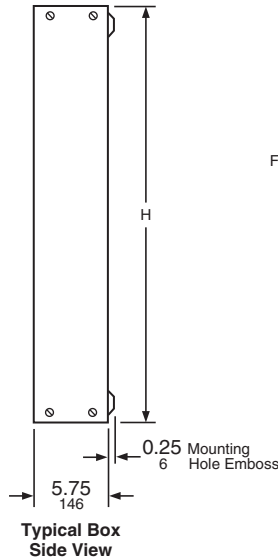
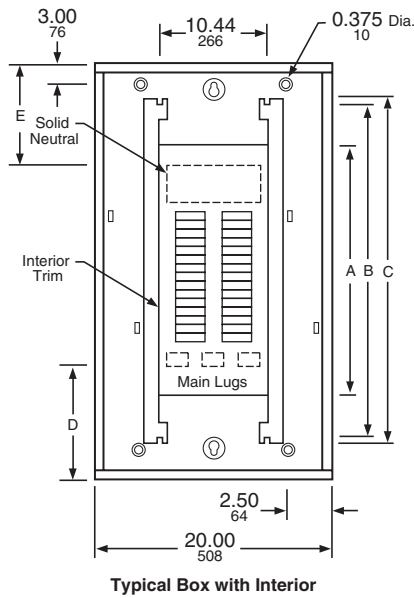
dimensions: INCHES
mm

NOTE: Refer to page 21 for keyhole and endwall detail.

Maximum Main Circuit Breaker Ampere Rating	Maximum Number of Circuits	H Box Height		A Stud Dimension		B Rail Length		C Length of Deadfront		D (from Center Line of CB)		E (from Line Lugs of CB)					
										Top Feed		Bottom Feed		Top Feed		Bottom Feed	
		IN	mm	IN	mm	IN	mm	IN	mm	IN	mm	IN	mm	IN	mm	IN	mm
150 ● HDL, HGL, HJL, HLL	30	44.00	1118	39.00	991	39.88	1013	39.90	1013	14.30	363	14.30	363	11.25	286	11.25	286
	42	50.00	1270	45.00	1143	45.88	1165	44.75	1137	14.30	363	14.30	363	11.25	286	11.25	286
	54	56.00	1422	51.00	1295	51.88	1318	50.75	1289	14.30	363	14.30	363	11.25	286	11.25	286
	72 ★	62.00	1575	57.00	1448	57.88	1470	56.75	1441	14.30	363	14.30	363	11.25	286	11.25	286
225 QBL, QDL, QGL, QJL	30	44.00	1118	39.00	991	39.88	1013	39.90	1013	16.99	432	15.48	393	13.66	347	12.79	325
	42	50.00	1270	45.00	1143	45.88	1165	44.75	1137								
	54	56.00	1422	51.00	1295	51.88	1318	50.75	1289								
	72 ★	62.00	1575	57.00	1448	57.88	1470	56.75	1441								
225/250 ▲ JDL, JGL, JLJ, JLL	30	44.00	1118	39.00	991	39.88	1013	39.90	1013	16.30	414	16.30	414	12.70	323	12.70	323
	42	50.00	1270	45.00	1143	45.88	1165	44.75	1137								
	54	56.00	1422	51.00	1295	51.88	1318	50.75	1289								
	72 ★	62.00	1575	57.00	1448	57.88	1470	56.75	1441								
	84 ★	65.00	1651	60.00	1524	60.88	1546	59.75	1518								

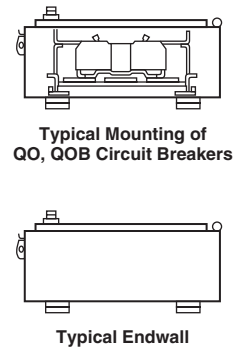
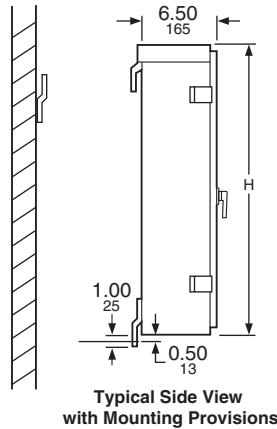
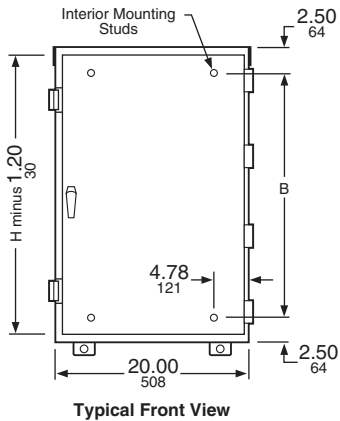
● 150 A available in a 225 A interior. ★ Canada only. ▲ 250 A available factory-assembled only.

NQOD Circuit Breaker Panelboards Dimensions



Indoor—Type 1 Enclosure

Outdoor—Type 3R Enclosure



NOTE: Refer to page 21 for keyhole and endwall detail.

dimensions: INCHES
mm

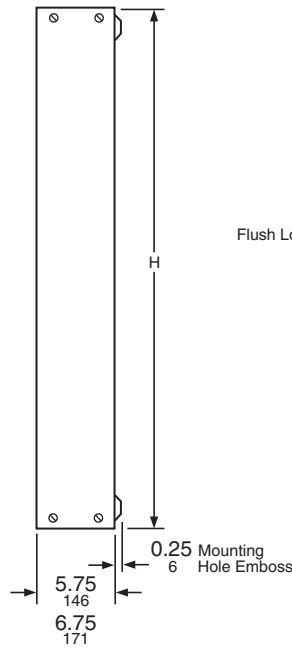
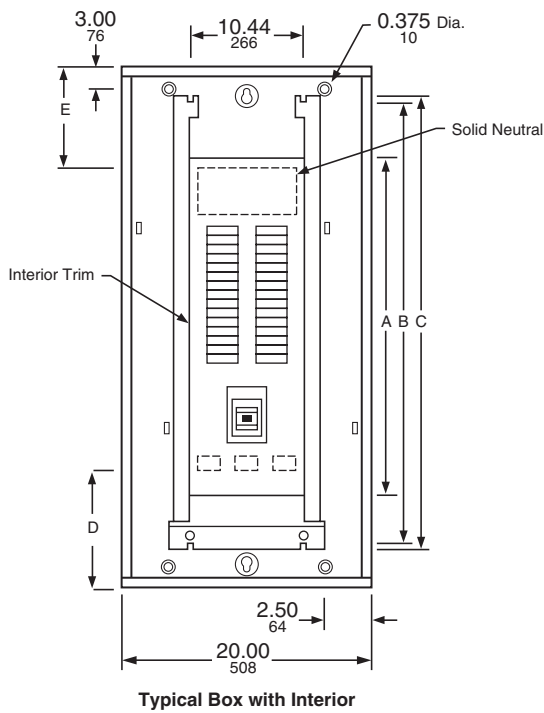
Maximum Main Lug Ampere Rating	Maximum Number of Circuits	H Box Height		A Length of Deadfront		B Stud Dimension		C Rail Length		D MLO Wire Bending		E S/N Wire Bending	
		IN	mm	IN	mm	IN	mm	IN	mm	IN	mm	IN	mm
400	30	50.00	1270	30.75	781	45.00	1143	46.00	1163	15.14	385	14.03	356
	42	53.00	1346	34.50	875	48.00	1219	49.00	1245	14.39	366	13.28	337
	54	59.00	1499	39.75	1010	54.00	1372	55.00	1397	15.14	385	14.03	356
	72 ★	65.00	1651	42.75	1086	60.00	1524	61.00	1549	14.74	374	13.63	346
	84 ★	68.00	1727	47.50	1207	63.00	1600	64.00	1626	14.74	374	13.63	346
600	30	53.00	1346	33.75	857	48.00	1219	49.00	1245	16.43	417	15.32	389
	42	56.00	1422	37.50	953	51.00	1295	52.00	1321	15.63	398	14.57	370
	54	62.00	1575	42.75	1086	57.00	1448	58.00	1473	16.45	417	15.32	389
	72 ★	65.00	1651	42.75	1086	60.00	1524	61.00	1549	14.74	374	13.63	346
	84 ★	68.00	1727	47.50	1207	63.00	1600	64.00	1626	14.74	374	13.63	346

★ Canada only.

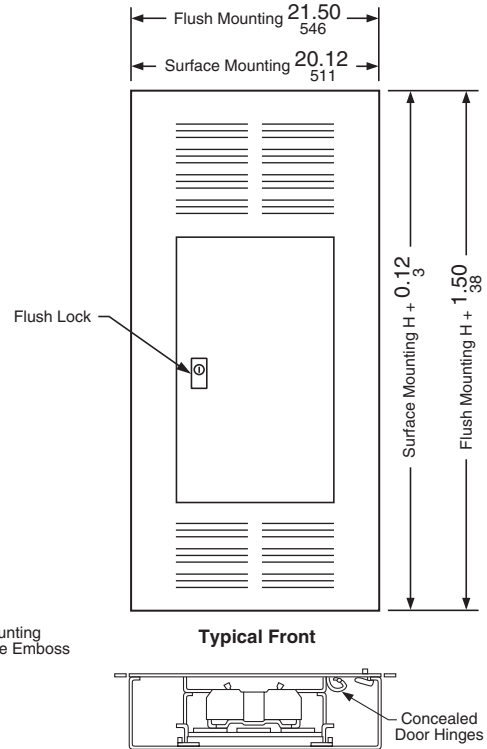
NQOD Circuit Breaker Panelboards Legacy Product Catalog

For Reference Only

Dimensions

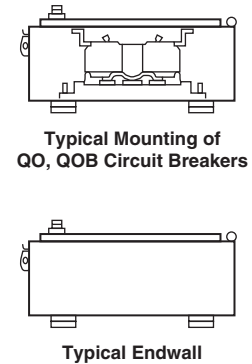
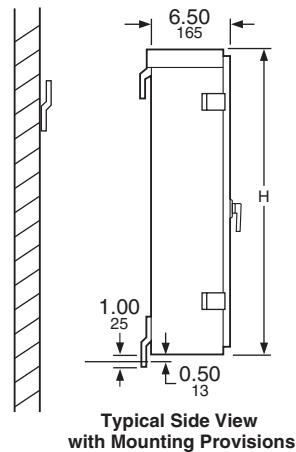
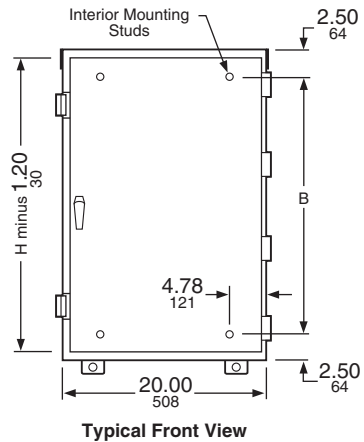


(When Provided with Sub-Feed Breakers)



Indoor—Type 1 Enclosure

Outdoor—Type 3R Enclosure



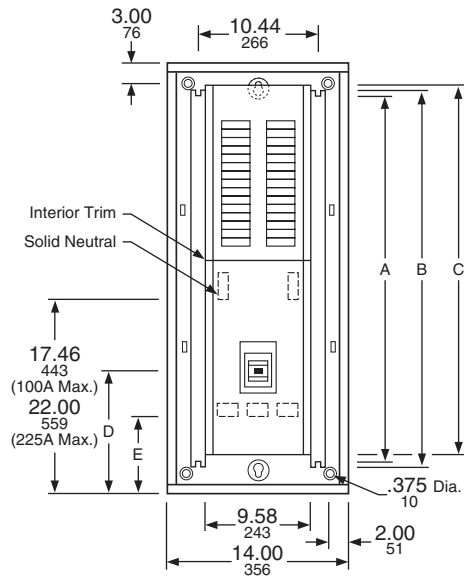
NOTE: Refer to page 21 for keyhole and endwall detail.

dimensions: INCHES
mm

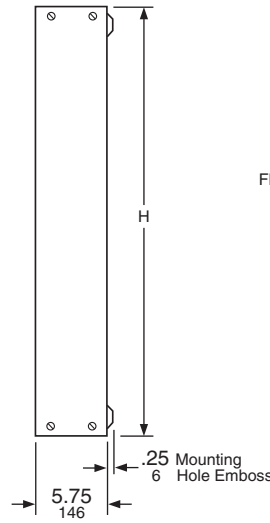
Maximum Main Circuit Breaker Ampere Rating	Maximum Number of Circuits	H Box Height		A Length of Deadfront		B Stud Dimension		C Rail Length		D MLO Wire Bending		E S/N Wire Bending	
		IN	mm	IN	mm	IN	mm	IN	mm	IN	mm	IN	mm
400	30	65.00	1651	42.67	1084	60.00	1524	61.00	1549	15.26	388	14.03	356
	42	68.00	1727	46.42	1179	63.00	1600	64.00	1626	14.51	369	13.28	337
	54	74.00	1880	51.67	1312	69.00	1753	70.00	1778	15.26	388	14.03	356
	72 ★	80.00	2032	51.67	1312	75.00	1905	76.00	1930	13.55	344	13.63	346

★ Canada only.

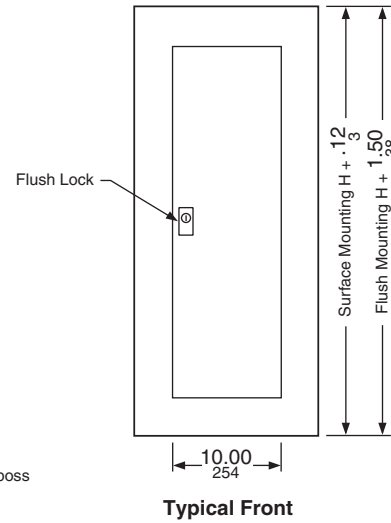
NQOD Circuit Breaker Panelboards Dimensions



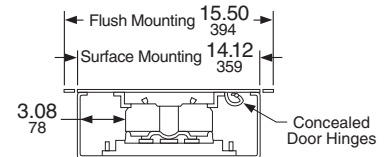
Typical Box with Interior



Typical Box Side View



Typical Front



Typical Mounting of QO or QOB Circuit Breakers

NOTE: Refer to page 21 for keyhole and endwall detail.

dimensions: INCHES
mm

Indoor—Type 1 Enclosure

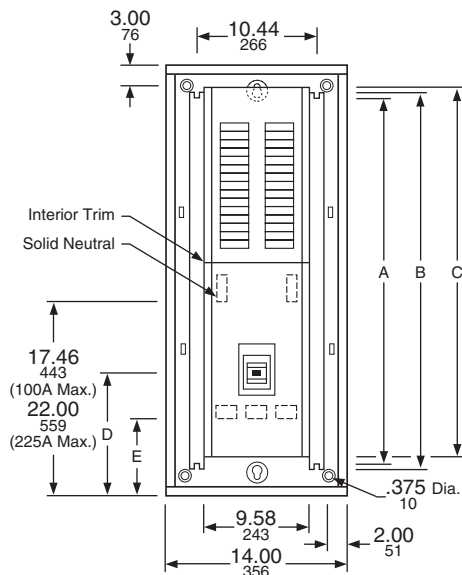
Maximum Main Circuit Breaker Ampere Rating	Maximum Number of Circuits	H Box Height		A Length of Deadfront		B Stud Dimension		C Rail Length		D (from Center Line of CB)		E (from Line Lugs of CB)					
		IN	mm	IN	mm	IN	mm	IN	mm	Top Feed		Bottom Feed					
										IN	mm	IN	mm	IN	mm	IN	mm
100 FAL ★, FHL ★	12	32.00	813	27.00	686	27.88	708	26.90	683	11.82	300	10.06	256	8.08	205	8.08	205
	20 ▲	35.00	889	30.00	762	30.88	784	29.90	759								
	24 ■	35.00	889	30.00	762	30.88	784	29.90	759								
	30 ■	38.00	965	33.00	838	33.88	860	32.90	836								
100 FIL ★	12	32.00	813	27.00	686	27.88	708	26.90	683	10.08	256	10.08	256	7.08	180	7.08	180
	20 ▲	35.00	889	30.00	762	30.88	784	29.90	759								
	24 ■	35.00	889	30.00	762	30.88	784	29.90	759								
	30 ■	38.00	965	33.00	838	33.88	860	32.90	836								
150 HDL, HGL, HJL, HLL ★	30	44.00	1118	39.00	991	39.88	1013	39.90	1013	14.30	363	14.30	363	11.25	286	11.25	286
	42	50.00	1270	45.00	1143	45.88	1165	44.75	1137	14.30	363	14.30	363	11.25	286	11.25	286
	54	56.00	1422	51.00	1295	51.88	1318	50.75	1289	14.30	363	14.30	363	11.25	286	11.25	286
225 QBL, QDL, QGL, QJL	30	44.00	1118	39.00	991	39.88	1013	39.90	1013	16.99	432	15.48	393	13.66	347	12.79	325
	42	50.00	1270	45.00	1143	45.88	1165	44.75	1137								
	54	56.00	1422	51.00	1295	51.88	1318	50.75	1289								
225 JDL, JGL, JLJ, JLL	30	44.00	1118	39.00	991	39.88	1013	39.90	1013	16.30	414	16.30	414	12.70	323	12.70	323
	42	50.00	1270	45.00	1143	45.88	1165	44.75	1137								
	54	56.00	1422	51.00	1295	51.88	1318	50.75	1289								

▲ 1Φ3W only.
■ 3Φ4W only.
★ Factory-assembled only.

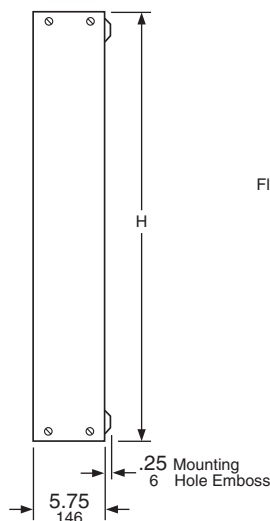
NQOD Circuit Breaker Panelboards Legacy Product Catalog

For Reference Only

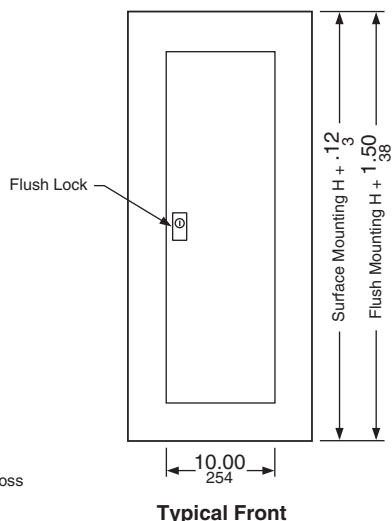
Dimensions



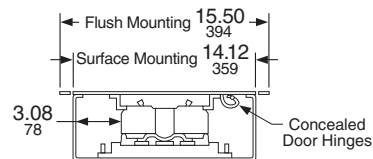
Typical Box with Interior



Typical Box Side View



Typical Front



Typical Mounting of QO or QOB Circuit Breakers

NOTE: Refer to page 21 for keyhole and endwall detail.

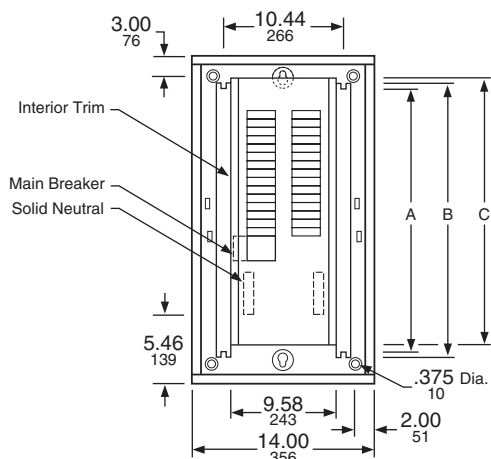
dimensions: INCHES
mm

Indoor—Type 1 Enclosure

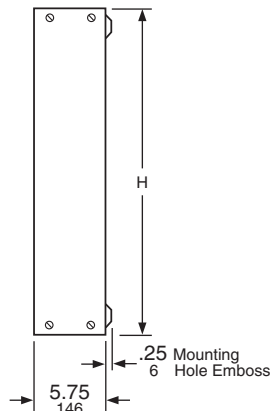
Maximum Main Lug Ampere Rating	Maximum Number of Circuits	H Box Height		A Length of Deadfront		B Stud Dimension		C Rail Length		D MLO Wire Bending		E S/N Wire Bending	
		IN	mm	IN	mm	IN	mm	IN	mm	IN	mm	IN	mm
100	12	20.00	508	14.90	378	15.00	381	15.88	403	6.89	175	5.46	139
	20 ▲	23.00	584	17.90	455	18.00	457	18.88	480	6.89	175	5.46	139
	24 ■	23.00	584	17.90	455	18.00	457	18.88	480	6.89	175	5.46	139
	30 ■	26.00	660	20.90	531	21.00	533	21.88	556	6.89	175	5.46	139
225	30	32.00	813	26.90	683	27.00	686	27.88	708	11.43	290	10.00	254
	42	35.00	889	29.90	759	30.00	762	30.88	784	8.43	214	7.00	178
	54	41.00	1041	35.90	912	36.00	914	36.88	937	8.43	214	7.00	178

▲ 1Ø3W only.
■ 3Ø4W only.

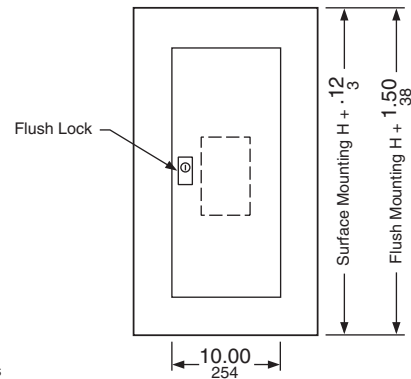
NQOD Circuit Breaker Panelboards Dimensions



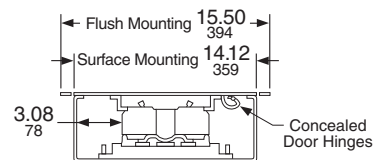
Typical Box with Interior



Typical Box Side View



Typical Front



Typical Mounting of
QO or QOB Circuit Breakers

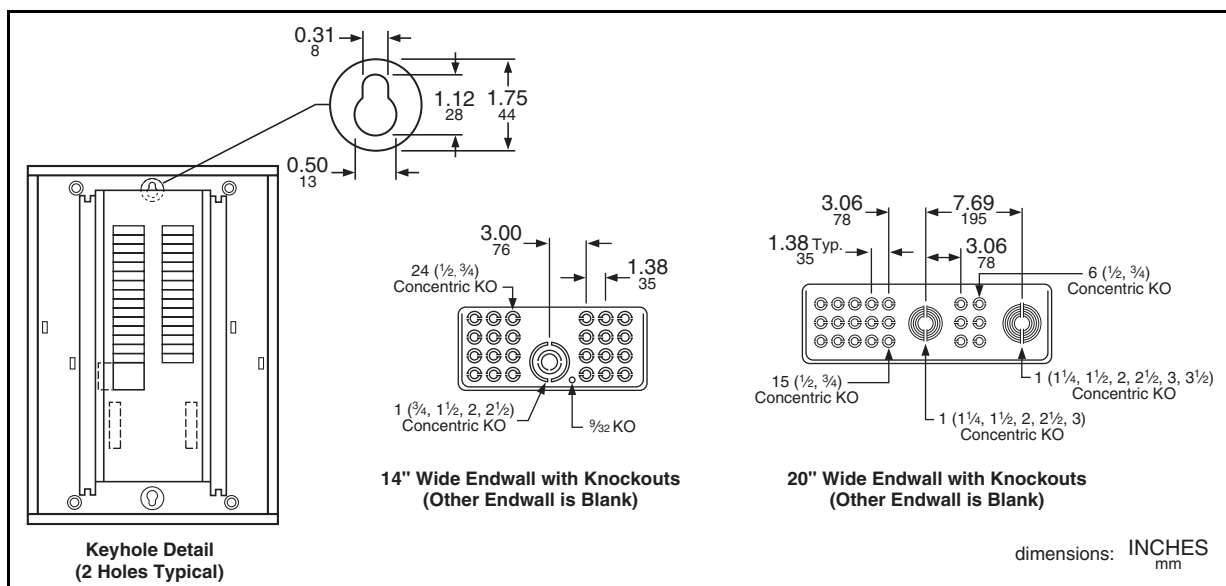
dimensions: INCHES
mm

NOTE: Refer to page 21 for keyhole and endwall detail.

Indoor—Type 1 Enclosure

Maximum Main Circuit Breaker Ampere Rating	Maximum Number of Circuits	H Box Height		A Length of Deadfront		B Stud Dimension		C Rail Length	
		IN	mm	IN	mm	IN	mm	IN	mm
100	12	23.00	584	18.00	457	18.88	480	17.90	455
	20 ▲	26.00	660	21.00	533	21.88	556	20.90	531
	24 ■	26.00	660	21.00	533	21.88	556	20.90	531
	30 ■	29.00	737	24.00	610	24.88	632	23.90	607

▲ 1φ3W only.
■ 3φ4W only.

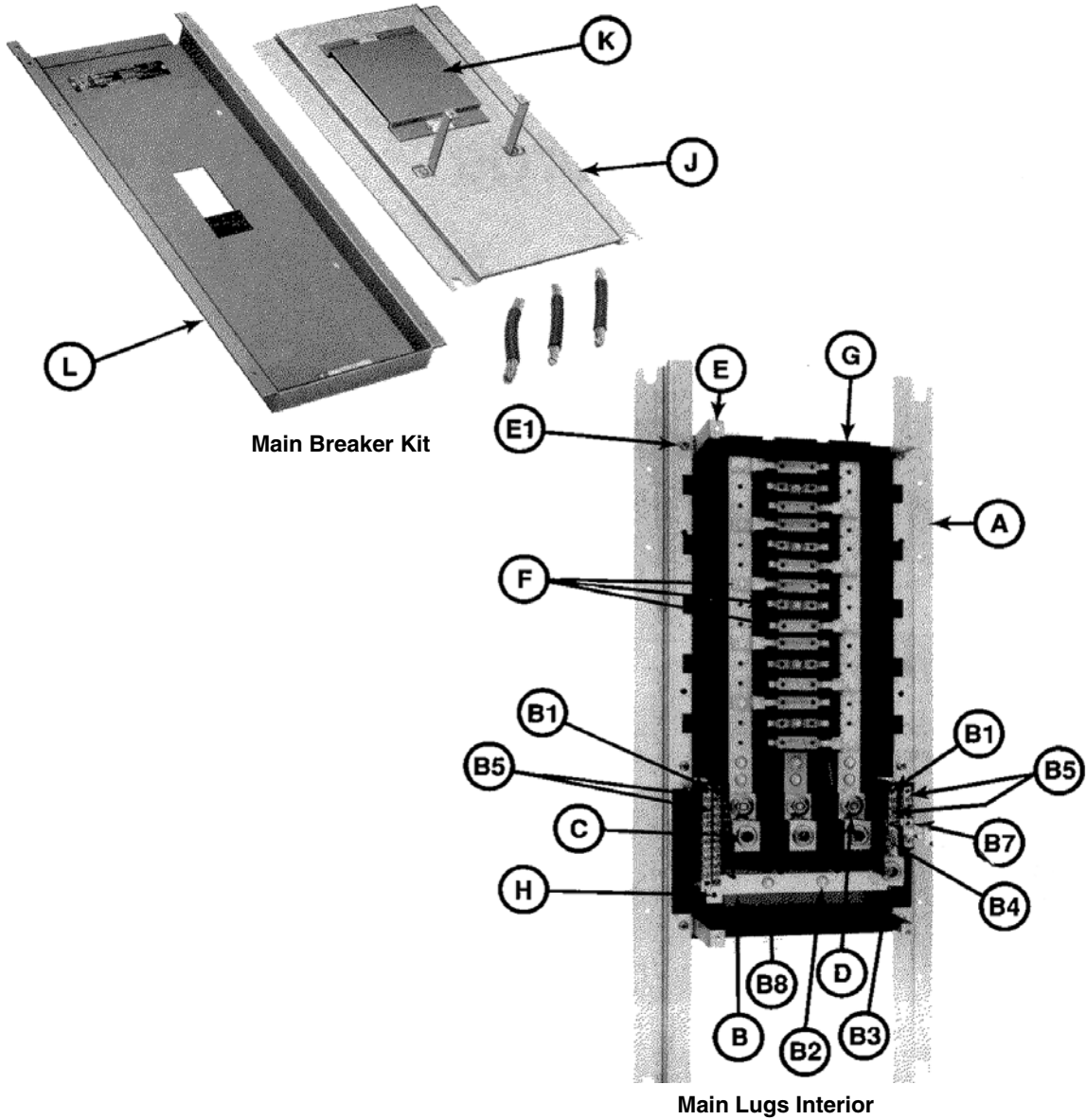


Keyhole and Endwall Detail

dimensions: INCHES
mm

REPLACEMENT PARTS

Main Lugs and Main Breaker—225 A Maximum



NQOD Circuit Breaker Panelboards Replacement Parts

Ordering Instructions: Specify quantity, part number, description of part; copy catalog number from panelboard nameplate.
For example: (1)80110-201-50 Neutral Assembly for NQOD interior catalog number NQOD12L100CU.

Letter Code	Description	Part Number
A	Interior Catalog Number	See Table Below
①	Elevating Screws (10-32 x .875)	(4) 80114-005-01
B	Neutral Assembly:	See Table Below
B1	Screw for Mounting Neutral to Insulator (8-18 x 3/4)	(2) 21533-08240
B2	Screw for Mounting Neutral to Insulator (8-32 x .44)	(2) 80110-233-01
B3	Neutral Lug 100 A (#6-2/0 Al, 10-2/0Cu) 225 A (#6-300 kcmil)	80110-194-01 40251-162-51
B4	Keps Nuts, Neutral Lug Mounting 100 A (5/16-18) 225 A (5/16-18)	23427-02200 23427-02200
B5	Neutral Bars 3 Circuit Al 6 Circuit Al 10 Circuit Al 13 Circuit Al	80120-805-62 80120-805-79 80120-805-80 80120-805-83
B7	Screw for Mounting Neutral Bar to Neutral (8-32 x 5/8)	21590-00001
B8	Neutral Insulator	80110-095-01

Letter Code	Description	Part Number
C	Main Lug/Wire Binding Screw: 100 A (6-2/0 Al, 10-2/0 Cu) 225 A (#6-300 kcmil)	40251-194-01 40251-162-51
D	Keps Nut, Main Lug Mounting: 100 A (5/16-18) 225 A (5/16-18)	23427-02200 23427-02200
①	Interior Trim Screw, Trim Jointing/Mounting (10-32 x 7/16)	See Table Below 80025-067-01
E	Trim Mounting Bracket Screw, Trim Bracket Mounting	(4) 80110-007-01 (2) 21962-10280
E-1		
F	Branch Connectors, 3-Pole	SKNQOD225
G	Endcap Insulator	80110-004-02
H	Neutral Bonding Strap Assembly	80116-121-50
①	Circuit Number Strips	See page 25
①	Trim Mounting Screws	40205-130-01

Interiors, Solid Neutrals, Interior Trims

Letter Code	Description	Part Number										
		1-12 Circuits	13-20 Circuits	21-24 Circuits	25-30 Circuits	31-42 Circuits	43-54 Circuits	55-72 Circuits ★	73-84 Circuits ★			
A	Interior Catalog Number	1Ø3W;	100 A	—	NQOD20L100/ NQOD20M100	—	—	—	—	—	—	—
			NQOD12L100CU NQOD12M100CU	—	NQOD20L100CU/ NQOD20M100CU	—	—	—	—	—	—	—
		225 A	—	—	—	NQOD30L225 NQOD30L225CU	NQOD42L225 NQOD42L225CU	—	NQOD72L225 NQOD72L225CU	NQOD84L225 NQOD84L225CU	—	—
		3Ø4W;	100 A	—	—	NQOD424L100 NQOD424M100	NQOD430L100 NQOD430M100	—	—	—	—	—
	225 A	—	—	—	NQOD424L100CU NQOD424M100CU	NQOD430L100CU NQOD430M100CU	—	—	—	—	—	
	100 A	80110-201-75	80110-201-75	80110-201-75	80110-201-75	—	—	—	—	—	—	
	225 A	—	—	—	80110-201-75	80110-201-78	80110-201-78	80110-201-78	80110-201-78 80116-169-50	80110-201-78 80116-169-50	—	
	①	Interior Deadfront Trim:	Main Breaker ②	100 A 1Ø	80110-059-01	80110-059-02	—	—	—	—	—	—
100 A 3Ø				80110-059-05	—	80110-059-03	80110-059-04	—	—	—	—	—
Main Lugs End			100 A	80110-042-01	80110-042-01	80110-042-01	80110-042-01	—	—	—	—	—
			225 A	—	—	—	80110-045-02	80110-045-01	80110-045-01	80110-045-01	80110-045-01	80110-045-01
Branch End			100 A	80110-041-01	80110-041-02	80110-041-03	80110-041-04	—	—	—	—	—
			225 A	—	—	—	80110-044-01	80110-044-02	80110-044-03	80110-044-04	80110-044-05	—

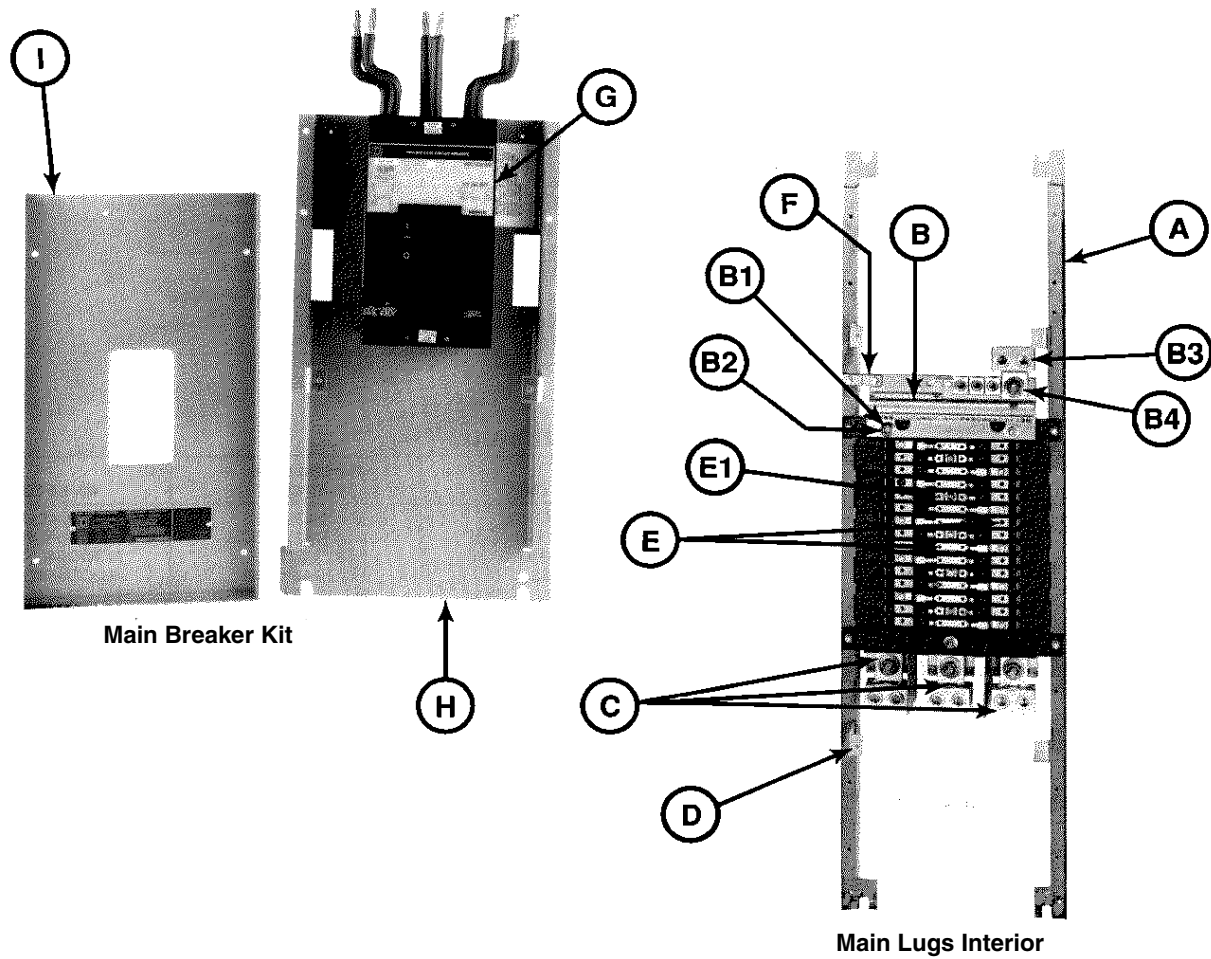
Main Breaker

Letter Code	Description	Part Number
	Main Breaker Kit	100 A Breaker ③ NQODQB NQODKA NQODJK
①	Main Breakers	Factory-Assembled, QOB Select Appropriate Main Breaker from Digest
J	Main Breaker Mounting Pan	80110-013-01 80110-013-01 80110-013-02
K	Main Breaker Subpan Assembly	80110-092-50 — 80016-275-01
L	Main Breaker Trim	80110-046-01 80110-091-50 80110-091-50
	Mounting Bracket, Trim Mounting Screw, Trim	(2) 80110-007-02 (2) 80110-007-02 (2) 80110-007-02 (2) 80025-067-01 (2) 80025-067-01 (2) 80025-067-01
	Replacement Hardware Kit (Bolts, Nuts, Washers)	80110-236-50 80110-235-50 —

- ① Not shown.
② 100 A main breaker panels require only one trim. Main lug panels require two trims; mains end and branch end.
③ 100 A main breaker is backfed.
★ Canada only.
Note: Number in parentheses, (e.g., (2)) indicates quantity required.

NQOD Circuit Breaker Panelboards Legacy Product Catalog
 Replacement Parts
 For Reference Only

Main Breaker—400 A Maximum; Main Lugs—600 A Maximum



Ordering Instructions: Specify quantity, part number, description of part; copy catalog number from panelboard nameplate. For example: (1)80110-808-51 Neutral Assembly for NQOD interior catalog number NQOD30L400.

400 A and 600 A Maximum

Letter Code	Description	Part Number
A	Interior Catalog Number	See Table Below
①	Keps Nut (5/16-18), Interior Mounting	(4) 23220-00003
B	Neutral Assembly:	See Table Below
B1	Bolt, 5/16-18 x 2; Neutral Mounting	21401-22640
B2	Keps Nut, (5/16-18), Neutral Mounting	23427-02200
B3	S/N Lug Assembly	
	400 A (750 kcmil)	40251-136-50
	600 A (750 kcmil)	80116-122-50
B4	Keps Nut, S/N Lug Assembly (1/2-13)	23427-02800
C	Main Lug Assemblies	
	400 A (750 kcmil)	42051-136-50
	600 A (750 kcmil)	80116-122-50
①	Interior Trim, Branch End	See Table Below
	Main Lugs End	80110-630-01
	Screw, Trim Joint/Mounting	80025-067-01
D	Mounting Bracket, Interior Trim	80110-604-01
	Screw, Bracket Mounting (10-32 x 7/16)	80025-067-01
E	Branch Connector, AØ and CØ	80110-600-01
E1	Branch Connector, BØ	80110-601-01
	Screw, Branch Connector	80110-802-01
F	Neutral Bonding Strap Assembly	80110-605-01
①	Circuit Number Strips	See Miscellaneous Table Below

Main Lug Panelboards

Letter Code	Description	Part Number				
		1-30 Circuits	31-42 Circuits	43-54 Circuits	55-72 Circuits ★	73-84 Circuits ★
A	Interior Catalog Numbers					
	1Ø3W; 400 A	NQOD30L400	NQOD42L400	NQOD54L400	NQOD72L400	NQOD84L400
	400 A	NQOD30L400CU	NQOD42L400CU	NQOD54L400CU	NQOD72L400CU	NQOD84L400CU
	600 A	NQOD30L600	NQOD42L600	NQOD54L600	NQOD72L600	NQOD84L600
	3Ø4W; 400 A	NQOD430L400	NQOD442L400	NQOD454L400	NQOD472L400	NQOD484L400
	400 A	NQOD430L400CU	NQOD442L400CU	NQOD454L400CU	NQOD472L400CU	NQOD484L400CU
	600 A	NQOD430L600	NQOD442L600	NQOD454L600	NQOD472L600	NQOD484L600
B	Solid Neutral Assembly (Lugs Not Included)	80110-808-51	80110-808-50	80110-808-50	80110-411-50	80110-411-50
①	Interior Deadfront Trim					
	Branch End	400 A 80110-633-02	80110-634-02	80110-635-02	80116-128-01	80110-406-02
	Branch End	600 A 80110-646-02	80110-647-02	80110-648-02	80116-128-01	80110-406-02
	Main Lugs End	400/600 A 80110-630-01	80110-630-01	80110-630-01	80110-630-01	—

Main Breaker Kit

Letter Code	Description	Part Number
	Main Breaker Kit	NQOD
G	Main Breaker	Select Q4, LA, or LH Breaker from Digest
H	Main Breaker Mounting Pan	80110-632-01
I	Main Breaker Trim	80110-631-02
①	Replacement Hardware Kit	80110-863-50

Miscellaneous

Letter Code	Description	Part Number
①	Endwalls (Type MH):	
	Blank	80110-105-01
	With Knockouts	80110-104-01
①	Circuit Directory Cards (5-2/3 in. Wide)	80031-158-01
	Numbers (1-54)	80031-158-02
	Numbers (43-96)	
①	Plastic Stick-On Pouch (5-2/3 in. Wide)	80031-159-01
①	Circuit Number Description	
	1-96	80043-295-03

① Not shown.
★ Canada only.
Note: Number in parentheses, (e.g., (4)) indicates quantity required.

Legacy Product Catalog
For Reference Only

Legacy Product Catalog
For Reference Only

Legacy Product Catalog
For Reference Only

Schneider Electric USA

252 North Tippecanoe
Peru, IN 46970 USA
1-888-SquareD
(1-888-778-2733)
www.us.SquareD.com

Schneider Electric Canada

19 Waterman Avenue,
M4B 1 Y2
Toronto, Ontario
1-800-565-6699
www.schneider-electric.ca

1630CT9701R10/04 © 1998–2005 Schneider Electric All Rights Reserved
Replaces 16930CT9701R2/03 dated 02/2003