



Atlanta, Georgia

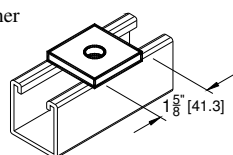
Phone 800-521-7326

Fax 770-745-1333

"F" Flat Fittings EG Electro Galvanized (Zinc Plated)

F09 THRU F15

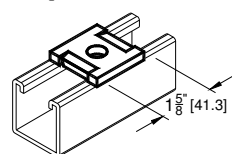
Square Washer



Catalog Number	Bolt Size		Hole Size		Model #
	Inch	mm	Inch	mm	
F10 0025EG	1/4	6	5/16	7.9	F10
F09 0031EG	5/16	7	3/8	9.5	F09
F11 0037EG	3/8	8	7/16	11.1	F11
F12 0050EG	1/2	12	9/16	14.3	F12
F13 0062EG	5/8	16	11/16	17.5	F13
F14 0075EG	3/4	20	13/16	20.6	F14
F15 0087EG	7/8	22	15/16	23.8	F15

F20 THRU F24

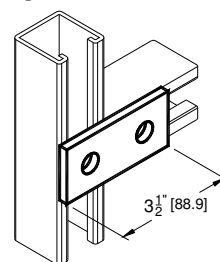
Notched Square Washer



Catalog Number	Bolt Size		Model #
	Inch	mm	
F20 0025EG	1/4	6	F20
F21 0037EG	3/8	8	F21
F22 0050EG	1/2	12	F22
F23 0062EG	5/8	16	F23
F24 0075EG	3/4	20	F24

F30

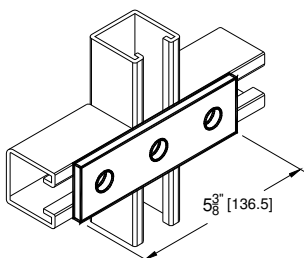
2 Hole Splice Plate



Catalog Number F30 0000EG

F31

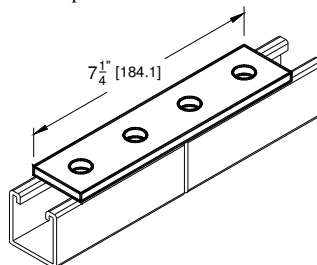
3 Hole Splice Plate



Catalog Number F31 0000EG

F32

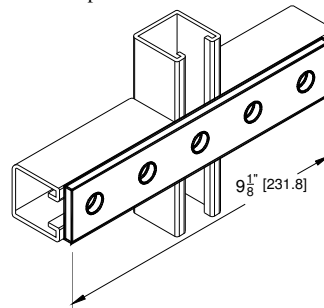
4 Hole Splice Plate



Catalog Number F32 0000EG

F33

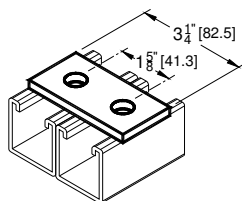
5 Hole Splice Plate



Catalog Number F33 0000EG

F34

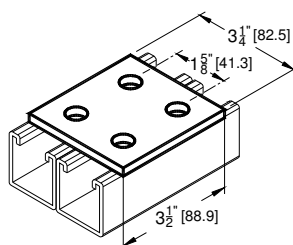
2 Hole Parallel Splice Plate



Catalog Number F34 0000EG

F35

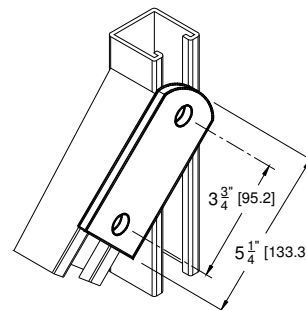
4 Hole Parallel Splice Plate



Catalog Number F35 0000EG

F40

2 Hole Swivel Plate

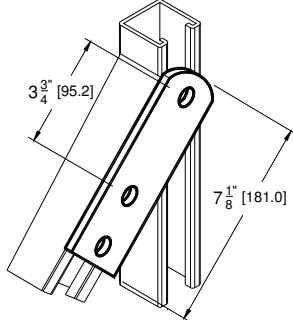


Catalog Number F40 0000EG

Material is 1-5/8" [41.3] wide x 1/4" [6.3] thick unless specified. Holes are 9/16" (14.3) diameter, 13/16" [20.6] center to edge on 1-7/8" [47.6] centers unless specified.

F41

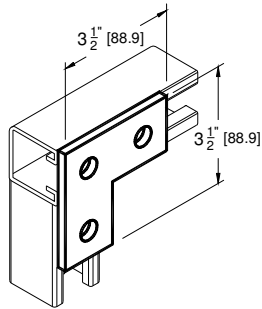
3 Hole Swivel Plate



Catalog Number F41 0000EG

F50

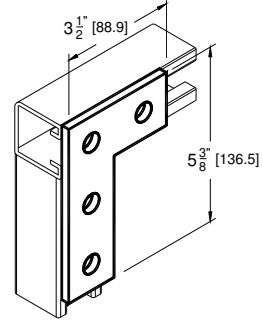
3 Hole Corner Plate



Catalog Number F50 0000EG

F51

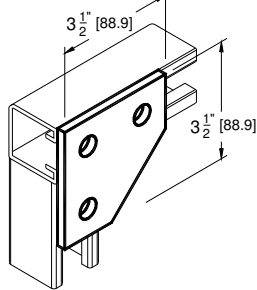
4 Hole Corner Plate



Catalog Number F51 0000EG

F52

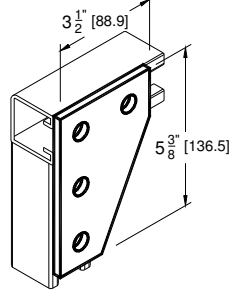
3 Hole Corner Gusset Plate



Catalog Number F52 0000EG

F53

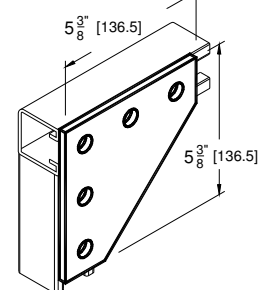
4 Hole Corner Gusset Plate



Catalog Number F53 0000EG

F54

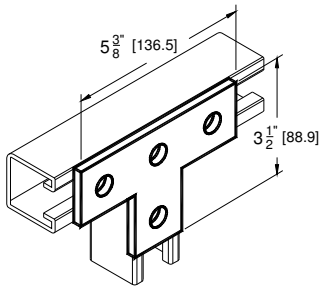
5 Hole Corner Gusset Plate



Catalog Number F54 0000EG

F60

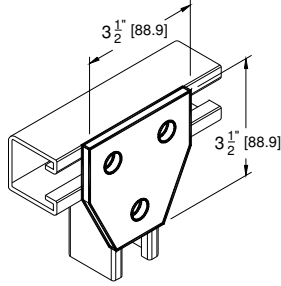
4 Hole Tee Plate



Catalog Number F60 0000EG

F61

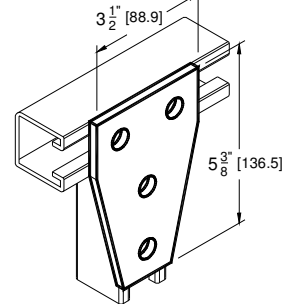
3 Hole Tee Gusset Plate



Catalog Number F61 0000EG

F62

4 Hole Tee Gusset Plate

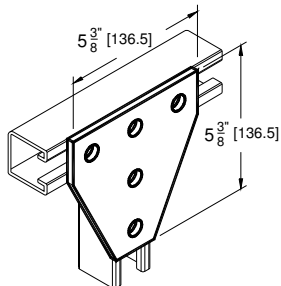


Catalog Number F62 0000EG

Material is 1-5/8" [41.3] wide x 1/4" [6.3] thick unless specified. Holes are 9/16" [14.3] diameter, 13/16" [20.6] center to edge on 1-7/8" [47.6] centers unless specified.

F63

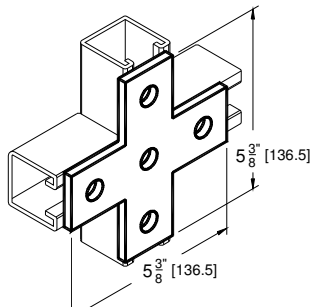
5 Hole Tee Gusset Plate



Catalog Number F63 0000EG

F70

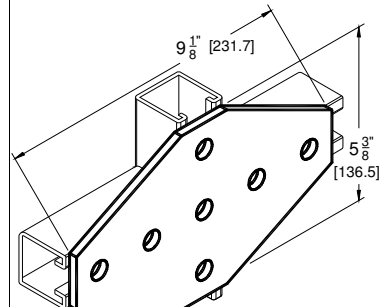
5 Hole Cross Plate



Catalog Number F70 0000EG

F71

7 Hole Cross Gusset Plate



Catalog Number F71 0000EG