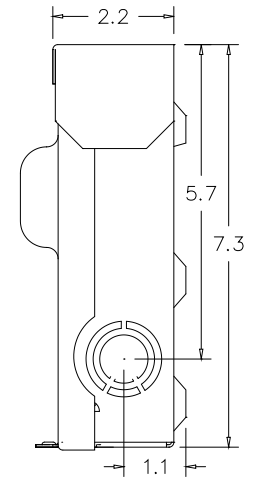
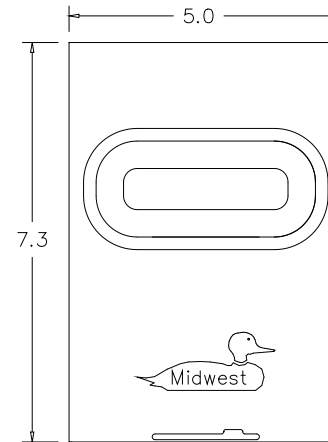
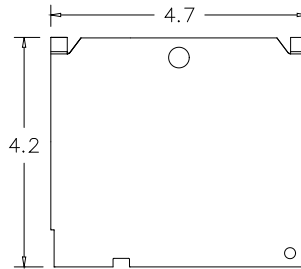
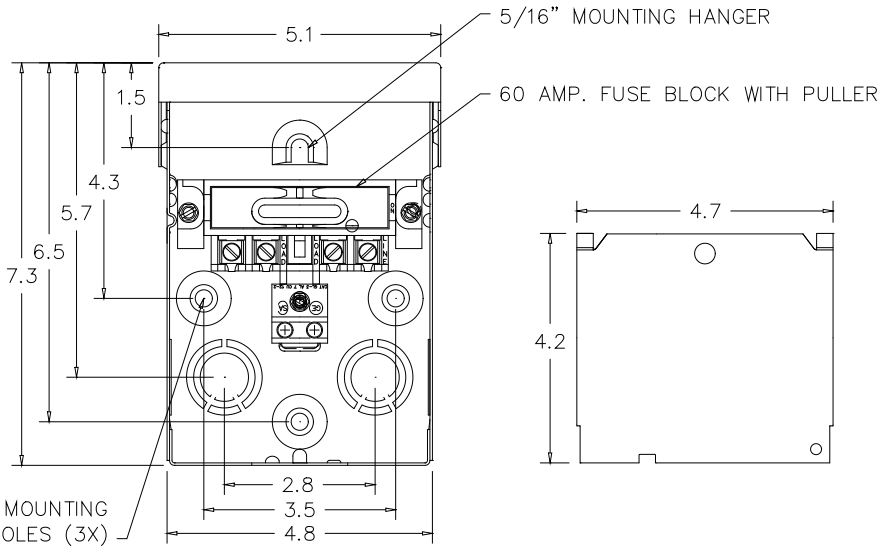
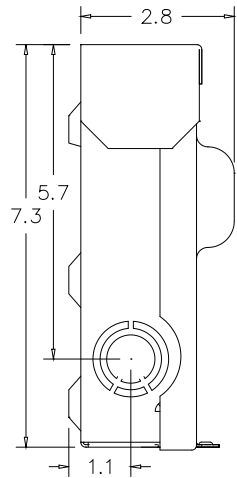
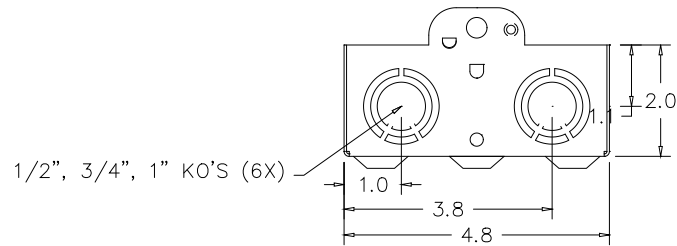


WIRE RANGE TABLE D:

CONNECTOR	COPPER		ALUMINUM	
	SOLID	STRAND	SOLID	STRAND
LINE	14-8	14-2	12-8	12-2
LOAD	14-8	14-2	12-8	12-2
NEUTRAL	-----	-----	-----	-----
EQUIP. GRND.	12-8	12-2	12-8	12-2



5/16" MOUNTING HOLES (3X)



SH1

MIDWEST ELECTRIC PRODUCTS, INC.  
Mankato, MN

Dr. By: JDE  
Ck. By:  
CR: R0746662

\* = Critical To Quality  
Unless Otherwise Specified

AutoCad Generated

Tolerances On:  
3 Pl. Decimals ± .010  
2 Pl. Decimals ± .030  
Fractions ± 1/32  
Angles ± 1/2°  
Holes ± .003  
Dimensions Are In Inches

SCALE 1 : 1  
SIZE A

SHEET 1 OF 1

TITLE: U065P  
OUTLINE DRAWING

DWG NO: 265A6313

Rev.1 CR R0746662 JDE 1-11-08